

JST-IPD-1911

IP Desktop

Professional USB desktop controllers •
non-contacting Hall effect technology



DISTINCTIVE FEATURES

- Three axis for PTZ control
- USB 2.0 HID compliant “game controller”
- Programmable pushbutton switches
- Easy to install and operate
- Available in two color options



ENVIRONMENTAL SPECIFICATIONS

- Operating Temperature: -25 °C to +85 °C (-13 °F to +185 °F)
- Storage Temperature: -25 °C to +85 °C (-13 °F to +185 °F)
- Sealing: None
- EMC Immunity Level: CE compliant, EMC directive 2004/108/EC, FCC Part 15 Subpart B, Class B
- EMC Immunity Level: CE compliant, EMC directive 2004/108/EC, FCC Part 15 Subpart B, Class B



MECHANICAL SPECIFICATIONS

- Operating Force: 2.8 N (0.63 lbf)
- Maximum Vertical Load: 200 N (45 lbf)
- Maximum Horizontal Load: 200 N (45 lbf)
- Mechanical Angle of Movement: 36° X & Y axis, 80° Z axis
- Expected Mechanical Life: 3 million lifecycles
- Mass/weight: 440 g (0.97 oz)
- Lever Action (centering): Spring



MATERIALS

- Body: ABS
- Shaft: Stainless steel
- Boot: Silicone
- Handle: Glass filled nylon

The company reserves the right to change specifications without notice.



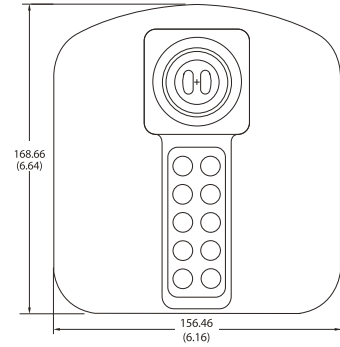
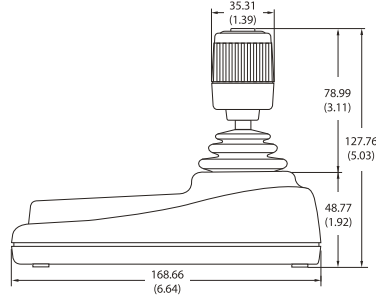
JOYSTICKS

APEM

IP desktop

Professional USB desktop controllers •
non-contacting Hall effect technology

DIMENSIONS



NOTES:

Dimensions are in mm/(inch).

To order the IP Desktop please refer to the following part numbers:

100550BLKRF (Black)

100550GRYRF (Gray).

Headquarter Switzerland:
Angst+Pfister Sensors and Power AG

Thurgauerstrasse 66
CH-8050 Zurich
Phone +41 44 877 35 00
sensorsandpower@angst-pfister.com

Office Germany:
Angst+Pfister Sensors and Power
Deutschland GmbH
Edisonstraße 16
D-85716 Unterschleißheim
Phone +49 89 374 288 87 0
sensorsandpower.de@angst-pfister.com



We are here for you. Addresses and Contacts.

Sales Germany & Austria

Geometrical sensors
Other products

Kurt Stritzelberger
Phone +49 89 374 288 87 22
kurt.stritzelberger@angst-pfister.com

Pressure sensors
Other products

Gerhard Vetter
Phone +49 89 374 288 87 26
gerhard.vetter@angst-pfister.com

Gas sensors and modules

Peter Felder
Phone +41 44 877 35 05
peter.felder@angst-pfister.com

Sales Switzerland & Liechtenstein

Postcode 3000 – 9999

Basil Frei
Phone +41 44 877 35 18
basil.frei@angst-pfister.com

Postcode 1000 – 2999

Christian Mohrenstecher
Phone +41 76 444 57 93
christian.mohrenstecher@angst-pfister.com

Sales International Key Accounts

Peter Felder
Phone +41 44 877 35 05
peter.felder@angst-pfister.com

Sales Other Countries / Product Management

Pressure Sensors
Load Cells

Philipp Kistler
Phone +41 44 877 35 03
philipp.kistler@angst-pfister.com

Gas sensors
Gas sensor modules

Dr. Thomas Clausen
Phone +49 89 374 288 87 24
thomas.clausen@angst-pfister.com

Flow / Level / Medical products

Dr. Adriano Pittarelli
Phone +49 89 374 288 87 67
adriano.pittarelli@angst-pfister.com

Power supplies

Sebastiano Leggio
Phone +41 44 877 35 06
sebastiano.leggio@angst-pfister.com

Linear position sensors
Angle sensors

Eric Letsch
Phone +41 44 877 35 14
eric.letsch@angst-pfister.com

Accelerometers
Sensor elements

Christoph Kleye
Phone +49 89 374 288 87 61
christoph.kleye@angst-pfister.com

Drive technology
CH Postcode 5000 – 9999 / DE

Roman Homa
Phone +41 76 444 00 86
roman.homa@angst-pfister.com

Drive technology
CH Postcode 1000 – 4999 / AT / IT / FR

Christian Mohrenstecher
Phone +41 76 444 57 93
christian.mohrenstecher@angst-pfister.com

Harald Thomas
Phone +49 89 374 288 87 23
harald.thomas@angst-pfister.com