

JST-PC-2012

PC series

Ergonomic pendant controllers •
custom configurable one-handed operation



DISTINCTIVE FEATURES

- Analog and USB output options
- Lightweight one-handed operation
- Configured to order
- Standard configuration with APEM TS Thumbstick and IP series pushbutton



ENVIRONMENTAL SPECIFICATIONS

- Operating Temperature: -40 °C to +85 °C (-40 °F to +185 °F)
- Storage Temperature: -40 °C to +85 °C (-40 °F to +185 °F)



ELECTRICAL SPECIFICATIONS (WHEN CONFIGURATED WITH TS SERIES)

- Supply Voltage Range: 5.00 VDC \pm 0.250 VDC
- Reverse Polarity Max: -10 VDC
- Overvoltage Max: 20 VDC
- Minimum load: 1 Ω
- Return to Center Voltage Tolerance: \pm 200 mV initial



MECHANICAL SPECIFICATIONS

- Operating Force: 3 N \pm 0.5 N (TS); 6 N \pm 2N (IP)
- Maximum Vertical Load: 200 N (45 lbf) (TS)
- Maximum Horizontal Load: 150 N
- Mechanical Angle of Movement: \pm 25°
- Expected Mechanical Life: 1 million lifecycles
- Mass/weight: 226.8 g (8 oz)
- Lever Action (centering): Spring



MATERIALS

- Body: Thermoplastic

The company reserves the right to change specifications without notice.



SUPPORTED PROTOCOLS

- USB HID 1.1 game controller
- DirectX (Gaming Control)
- Uses standard Direct X HID drivers

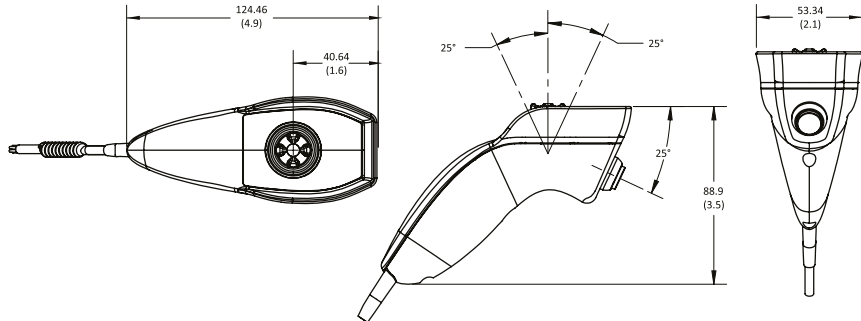
JOYSTICKS

APEM

PC series

Ergonomic pendant controllers • custom configurable one-handed operation

HANDLE DIMENSIONS



STANDARD CONFIGURATIONS

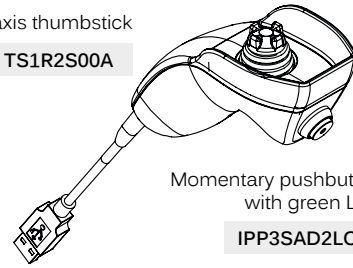
TWO AXIS TS AND MOMENTARY PUSHBUTTON WITH LED



PC 2430

Two axis thumbstick

TS1R2S00A



Momentary pushbutton with green LED

IPP3SAD2LOG

OUTPUT - USB "Game Controller"

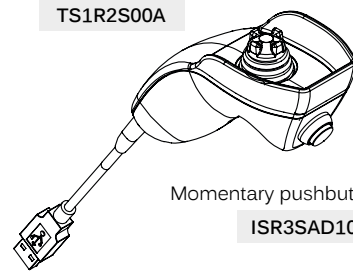
TWO AXIS TS AND MOMENTARY PUSHBUTTON



PC 2441

Two axis thumbstick

TS1R2S00A



Momentary pushbutton

ISR3SAD100

OUTPUT - USB "Game Controller"

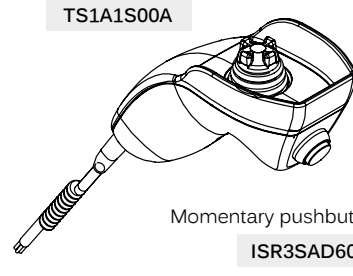
TWO AXIS TS WITH MOMENTARY PUSHBUTTON, COILED CABLE



PC 3566

Two axis thumbstick

TS1A1S00A



Momentary pushbutton

ISR3SAD600

OUTPUT - 0 V to 5 V

We are here for you. Addresses and Contacts.

Headquarter Switzerland:

Angst+Pfister Sensors and Power AG
Thurgauerstrasse 66
CH-8050 Zurich
Phone +41 44 877 35 00
sensorsandpower@angst-pfister.com

Office Germany:

Angst+Pfister Sensors and Power Deutschland GmbH
Edisonstraße 16
D-85716 Unterschleißheim
Phone +49 89 374 288 87 00
sensorsandpower.de@angst-pfister.com

Scan here and get an overview of personal contacts!



sensorsandpower.angst-pfister.com
