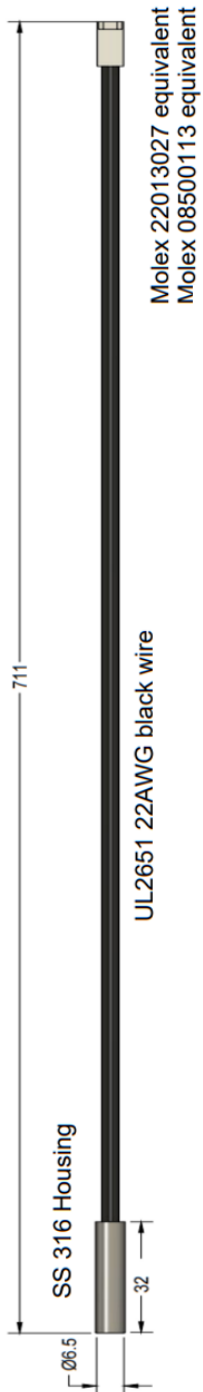
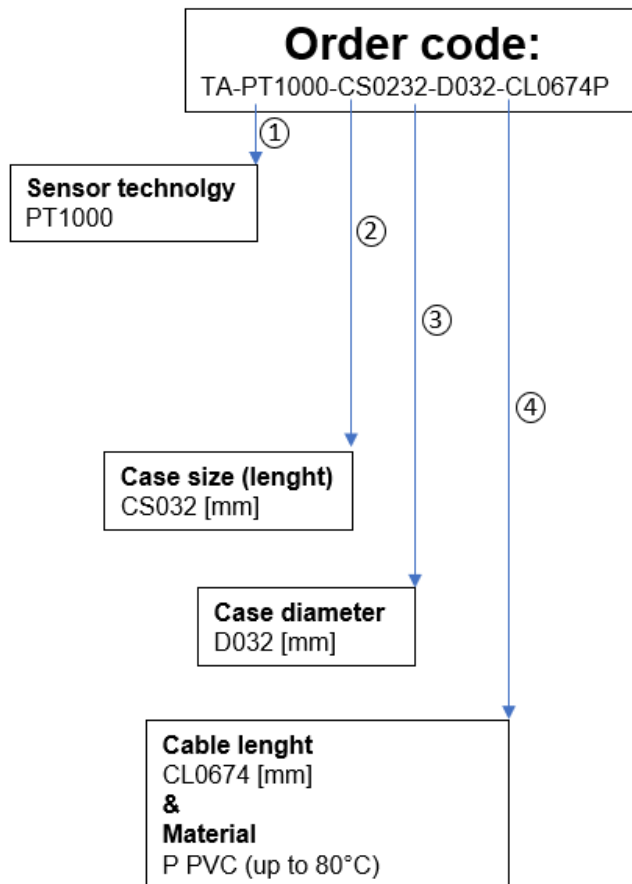


**Assembly with PT1000 temperature sensor**  
**TA-PT1000-CS032-D07-CL0674P**



The sensor was created specifically for applications in which an extremely fast response time with high accuracy was required. In addition, the sensor housing, cable, and everything else can be customized (see order checklist). Contact us directly to offer you the best fitting product.



## Specific data of the sensor assembly

Wire: AWG22

Wire type: UL2641

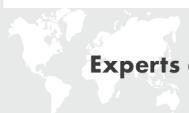
Wire colour: black

Wire length: 674mm

End of wire: Molex connector (see drawing)

Temperature: -20°C to 105°C

Circuitry: 2-Wire



## We are here for you. Addresses and Contacts.

---

### Headquarter Switzerland:

Angst+Pfister Sensors and Power AG  
Thurgauerstrasse 66  
CH-8050 Zurich  
Phone +41 44 877 35 00  
[sensorsandpower@angst-pfister.com](mailto:sensorsandpower@angst-pfister.com)

### Office Germany:

Angst+Pfister Sensors and Power Deutschland GmbH  
Edisonstraße 16  
D-85716 Unterschleißheim  
Phone +49 89 374 288 87 00  
[sensorsandpower.de@angst-pfister.com](mailto:sensorsandpower.de@angst-pfister.com)

---

Scan here and get an overview of personal contacts!



[sensorsandpower.angst-pfister.com](https://sensorsandpower.angst-pfister.com)

---