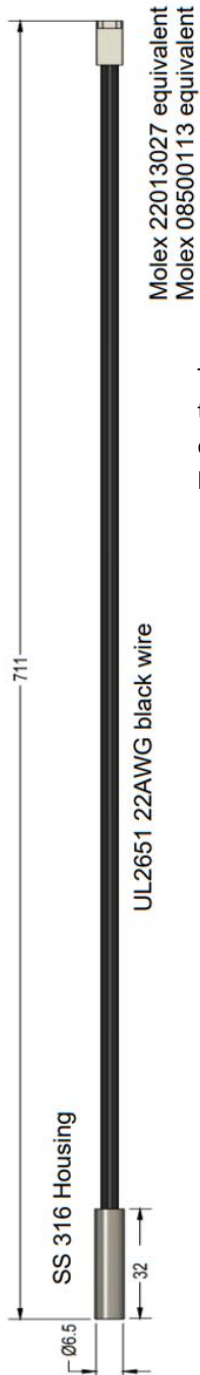
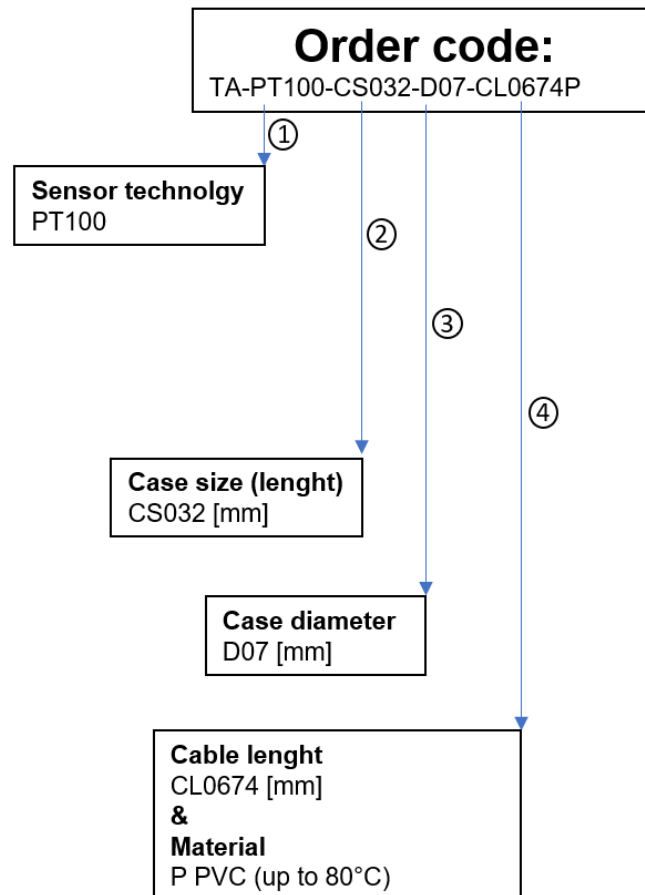


Assembly with PT100 temperature sensor

TA-PT100-CS032-D07-CL0674P



The sensor was created specifically for applications in which an extremely fast response time with high accuracy was required. In addition, the sensor housing, cable, and everything else can be customized (see order checklist). Contact us directly to offer you the best fitting product.



Specific data of the sensor assembly

Wire: AWG22

Wire type: UL2641

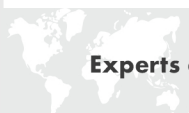
Wire colour: black

Wire length: 674mm

End of wire: Molex connector (see drawing)

Temperature: -20°C to 105°C

Circuitry: 2-Wire



We are here for you. Addresses and Contacts.

Headquarter Switzerland:

Angst+Pfister Sensors and Power AG
Thurgauerstrasse 66
CH-8050 Zurich
Phone +41 44 877 35 00
sensorsandpower@angst-pfister.com

Office Germany:

Angst+Pfister Sensors and Power Deutschland GmbH
Edisonstraße 16
D-85716 Unterschleißheim
Phone +49 89 374 288 87 00
sensorsandpower.de@angst-pfister.com

Scan here and get an overview of personal contacts!



sensorsandpower.angst-pfister.com
