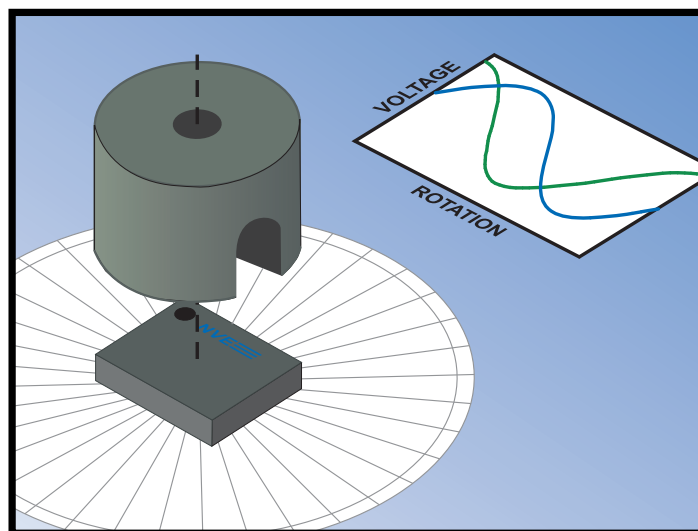




AG93X-07E AAT-Series Angle Sensor Evaluation Kit



- ❑ AG930-07E: AAT001 1.25 M Ω Angle Sensor Evaluation Kit
- ❑ AG931-07E: AAT003 40 K Ω Angle Sensor Evaluation Kit
- ❑ AG933-07E: AAT009 6 M Ω Angle Sensor Evaluation Kit

SB-00-050

NVE Corporation

(800) 467-7141

sensor-apps@nve.com

www.nve.com

Kit Overview

Evaluation Kit Features

- AAT-Series TMR angle sensor
- Part # 12426 split-pole Alnico 5 round horseshoe magnet
- Unity-gain dual op amp buffer
- 1.7 V to 5.5 V supply range
- Magnet locating fixture

AAT-Series Angle Sensor Features

- Tunneling Magnetoresistance (TMR) technology
- High bridge resistance for low power
- 200 mV/V typical output signal
- Low magnetic field requirements
- 1.5% maximum nonsinusoidality error
- Wide magnet airgap tolerance
- Sine and cosine outputs for direction detection
- Ultraminiature 2.5 mm x 2.5 mm x 0.8 mm TDFN6 package

AAT-Series Sensor Applications

- Rotary encoders
- Motor shaft position sensors
- Internet-of-Things sensor nodes
- Battery or harvested power

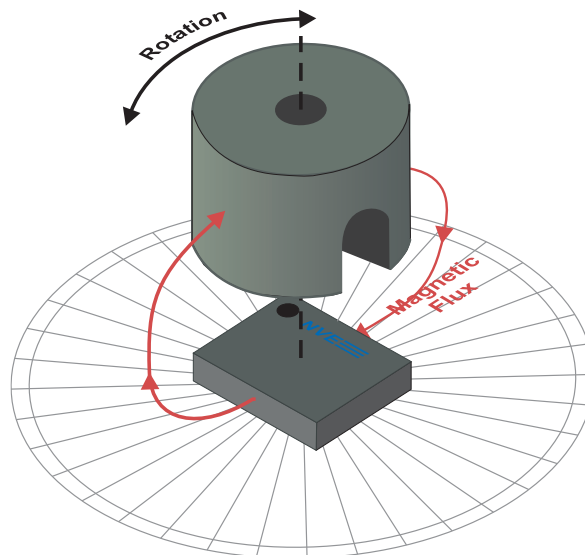
Available AAT-Series Sensors

Part Number	Configuration	Typ. Output (ea. output; p-p)	Required Field	Typ. Device Resistance
AAT001-10E	Half-bridge	200 mV/V	30 Oe	1.25 M Ω
AAT003-10E	Half-bridge	200 mV/V	30 Oe	40 K Ω
AAT006-10E	Half-bridge	200 mV/V	15 Oe	1.5 M Ω
AAT009-10E	Half-bridge	200 mV/V	30 Oe	6 M Ω
AAT101-10E	Full-bridge	400 mV/V	30 Oe	625 k Ω

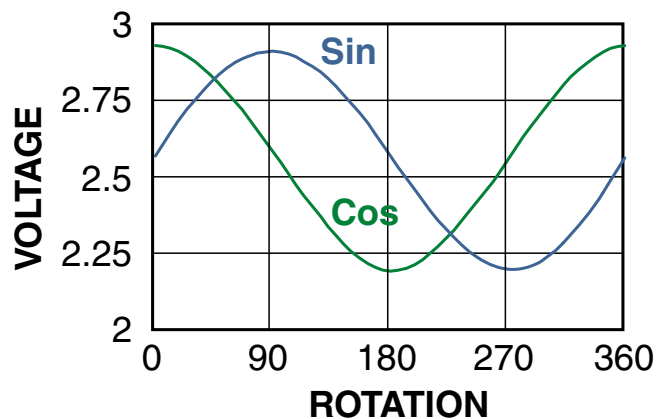
Visit www.nve.com for complete product specifications.

Quick Start

- ⇒ Connect V_{CC1} and V_{CC2} to a 3.3 or 5 V supply.
- ⇒ Connect the “SIN” and “COS” screw terminals to an oscilloscope or to meters.
- ⇒ Place the split-pole magnet in the Plexiglas pocket.
- ⇒ Rotate the magnet.

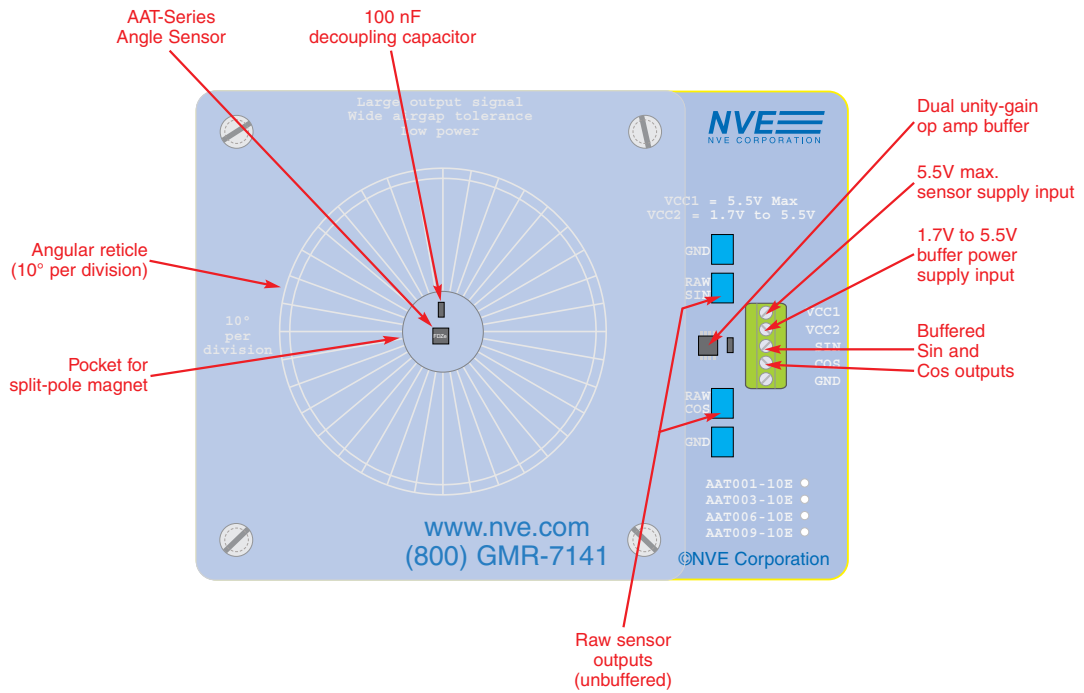


⇒ The outputs should be similar to the following graph:

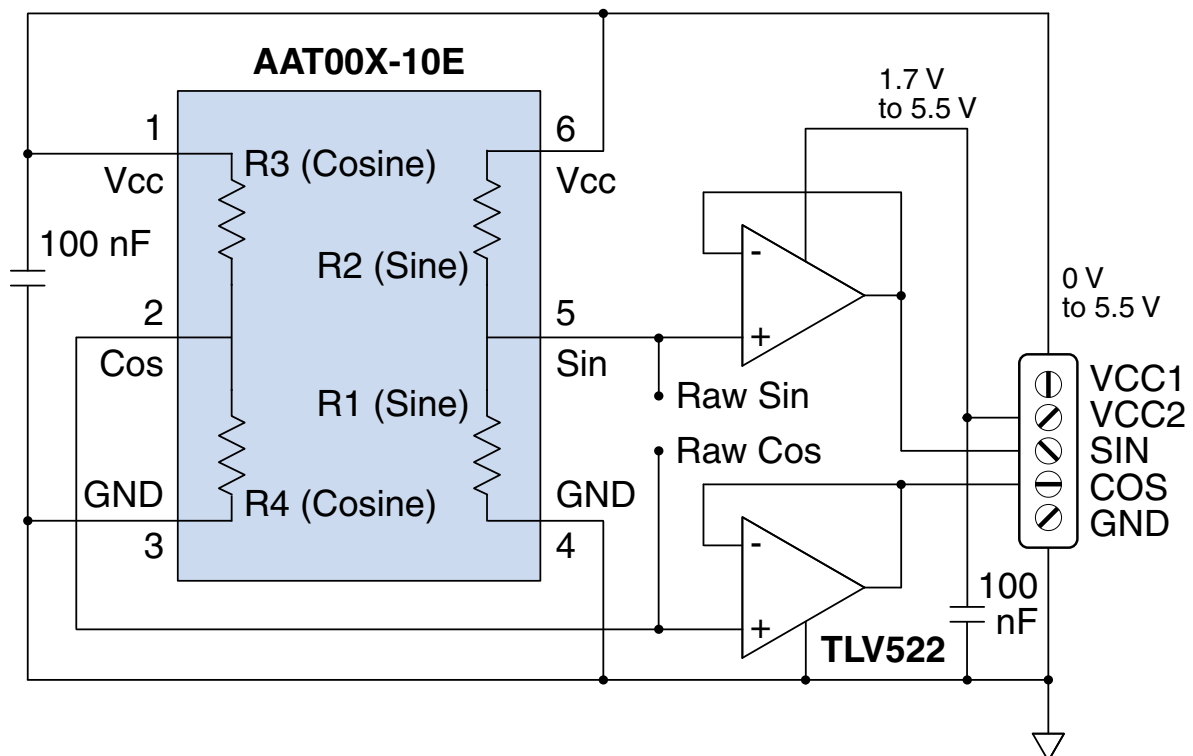


The output is insensitive to magnet spacing over a wide range. Signal is lost if the magnet is too far away; if the magnet is too close the outputs will be non-sinusoidal. A relatively large magnet-sensor airgap is possible with the magnet provided with the kit, although smaller magnets will require a smaller gap.

Evaluation Board Layout



PCB Assembly



Evaluation Kit schematic.

The PCB assembly includes an ultralow-power unity-gain buffer for low-impedance outputs that prevent downstream electronics from loading the sensor bridge. Buffering may not be necessary in the end application depending on the impedance of downstream electronics.

Raw output signals from the sensor are also available as test points, however an unpowered buffer will load the sensor, so the buffer op amp should be either powered or removed to use the raw outputs.

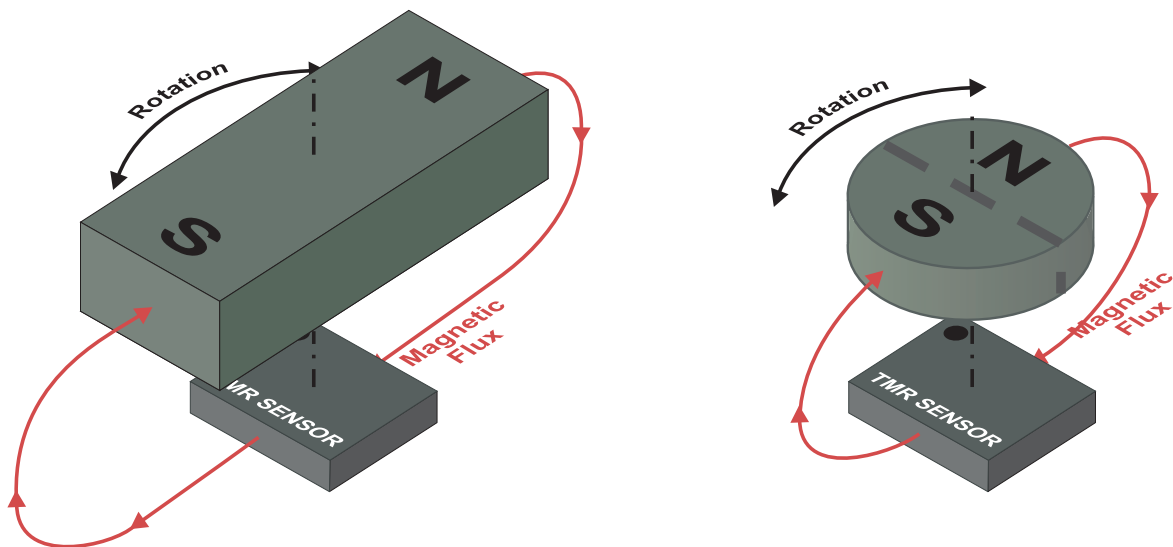
Separate supply connections for the sensor (V_{CC1}) and op amp (V_{CC2}) allow monitoring the sensor supply current only, or V_{CC1} and V_{CC2} can be connected together.

The op amp has a 1.7 V minimum supply voltage, while the sensor has no minimum. Output sensitivity increases proportionately to the sensor supply voltage, as does current consumption.

Principles of Operation

The heart of AAT sensors is arrays of four unique Tunneling Magnetoresistance (TMR) elements, one in each quadrant. TMR technology enables low power and miniaturization, making the sensors ideal for battery operation.

In a typical configuration, an external magnet provides a saturating magnetic field in the plane of the sensor, as illustrated below for a bar magnet and a radially-magnetized disk magnet:



The device contains four sensing resistors at 90 degree intervals. The resistors are connected as two half-bridges, providing the sine and cosine voltage outputs. For each half bridge, the resistance of one element increases and the other decreases as the field rotates. Thus the bridge resistance, device resistance, and output impedances remain constant with rotation.



Limited Warranty and Liability

Information in this document is believed to be accurate and reliable. However, NVE does not give any representations or warranties, expressed or implied, as to the accuracy or completeness of such information and shall have no liability for the consequences of use of such information. In no event shall NVE be liable for any indirect, incidental, punitive, special or consequential damages (including, without limitation, lost profits, lost savings, business interruption, costs related to the removal or replacement of any products or rework charges) whether or not such damages are based on tort (including negligence), warranty, breach of contract or any other legal theory.

Right to Make Changes

NVE reserves the right to make changes to information published in this document including, without limitation, specifications and product descriptions at any time and without notice.

Use in Life-Critical or Safety-Critical Applications

Unless NVE and a customer explicitly agree otherwise in writing, NVE products are not designed, authorized or warranted to be suitable for use in life support, life-critical or safety-critical devices or equipment. NVE accepts no liability for inclusion or use of NVE products in such applications and such inclusion or use is at the customer's own risk. Should the customer use NVE products for such application whether authorized by NVE or not, the customer shall indemnify and hold NVE harmless against all claims and damages.

Applications

Applications described in this document are illustrative only. NVE makes no representation or warranty that such applications will be suitable for the specified use without further testing or modification. Customers are responsible for the design and operation of their applications and products using NVE products, and NVE accepts no liability for any assistance with applications or customer product design. It is customer's sole responsibility to determine whether the NVE product is suitable and fit for the customer's applications and products planned, as well as for the planned application and use of customer's third party customers. Customers should provide appropriate design and operating safeguards to minimize the risks associated with their applications and products. NVE does not accept any liability related to any default, damage, costs or problem which is based on any weakness or default in the customer's applications or products, or the application or use by customer's third party customers. The customer is responsible for all necessary testing for the customer's applications and products using NVE products in order to avoid a default of the applications and the products or of the application or use by customer's third party customers. NVE accepts no liability in this respect.

An ISO 9001 Certified Company

NVE Corporation
11409 Valley View Road
Eden Prairie, MN 55344-3617

©NVE Corporation

All rights are reserved. Reproduction in whole or in part is prohibited without the prior written consent of the copyright owner.

Manual No.: SB-00-050

We are here for you. Addresses and Contacts.

Headquarter Switzerland:

Angst+Pfister Sensors and Power AG
Thurgauerstrasse 66
CH-8050 Zurich
Phone +41 44 877 35 00
sensorsandpower@angst-pfister.com

Office Germany:

Angst+Pfister Sensors and Power Deutschland GmbH
Edisonstraße 16
D-85716 Unterschleißheim
Phone +49 89 374 288 87 00
sensorsandpower.de@angst-pfister.com

Scan here and get an overview of personal contacts!



sensorsandpower.angst-pfister.com
