

Specifications of Oxygen Sensor Module

V-8097

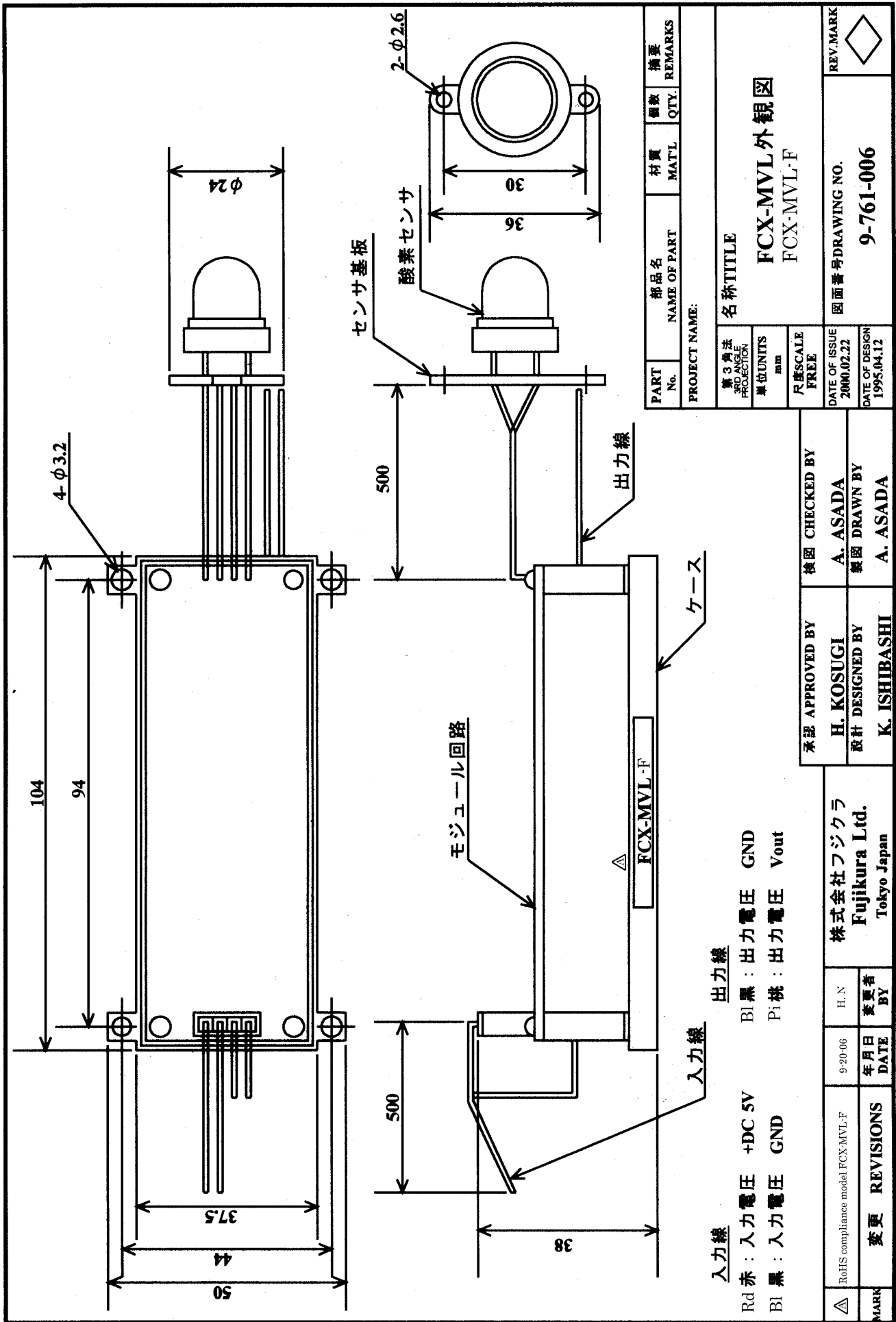
1. General:

This document describes about the specification of Ceramic Oxygen Sensor module, FUJIKURA's FCX-MVL-F-(AC).

Table shown below is revision records of this specification

| | | | | |
|------|-----------|------------|---------------------------------|--------|
| V | | | | |
| IV | | | | |
| III | | | | |
| II | | | | |
| I | 9-20-2006 | H. Nishida | Change to RoHS compliance model | (A) |
| Est. | 2-06-2006 | J. Kato | | |
| | Date | Name | Comments | Remark |

| | |
|---------------------------|--|
| <u>Model</u> | <u>FCX-MVL-F / FCX-MVL-F-AC</u> (A) |
| 1. Measuring Gas | Oxygen |
| 2. Measurement Method | Limiting current method using Zirconia Solid-Electrolyte |
| 3. Measurement Range | 0.1 to 25 %O ₂ |
| 4. Sampling Method | gas diffusion |
| 5. Accuracy | within $\pm 1\%$ FS |
| 6. Response Time | within 30 sec. (90% value) |
| 7. Warming-up Time | about 5 min. |
| 8. External Output | Analog output 1 to 250mV (10mV/%O ₂) |
| 9. Power Source | DC 5 \pm 0.2V |
| 10. Power Consumption | about 4.0 watts |
| 11. Operating Temperature | -10 to 50 degree C (module environment) |
| 12. Operating Humidity | 0 to 85%R.H. (without vapor condensation) |
| 13. Dimensions | Outline diagram : cf. Drawing No. 9-761-006, 019 |
| 14. Life Time | Approx. 3 years |
| 15. Guaranty Time | Within one year after shipment |

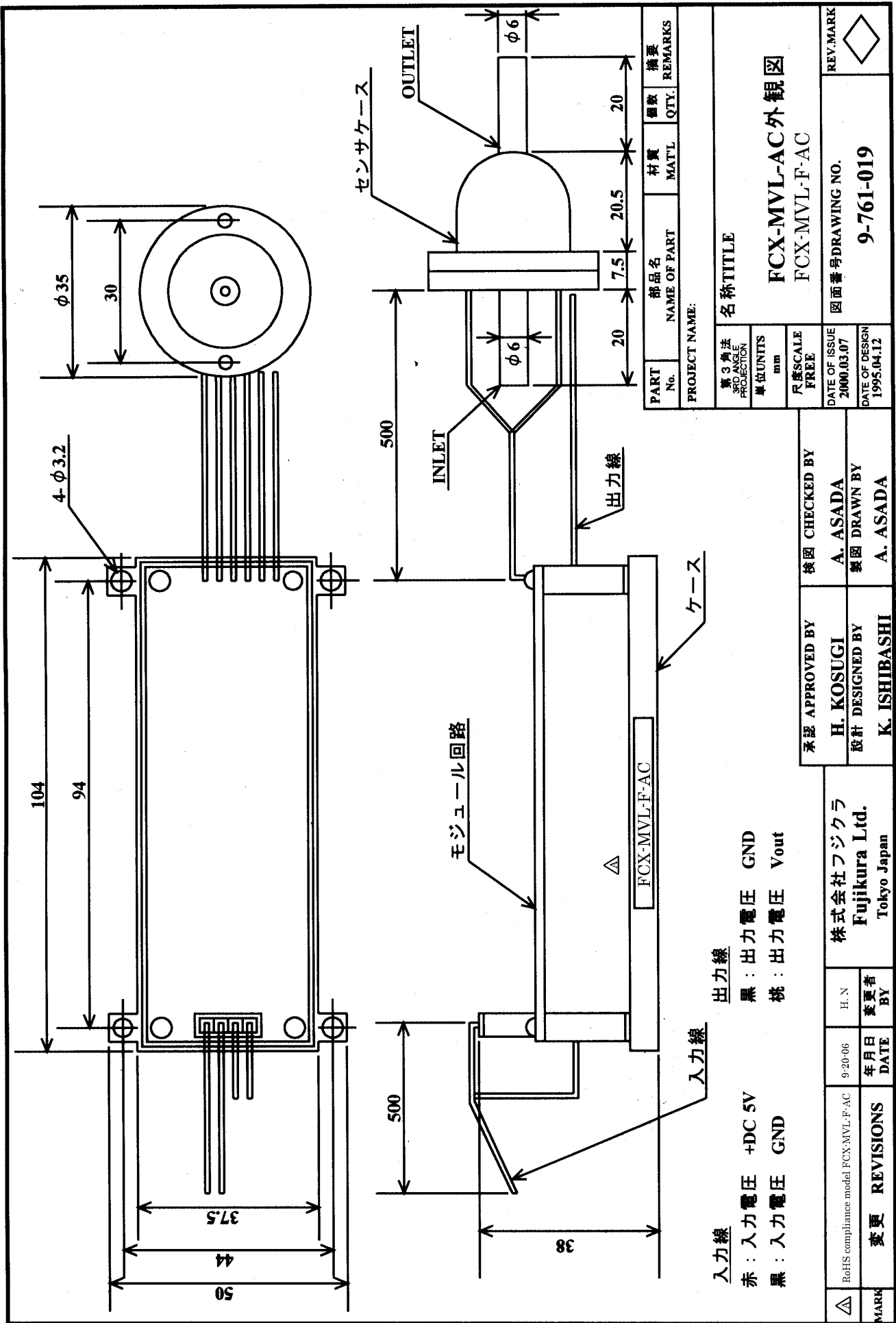


| PART No. | 部品名 NAME OF PART | 材質 MAT'L | 個数 QTY. | 摘要 REMARKS |
|--|---------------------|-------------|------------|---------------|
| PROJECT NAME: | | | | |
| 名称TITLE FCX-MVL外觀図 FCX-MVL-F | | | | |
| 第3角法 PROJECTIONS UNIT UNITS mm 尺数SCALE FREE | | | | |
| DATE OF ISSUE 2000/02/22 | | | | |
| DATE OF DESIGN 1995.04.12 | | | | |
| 図面番号DRAWING NO. 9-761-006 | | | | REV.MARK ◇ |

| | |
|--------------------------------|---------------------------|
| 承認 APPROVED BY H. KOSUGI | 検図 CHECKED BY A. ASADA |
| 設計 DESIGNED BY K. ISHIBASHI | 製図 DRAWN BY A. ASADA |

入力線 出力線
 Rd 赤 : 入力電圧 +DC 5V BI 黒 : 出力電圧 GND
 Bi 黒 : 入力電圧 GND Pi 桃 : 出力電圧 Vout

| | | |
|---------------------------------|-------------|--|
| RoHS compliance model FCX-MVL-F | H. N. | 株式会社フジクラ Fujikura Ltd. Tokyo Japan |
| 9-20-06 | 年月日 DATE | 変更者 BY |
| 変更 REVISIONS | | |



| PART No. | 部品名 NAME OF PART | 材質 MAT'L | 個数 QTY. | 摘要 REMARKS |
|---|---------------------|-------------|------------|----------------|
| PROJECT NAME: | | | | |
| 名称/TITLE FCX-MVL-AC外觀図 FCX-MVL-F-AC | | | | |
| 第3角法 3rd ANGLE PROJECTION | | | | |
| 単位/UNITS mm | | | | |
| 尺碼/SCALE FREE | | | | |
| DATE OF ISSUE 2000.03.07 | | | | |
| DATE OF DESIGN 1995.04.12 | | | | |
| 図面番号/DRAWING NO. 9-761-019 | | | | REV. MARK ◇ |

| | |
|--------------------------------|---------------------------|
| 承認/APPROVED BY H. KOSUGI | 検図/CHECKED BY A. ASADA |
| 設計/DESIGNED BY K. ISHIBASHI | 製図/DRAWN BY A. ASADA |

株式会社フジクラ
Fujikura Ltd.
Tokyo Japan

出力線
黒 : 入力電圧 +DC 5V
黒 : 出力電圧 GND
桃 : 入力電圧 GND
桃 : 出力電圧 Vout

| | |
|------------------------------------|-----------|
| RoHS compliance model FCX-MVL-F-AC | H. N |
| 9-20-06 | 変更者 BY |
| 年月日 DATE | |
| 変更 REVISIONS | |

Headquarter Switzerland:
Angst+Pfister Sensors and Power AG

Thurgauerstrasse 66
CH-8050 Zurich
Phone +41 44 877 35 00
sensorsandpower@angst-pfister.com

Office Germany:
Angst+Pfister Sensors and Power
Deutschland GmbH
Edisonstraße 16
D-85716 Unterschleißheim
Phone +49 89 374 288 87 0
sensorsandpower.de@angst-pfister.com



We are here for you. Addresses and Contacts.

Sales Germany & Austria

Geometrical sensors
Other products

Kurt Stritzelberger
Phone +49 89 374 288 87 22
kurt.stritzelberger@angst-pfister.com

Pressure sensors
Other products

Gerhard Vetter
Phone +49 89 374 288 87 26
gerhard.vetter@angst-pfister.com

Gas sensors and modules

Peter Felder
Phone +41 44 877 35 05
peter.felder@angst-pfister.com

Sales Switzerland & Liechtenstein

Postcode 3000 – 9999

Basil Frei
Phone +41 44 877 35 18
basil.frei@angst-pfister.com

Postcode 1000 – 2999

Christian Mohrenstecher
Phone +41 76 444 57 93
christian.mohrenstecher@angst-pfister.com

Sales International Key Accounts

Peter Felder
Phone +41 44 877 35 05
peter.felder@angst-pfister.com

Sales Other Countries / Product Management

Pressure Sensors
Load Cells

Philipp Kistler
Phone +41 44 877 35 03
philipp.kistler@angst-pfister.com

Gas sensors
Gas sensor modules

Dr. Thomas Clausen
Phone +49 89 374 288 87 24
thomas.clausen@angst-pfister.com

Flow / Level / Medical products

Dr. Adriano Pittarelli
Phone +49 89 374 288 87 67
adriano.pittarelli@angst-pfister.com

Power supplies

Sebastiano Leggio
Phone +41 44 877 35 06
sebastiano.leggio@angst-pfister.com

Linear position sensors
Angle sensors

Eric Letsch
Phone +41 44 877 35 14
eric.letsch@angst-pfister.com

Accelerometers
Sensor elements

Christoph Kleye
Phone +49 89 374 288 87 61
christoph.kleye@angst-pfister.com

Drive technology
CH Postcode 5000 – 9999 / DE

Roman Homa
Phone +41 76 444 00 86
roman.homa@angst-pfister.com

Drive technology
CH Postcode 1000 – 4999 / AT / IT / FR

Christian Mohrenstecher
Phone +41 76 444 57 93
christian.mohrenstecher@angst-pfister.com

Harald Thomas
Phone +49 89 374 288 87 23
harald.thomas@angst-pfister.com