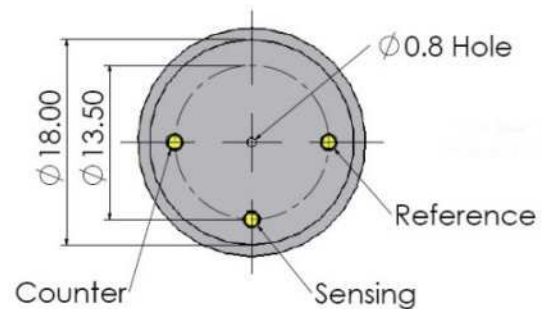
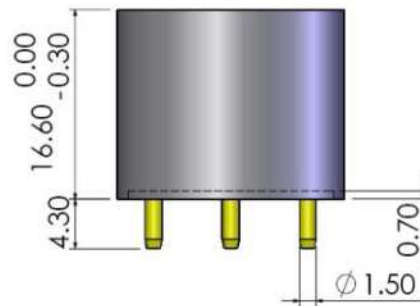
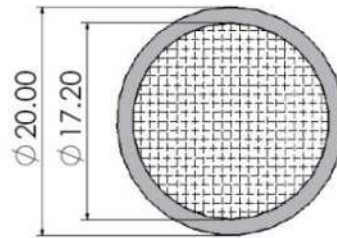




OUTLINE (Dimensions in millimetres)

Tolerances ± 0.15 mm unless stated.



PERFORMANCE

Range	0 - 30% O ₂
Over-range	100% O ₂
Resolution	0.1% O ₂
Expected lifetime (see note 1)	>36 months
Output signal in 20.9% O ₂	300 – 400 μ A
Output signal in N ₂	40 μ A
Linearity	see Fig. 3 (as predicted - inverse log response)
Response time (T ₉₀)	<15 s
Temperature range	-20 to +55 °C
Temperature coefficient (see Fig 1)	<0.5% signal/°C
Pressure range	90 - 110 kPa (nominal)
Pressure coefficient	0.07% typical signal per kPa change
Humidity range	15 - 95% RH (non-condensing)
Long-term Output drift	<2% change in output per month
Operating circuit (see note 2)	see Electrochemical Sensors Application Note 5

NOTES

1. The sensor lifetime is **not** limited by the mass of a sacrificial anode.
2. This sensor requires a negative bias of -600 mV between the working and reference electrodes.

PHYSICAL CHARACTERISTICS

Label colour	silver
Weight	6 g
Dimensions	see outline
Shelf life	6 months

Important Note

Do not solder to the connector pins as this may damage the sensor and thereby invalidate the warranty.

Details on recommended connector pins can be found in the Frequently Asked Questions within the Gas Sensor section of the SGX Sensortech website.

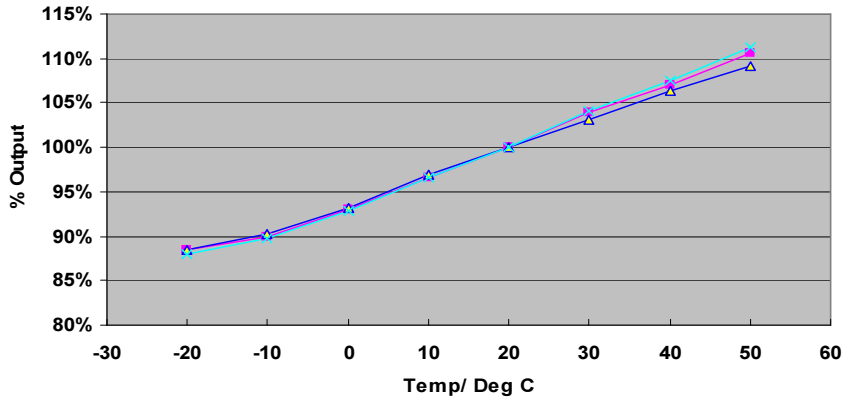


Fig. 1 – EC410 % Sensor Response (c.f. 20 °C) versus Ambient Temperature

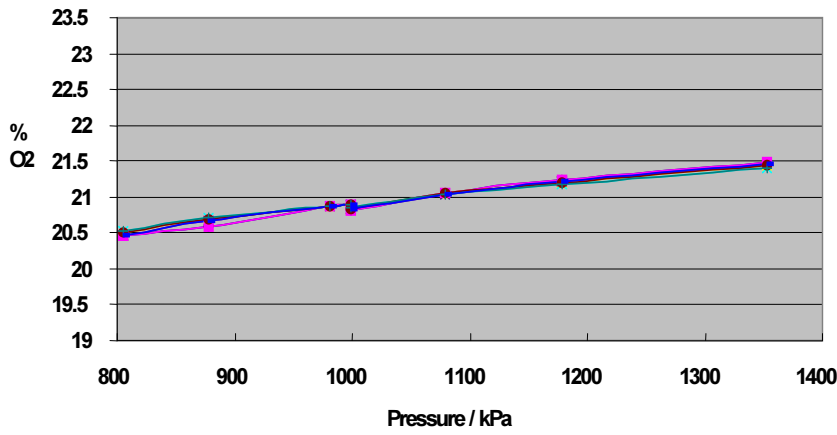


Fig. 2 – EC410 % Oxygen versus Pressure

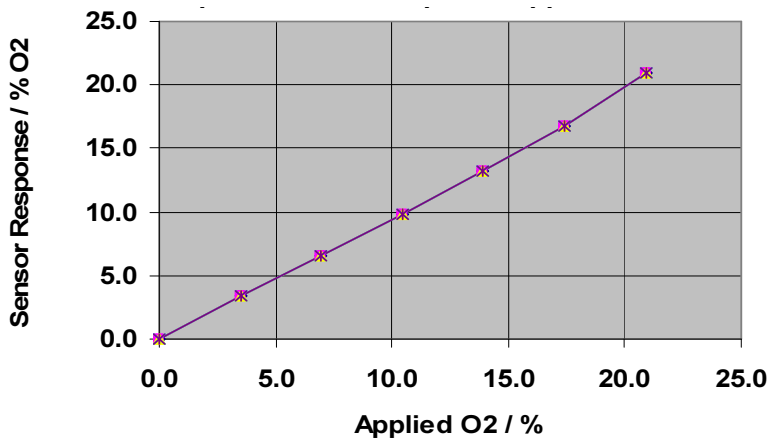


Fig. 3 – Oxygen Sensor Linearity Test – Sensor Response versus Applied Oxygen

Headquarter Switzerland:
Angst+Pfister Sensors and Power AG

Thurgauerstrasse 66
CH-8050 Zurich
Phone +41 44 877 35 00
sensorsandpower@angst-pfister.com

Office Germany:
Angst+Pfister Sensors and Power
Deutschland GmbH
Edisonstraße 16
D-85716 Unterschleißheim
Phone +49 89 374 288 87 0
sensorsandpower.de@angst-pfister.com



We are here for you. Addresses and Contacts.

Sales Germany & Austria

Geometrical sensors
Other products

Kurt Stritzelberger
Phone +49 89 374 288 87 22
kurt.stritzelberger@angst-pfister.com

Pressure sensors
Other products

Gerhard Vetter
Phone +49 89 374 288 87 26
gerhard.vetter@angst-pfister.com

Gas sensors and modules

Peter Felder
Phone +41 44 877 35 05
peter.felder@angst-pfister.com

Sales Switzerland & Liechtenstein

Postcode 3000 – 9999

Basil Frei
Phone +41 44 877 35 18
basil.frei@angst-pfister.com

Postcode 1000 – 2999

Christian Mohrenstecher
Phone +41 76 444 57 93
christian.mohrenstecher@angst-pfister.com

Sales International Key Accounts

Peter Felder
Phone +41 44 877 35 05
peter.felder@angst-pfister.com

Sales Other Countries / Product Management

Pressure Sensors
Load Cells

Philipp Kistler
Phone +41 44 877 35 03
philipp.kistler@angst-pfister.com

Gas sensors
Gas sensor modules

Dr. Thomas Clausen
Phone +49 89 374 288 87 24
thomas.clausen@angst-pfister.com

Flow / Level / Medical products

Dr. Adriano Pittarelli
Phone +49 89 374 288 87 67
adriano.pittarelli@angst-pfister.com

Power supplies

Sebastiano Leggio
Phone +41 44 877 35 06
sebastiano.leggio@angst-pfister.com

Linear position sensors
Angle sensors

Eric Letsch
Phone +41 44 877 35 14
eric.letsch@angst-pfister.com

Accelerometers
Sensor elements

Christoph Kleye
Phone +49 89 374 288 87 61
christoph.kleye@angst-pfister.com

Drive technology
CH Postcode 5000 – 9999 / DE

Roman Homa
Phone +41 76 444 00 86
roman.homa@angst-pfister.com

Drive technology
CH Postcode 1000 – 4999 / AT / IT / FR

Christian Mohrenstecher
Phone +41 76 444 57 93
christian.mohrenstecher@angst-pfister.com

Harald Thomas
Phone +49 89 374 288 87 23
harald.thomas@angst-pfister.com