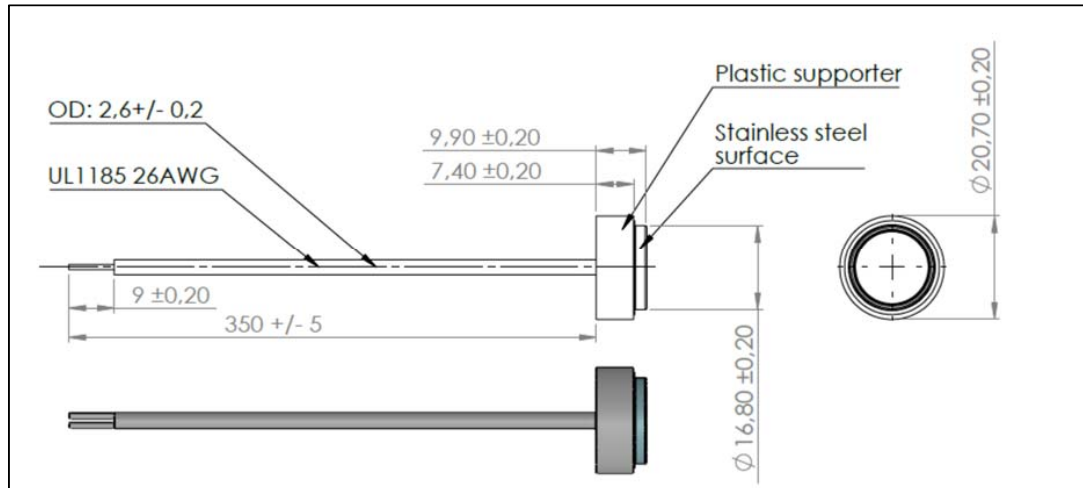




	<p align="center">Data sheet for ultrasound transducer: SQ-UST_L_0001-01</p>
	<p>Application: Liquid Flow Sensor</p>
	<p>Description: Type: Immersion transducer Center frequency: 975±30 kHz Aperture: 16 mm Lateral beamwidth (FWHM): 10° Resonator: PZT piezoelectric ceramics Dimensions: ca. 20 mm x 10 mm Connection: fixed cable 0,3m</p>
<p>Environmental conditions, application conditions: Medium: water Temperature range: 0°C ... 90°C</p> <p>Remarks: Do not touch active area. Transducer can be used in pulse echo mode and transmission mode. Max. transmit voltage: 5Vpp at N=5 cycles, pulse repeat frequency (PRF) 100Hz</p> <p>Membrane Material: SUS316 stainless steel</p>	



Notice:

For the complete datasheet please ask the manufacturer

SonoQ GmbH

Sophie-Kraemer-Str. 8
66386 St. Ingbert
Germany

Tel: +49(6894)99 89 80-90

Fax: +49(6894)99 89 80-1

E-Mail: info@sonoq.de

www.sonoq.de



Copyrights & Disclaimer

Copyright SonoQ GmbH, Sophie-Kraemer-Str. 8, 66386 St. Ingbert, Germany-Europe. Trademarks Registered. All rights reserved. The material herein may not be reproduced, adapted, merged, translated, stored, or used without the prior written consent of the copyright owner.

Devices sold by SonoQ GmbH are covered by the warranty and patent indemnification provisions appearing in its General Terms of Trade. SonoQ GmbH makes no warranty, express, statutory, implied, or by description regarding the information set forth herein. SonoQ GmbH reserves the right to change specifications and prices at any time and without notice. Therefore, prior to designing this product into a system, it is necessary to check with SonoQ GmbH for current information. This product is intended for use in commercial applications. Applications requiring extended temperature range, unusual environmental requirements, or high reliability applications, such as military, medical life-support or life-sustaining equipment are specifically not recommended without additional processing by SonoQ GmbH for each application. This product is provided by SonoQ GmbH "AS IS" and any express or implied warranties, including, but not limited to the implied warranties of merchantability and fitness for a particular purpose are disclaimed.

SonoQ GmbH shall not be liable to recipient or any third party for any damages, including but not limited to personal injury, property damage, loss of profits, loss of use, interruption of business or indirect, special, incidental or consequential damages, of any kind, in connection with or arising out of the furnishing, performance or use of the technical data herein. No obligation or liability to recipient or any third party shall arise or flow out of SonoQ GmbH rendering of technical or other services.

SonoQ GmbH

Sophie-Kraemer-Str. 8
66386 St. Ingbert
Germany

Tel: +49(6894)99 89 80-90

Fax: +49(6894)99 89 80-1

E-Mail: info@sonoq.de

www.sonoq.de

Headquarter Switzerland:
Angst+Pfister Sensors and Power AG

Thurgauerstrasse 66
CH-8050 Zurich
Phone +41 44 877 35 00
sensorsandpower@angst-pfister.com

Office Germany:
Angst+Pfister Sensors and Power
Deutschland GmbH
Edisonstraße 16
D-85716 Unterschleißheim
Phone +49 89 374 288 87 0
sensorsandpower.de@angst-pfister.com



We are here for you. Addresses and Contacts.

Sales Germany & Austria

Geometrical sensors
Other products

Kurt Stritzelberger
Phone +49 89 374 288 87 22
kurt.stritzelberger@angst-pfister.com

Pressure sensors
Other products

Gerhard Vetter
Phone +49 89 374 288 87 26
gerhard.vetter@angst-pfister.com

Gas sensors and modules

Peter Felder
Phone +41 44 877 35 05
peter.felder@angst-pfister.com

Sales Switzerland & Liechtenstein

Postcode 3000 – 9999

Basil Frei
Phone +41 44 877 35 18
basil.frei@angst-pfister.com

Postcode 1000 – 2999

Christian Mohrenstecher
Phone +41 76 444 57 93
christian.mohrenstecher@angst-pfister.com

Sales International Key Accounts

Peter Felder
Phone +41 44 877 35 05
peter.felder@angst-pfister.com

Sales Other Countries / Product Management

Pressure Sensors
Load Cells

Philipp Kistler
Phone +41 44 877 35 03
philipp.kistler@angst-pfister.com

Gas sensors
Gas sensor modules

Dr. Thomas Clausen
Phone +49 89 374 288 87 24
thomas.clausen@angst-pfister.com

Flow / Level / Medical products

Dr. Adriano Pittarelli
Phone +49 89 374 288 87 67
adriano.pittarelli@angst-pfister.com

Power supplies

Sebastiano Leggio
Phone +41 44 877 35 06
sebastiano.leggio@angst-pfister.com

Linear position sensors
Angle sensors

Eric Letsch
Phone +41 44 877 35 14
eric.letsch@angst-pfister.com

Accelerometers
Sensor elements

Christoph Kleye
Phone +49 89 374 288 87 61
christoph.kleye@angst-pfister.com

Drive technology
CH Postcode 5000 – 9999 / DE

Roman Homa
Phone +41 76 444 00 86
roman.homa@angst-pfister.com

Drive technology
CH Postcode 1000 – 4999 / AT / IT / FR

Christian Mohrenstecher
Phone +41 76 444 57 93
christian.mohrenstecher@angst-pfister.com

Harald Thomas
Phone +49 89 374 288 87 23
harald.thomas@angst-pfister.com