



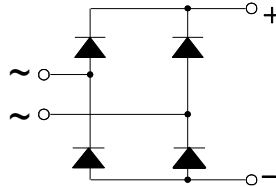
Single Phase Rectifier Bridge

PSB 55T

Preliminary Data Sheet

$I_{dAVM} = 50 \text{ A}$
 $V_{RRM} = 800 \text{ V to } 2000 \text{ V}$

V_{RSM} V	V_{RRM} V	Type Number
800	800	PSB 55T/08
1200	1200	PSB 55T/12
1400	1400	PSB 55T/14
1600	1600	PSB 55T/16
1800	1800	PSB 55T/18
2000	2000	PSB 55T/20



Symbol	Test Conditions	Maximum Ratings
I_{dAVM}	$T_c = 85^\circ\text{C}$ per module	50 A
I_{FSM}	$T_{vj} = 45^\circ\text{C}, V_R = 0 \text{ V}$	$t = 10 \text{ ms}$ 50 Hz, sine 750 A
		$t = 8.3 \text{ ms}$ 60 Hz, sine 820 A
	$T_{vj} = T_{vj\text{m}}, V_R = 0 \text{ V}$	$t = 10 \text{ ms}$ 50 Hz, sine 670 A
		$t = 8.3 \text{ ms}$ 60 Hz, sine 740 A
$\int i^2 dt$	$T_{vj} = 45^\circ\text{C}, V_R = 0 \text{ V}$	$t = 10 \text{ ms}$ 50 Hz, sine 2800 A ² s
		$t = 8.3 \text{ ms}$ 60 Hz, sine 2820 A ² s
	$T_{vj} = T_{vj\text{m}}, V_R = 0 \text{ V}$	$t = 10 \text{ ms}$ 50 Hz, sine 2250 A ² s
		$t = 8.3 \text{ ms}$ 60 Hz, sine 2300 A ² s
T_{vj}		-40 ... +150 °C
$T_{vj\text{m}}$		150 °C
T_{stg}		-40 ... +150 °C
V_{isol}	50/60 Hz, RMS $t = 1 \text{ min}$	2500 V~
	$I_{isol} \leq 1 \text{ mA}$ $t = 1 \text{ s}$	3000 V~
M_d	Mounting torque (M5)	5 Nm
	Terminal connection torque (M5)	3 Nm
Weight	typ.	200 g

Features

- Package with screw terminals
- Isolation voltage 3000 V~
- Mesa glass-passivated chips
- Blocking voltage up to 2000 V
- Low forward voltage drop
- UL registered E 148688

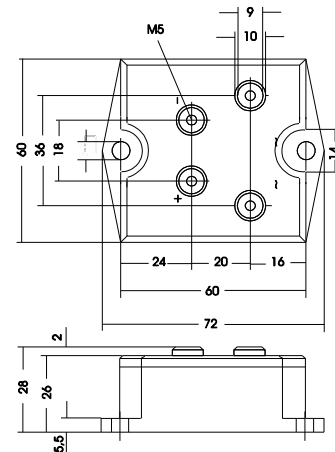
Applications

- Supplies for DC power equipment
- Input rectifiers for PWM inverter
- Battery DC power supplies
- Field supply for DC motors

Advantages

- Easy to mount with two screws
- Space and weight savings
- Improved temperature and power cycling capability

Package style and outline



Dimensions in mm (1mm = 0.0394")

Symbol	Test Conditions	Characteristic Value
I_R	$V_R = V_{RRM}$ $T_{vj} = 25^\circ\text{C}$	$\leq 0.3 \text{ mA}$
	$V_R = V_{RRM}$ $T_{vj} = T_{vj\text{m}}$	$\leq 10.0 \text{ mA}$
V_F	$I_F = 150 \text{ A}$ $T_{vj} = 25^\circ\text{C}$	$\leq 1.6 \text{ V}$
V_{TO}	For power-loss calculations only	0.85 V
r_T	$T_{vj} = T_{vj\text{m}}$	8 mΩ
$R_{th(j-c)}$	per diode; DC current	2.6 K/W
	per module	0.65 K/W
$R_{th(j-s)}$	per diode; DC current	2.84 K/W
	per module	0.71 K/W
d_s	Creeping distance on surface	7.8 mm
d_A	Creeping distance on air	7.8 mm
a	Maximum allowable acceleration	50 m/s ²

Data according to IEC 60747 refers to a single diode unless otherwise stated

We are here for you. Addresses and Contacts.

Headquarter Switzerland:

Angst+Pfister Sensors and Power AG
Thurgauerstrasse 66
CH-8050 Zurich
Phone +41 44 877 35 00
sensorsandpower@angst-pfister.com

Office Germany:

Angst+Pfister Sensors and Power Deutschland GmbH
Edisonstraße 16
D-85716 Unterschleißheim
Phone +49 89 374 288 87 00
sensorsandpower.de@angst-pfister.com

Scan here and get an overview of personal contacts!



sensorsandpower.angst-pfister.com
