

PEWA700 Series Mini Pressure Transducer

V20.1110

PEWA700 is a series of high performance mini pressure transducer by using ASIC signal conditioning chip and 316L diaphragm diffused silicon oil filled pressure sensor. It has features of anti-corrosion, anti-wear, shock resistance and vibration resistance. With precise temperature characteristic compensation, it can be used reliably and stably.



Application

PEWA700 is solution for below applications:

- Pressure measurement of gas, vapor or liquid in various areas;
- Liquid level, volume or mass measurement;
- Integrated in a variety of user-defined solutions;
- Smart water and gas management, smart fire controlling, automotive electronics controlling, air compressor, HVAC, pump, valve and etc;

Technical data

Pressure sensor: diffused silicon oil filled pressure sensor (diameter: 19mm)

Measure range: -100kPa, 35kPa, 100kPa, 250kPa, 400kPa, 600kPa, 1MPa, 1.6MPa, 2.5MPa, 4MPa, 6MPa, 10MPa, 16MPa, 25MPa, 40MPa (bar and psi unit available)

Safety overload pressure: 150%f.s.

Destroy overload pressure: 200%f.s.

Output: 4-20mA, 1-5V, 0.5~4.5V, 0-10V, I2C etc for option

Power supply: 3.3V, 5V, 12-36V,

Accuracy: 0.5% F.S. (including linearity, hysteresis and repeatability)

Working temperature range: -45 to 85°C

Compensation temperature range: -45 to 70°C

Zero temperature drift: $\leq \pm 0.5\%$ F.S. (-20~+70)°C

Sensitivity temperature drift: $\leq \pm 0.5\%$ F.S. (-20~+70)°C

Process connection: G1/8, G1/4, 1/4NPT etc for option

Housing and process connection material: 304SST

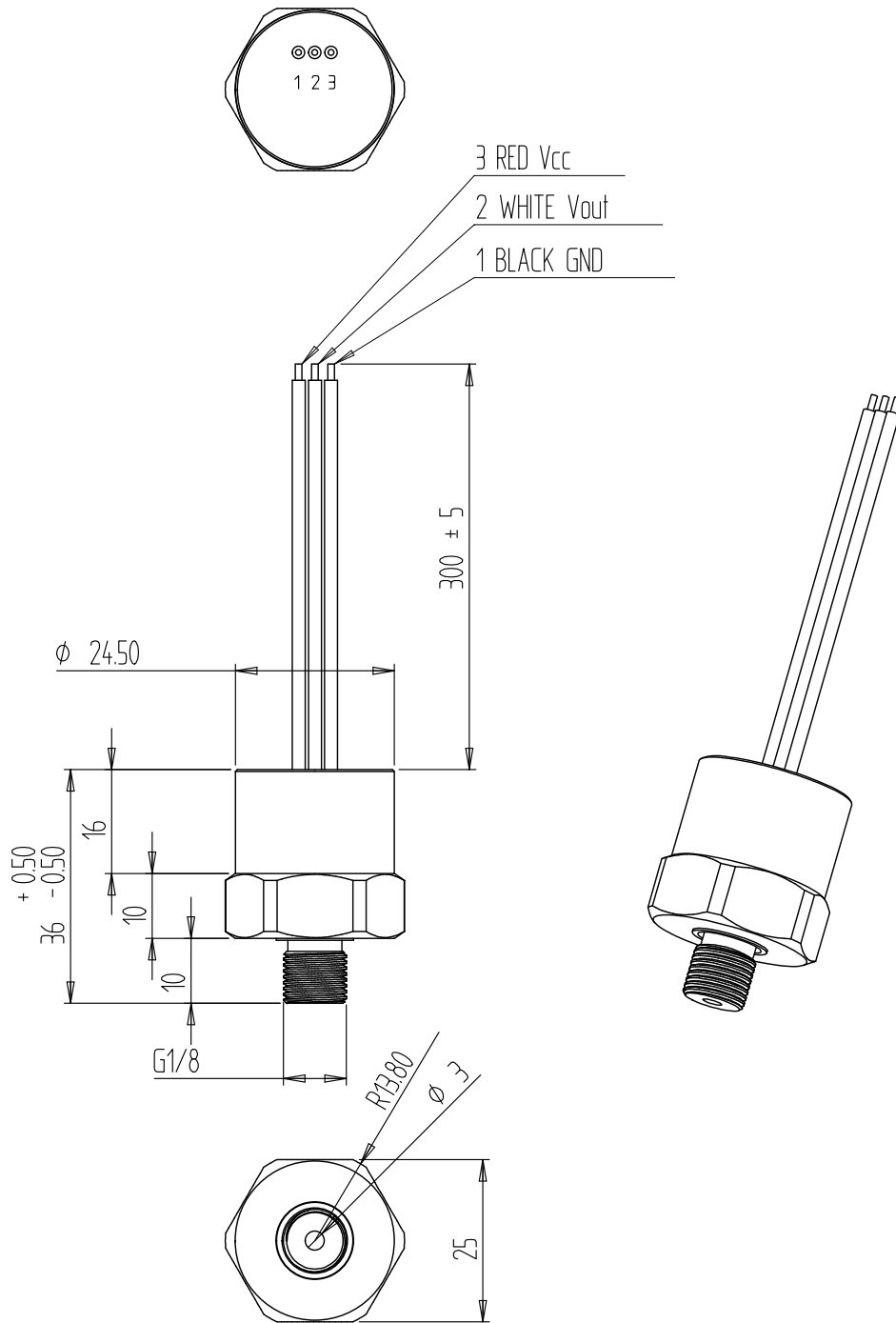
Wire specification: AWG22 wire, PVC material, per requirements

O-Ring material: Viton

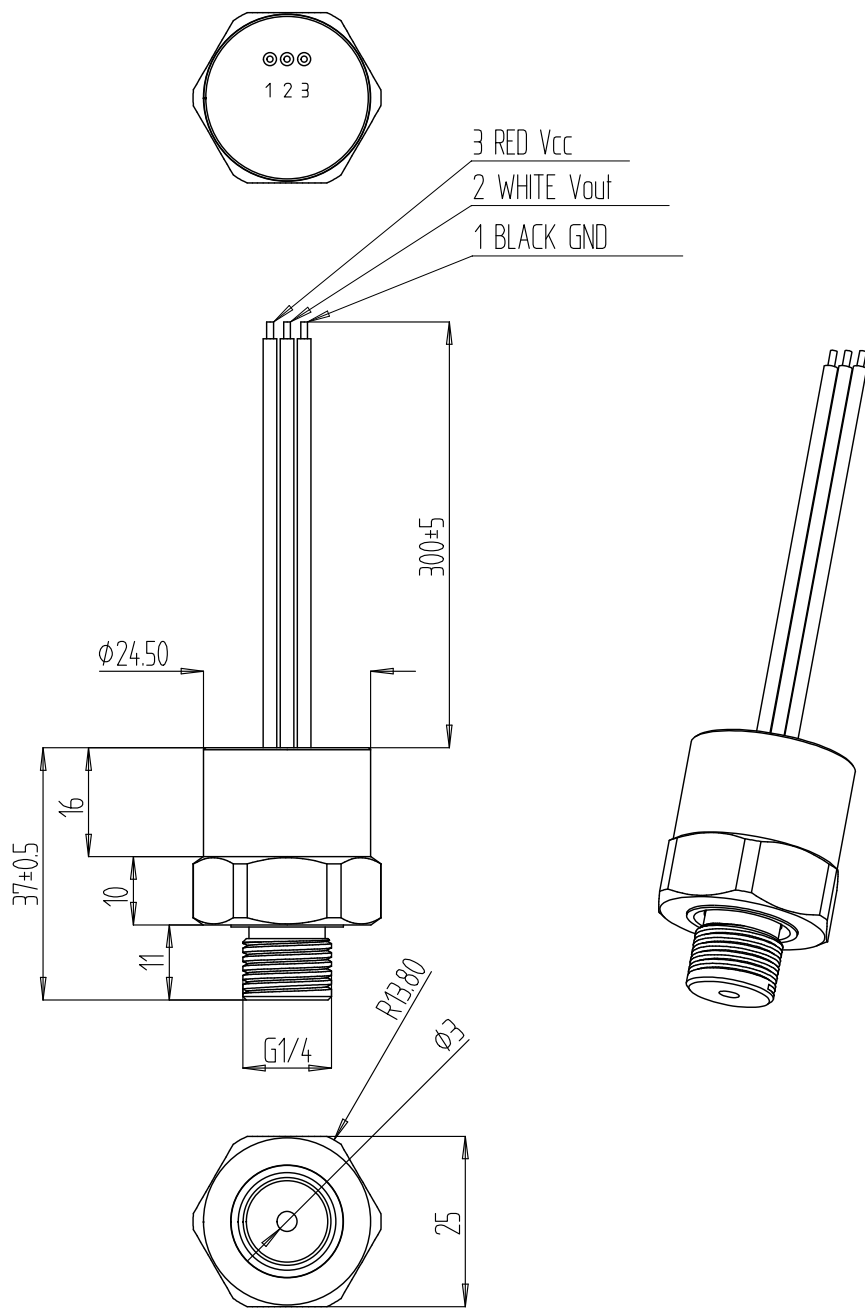
Ordering sheet

Model	Product description
PEWA700	Pressure Transducer
Code	Pressure type
A	Absolute pressure
G	Gauge pressure
S	Sealing pressure
Code	Accuracy
F	0.5%
O	1%
Code	Sensor range
A1	0-1.0~10KPa
A2	0-10~35KPa
A3	0-35~100KPa
A4	0-100~400KPa
A5	0-400~600KPa
A6	0-0.6~1.0MPa
A7	0-1.0~2.5MPa
A8	0-2.5~6.0MPa
A9	0-6.0~10MPa
A10	0-10~25MPa
A11	0-25~40MPa
Code	Calibration pressure range
(a...b)	e.g. (0...10bar), (-1...5bar), etc.
Code	Output
O1	4...20mA
O2	1-5V
O3	0.5-4.5V
O4	I2C
O5	0-5V
O6	0-10V
Code	Process connection
P1	G1/8 male
P2	G1/4 male
P3	1/4 NPT male
P4	M10*1
P5	Customization
Typical model: PEWA700-GFA6(0...8bar)O3P1	

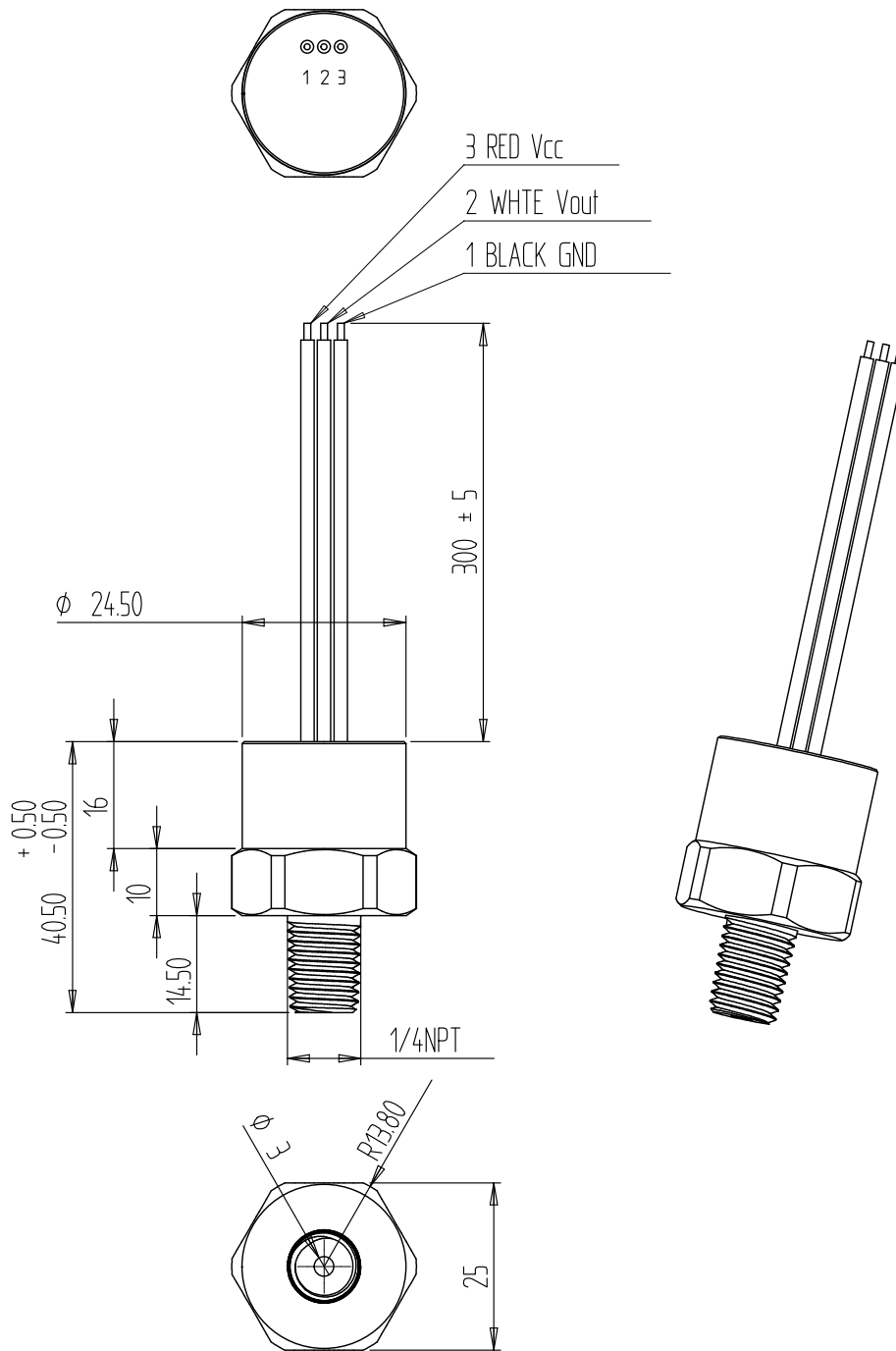
Dimension (unit: mm)



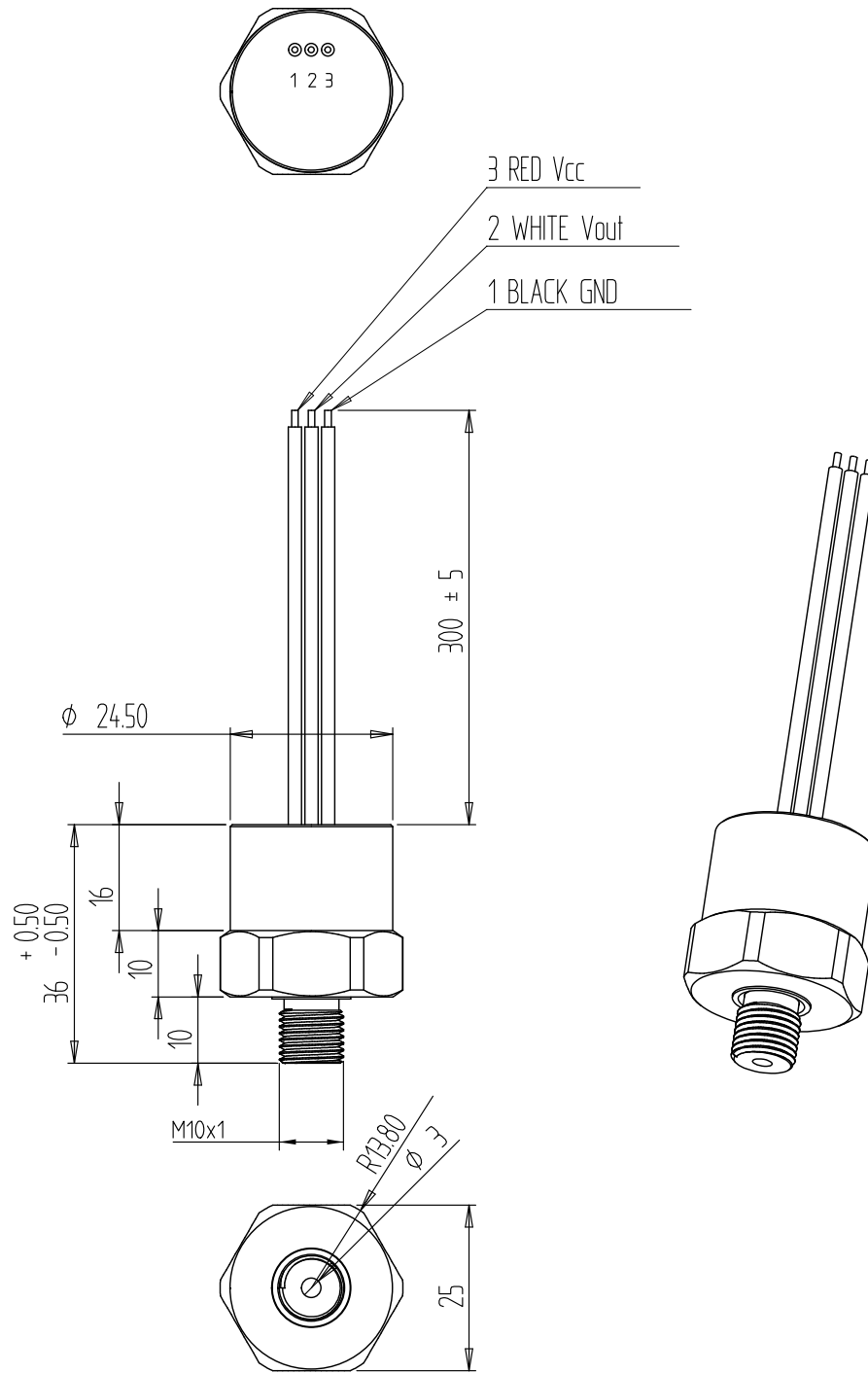
Process connection: G1/8, Male



Process connection: G1/4, Male



Process connection: 1/8" NPT, Male



Process connection: M10x1, Male

Headquarter Switzerland:
Angst+Pfister Sensors and Power AG

Thurgauerstrasse 66
CH-8050 Zurich
Phone +41 44 877 35 00
sensorsandpower@angst-pfister.com

Office Germany:
Angst+Pfister Sensors and Power
Deutschland GmbH
Edisonstraße 16
D-85716 Unterschleißheim
Phone +49 89 374 288 87 0
sensorsandpower.de@angst-pfister.com



We are here for you. Addresses and Contacts.

Sales Germany & Austria

Geometrical sensors
Other products

Kurt Stritzelberger
Phone +49 89 374 288 87 22
kurt.stritzelberger@angst-pfister.com

Pressure sensors
Other products

Gerhard Vetter
Phone +49 89 374 288 87 26
gerhard.vetter@angst-pfister.com

Gas sensors and modules

Peter Felder
Phone +41 44 877 35 05
peter.felder@angst-pfister.com

Sales Switzerland & Liechtenstein

Postcode 3000 – 9999

Basil Frei
Phone +41 44 877 35 18
basil.frei@angst-pfister.com

Postcode 1000 – 2999

Christian Mohrenstecher
Phone +41 76 444 57 93
christian.mohrenstecher@angst-pfister.com

Sales International Key Accounts

Peter Felder
Phone +41 44 877 35 05
peter.felder@angst-pfister.com

Sales Other Countries / Product Management

Pressure Sensors
Load Cells

Philipp Kistler
Phone +41 44 877 35 03
philipp.kistler@angst-pfister.com

Gas sensors
Gas sensor modules

Dr. Thomas Clausen
Phone +49 89 374 288 87 24
thomas.clausen@angst-pfister.com

Flow / Level / Medical products

Dr. Adriano Pittarelli
Phone +49 89 374 288 87 67
adriano.pittarelli@angst-pfister.com

Power supplies

Sebastiano Leggio
Phone +41 44 877 35 06
sebastiano.leggio@angst-pfister.com

Linear position sensors
Angle sensors

Eric Letsch
Phone +41 44 877 35 14
eric.letsch@angst-pfister.com

Accelerometers
Sensor elements

Christoph Kleye
Phone +49 89 374 288 87 61
christoph.kleye@angst-pfister.com

Drive technology
CH Postcode 5000 – 9999 / DE

Roman Homa
Phone +41 76 444 00 86
roman.homa@angst-pfister.com

Drive technology
CH Postcode 1000 – 4999 / AT / IT / FR

Christian Mohrenstecher
Phone +41 76 444 57 93
christian.mohrenstecher@angst-pfister.com

Harald Thomas
Phone +49 89 374 288 87 23
harald.thomas@angst-pfister.com