



## RAZC-2



### Absolute Maximum Ratings

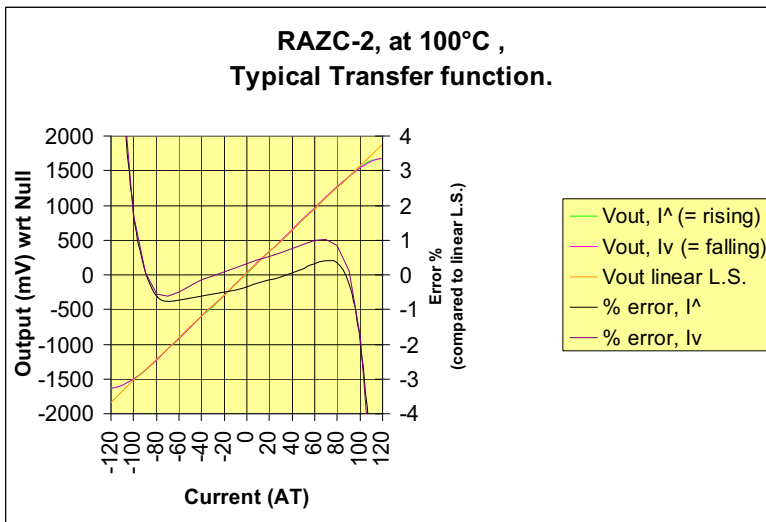
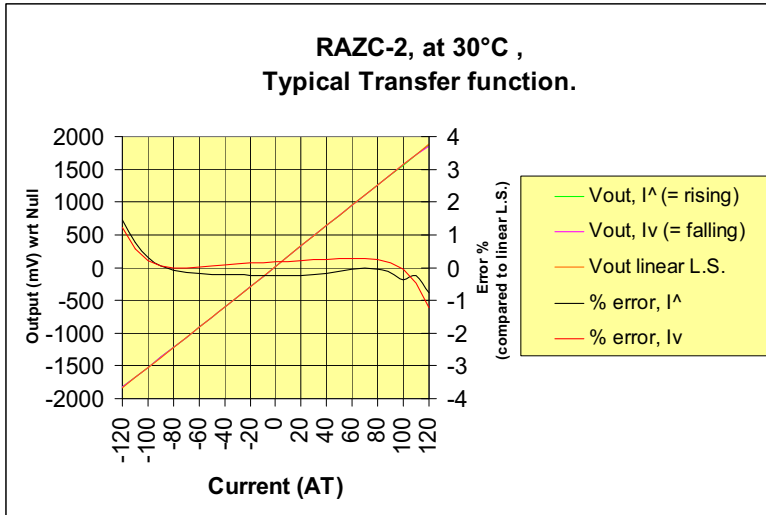
Parameter	Symbol	Value	Unit
Operating Temperature	$T_A$	-40 to +85	$^{\circ}\text{C}$
Storage Temperature	$T_{\text{stg}}$	-65 to +150	$^{\circ}\text{C}$
Supply Voltage	$V_s$	8	V
Output Sinking Current	$I_o$	10	mA
Measured Current	$I_m$	Limited by conductor	A

### Characteristics ( $T_A = 25^{\circ}\text{C}$ unless stated, $V_s = 5\text{V}$ )

Parameter	Symbol	Lower Limit	Typical	Upper Limit	Unit
Supply Current (no load)	$I_s$			11 <sup>1</sup>	mA
Supply Voltage	$V_s$	4.5	5.0	6.0	V
Current range for $\pm 1\%$ error (-25 to +85 $^{\circ}\text{C}$ )	$I_m$	$\pm 100$			A
Power-on settling time to 99%	$t_{\text{po}}$			15	$\mu\text{s}$
Null Output Voltage	$V_o$	2.4	2.5	2.6	V
Transfer Function (per turn, -25 $^{\circ}\text{C}$ to +85 $^{\circ}\text{C}$ )	$\Delta V/I$	11.4	15	19.3	mV/A
Combined non-linearity and hysteresis error (+/-100A, -25 $^{\circ}\text{C}$ to +85 $^{\circ}\text{C}$ )				1.0	%
Null drift due to temperature change	$TC_{\Delta V_o/V_o}$			$\pm 0.25$	mV/K
Gain change due to temperature change	$TC_G$	-0.1	0.1	0.18	%/K
Rise time 0 to 20AT	$t_r$			14	$\mu\text{s}$
Frequency response	$f_{-3\text{dB}}$		35		kHz
Output resistance	$R_o$		2	5	$\Omega$

<sup>1</sup> For lower supply current requirements, fast stabilization allows pulsed supply current operation. Typically 50 $\mu\text{A}$  achievable for AC operation.

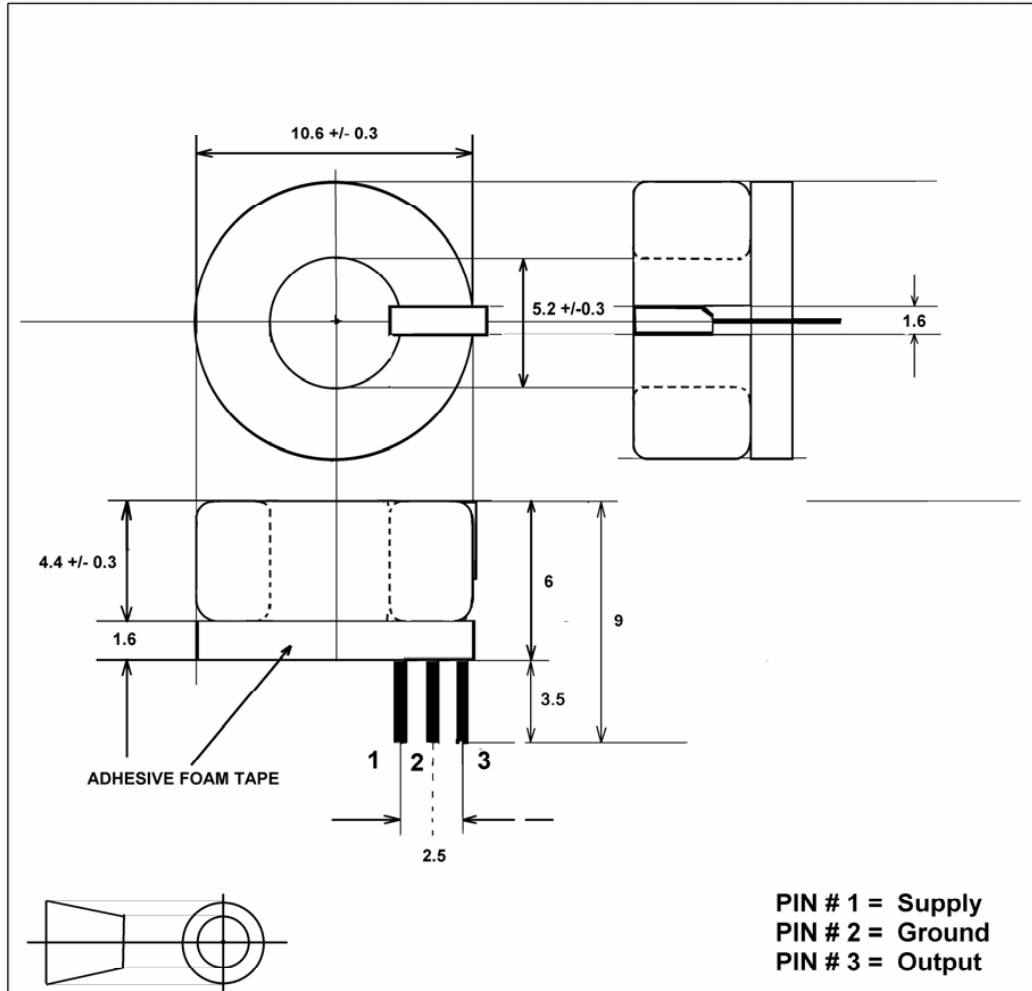
© Raztec (NZ) Ltd 2004-2005  
www.raztec.co.nz



**Raztec (NZ) Ltd operate a continuous product improvement program, therefore information contained in our datasheets may not reflect all current features.**

**For clarification please contact [sales@raztec.co.nz](mailto:sales@raztec.co.nz)**

© Raztec (NZ) Ltd 2004-2005  
www.raztec.co.nz



<p>TOLERANCES:                  0.X = +/- 0.1                  0.XX = +/- 0.02</p>		<p>29/8/05 Lead length extended from 3mm to 3.5mm                  29/8/05 Magnetic sensor package size reduced</p>	
<p>PRODUCT: RAZC</p>		<p>SCALE: NTS</p>	<p>DRG # 290805</p>
<p>RAZTEC (NZ) LTD</p>		<p>DATE: 28th September 2000</p>	<p>REVISION: 1.1</p>
<p>DRAWN:</p>		<p>CHECKED:</p>	<p>REVISION: 1.1</p>

© Raztec (NZ) Ltd 2004-2005  
 www.raztec.co.nz

## We are here for you. Addresses and Contacts.

---

### Headquarter Switzerland:

Angst+Pfister Sensors and Power AG  
Thurgauerstrasse 66  
CH-8050 Zurich  
Phone +41 44 877 35 00  
[sensorsandpower@angst-pfister.com](mailto:sensorsandpower@angst-pfister.com)

### Office Germany:

Angst+Pfister Sensors and Power Deutschland GmbH  
Edisonstraße 16  
D-85716 Unterschleißheim  
Phone +49 89 374 288 87 00  
[sensorsandpower.de@angst-pfister.com](mailto:sensorsandpower.de@angst-pfister.com)

---

Scan here and get an overview of personal contacts!



[sensorsandpower.angst-pfister.com](https://sensorsandpower.angst-pfister.com)

---