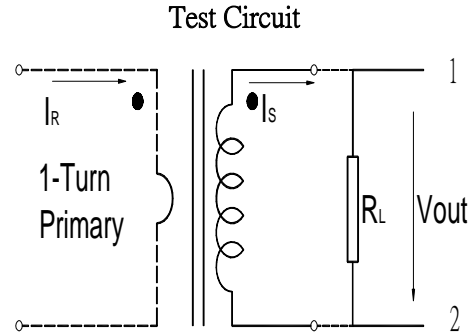
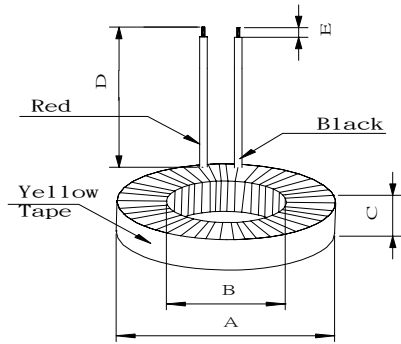


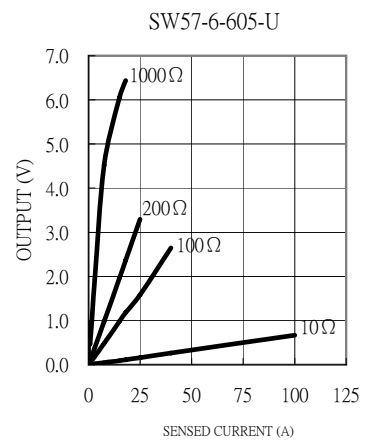
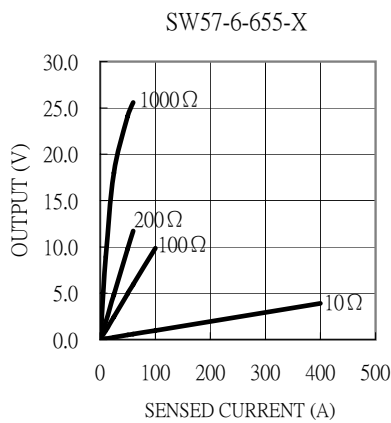
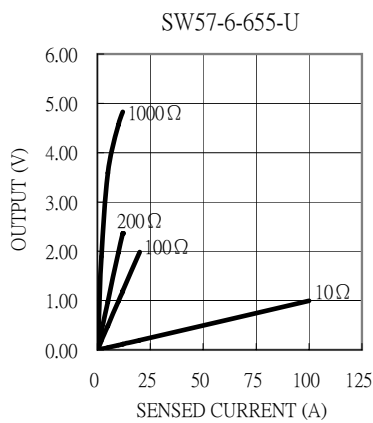
SW57-6 SERIES

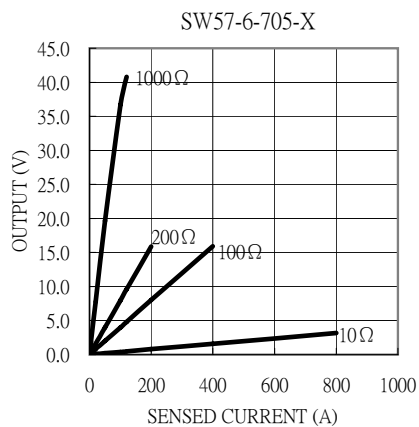
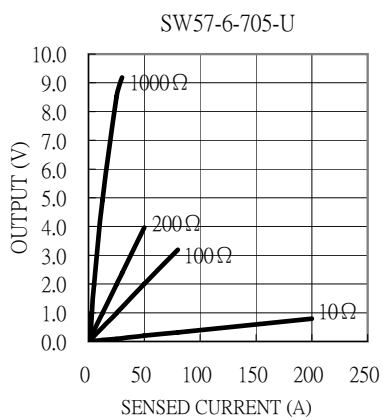
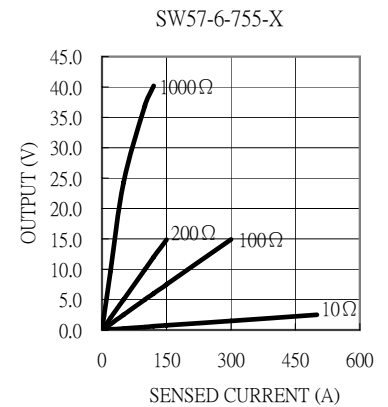
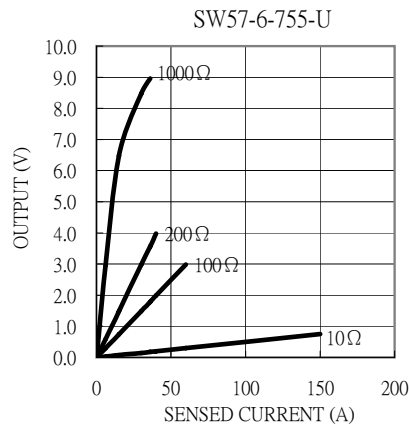
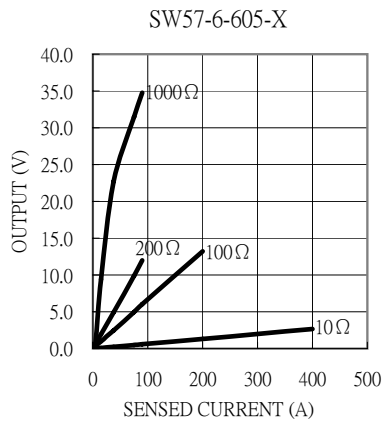


Electrical Characteristic

MECHANICAL DIMENSION

Part Number	I _R (A)	V _{out} (V)	Acc.Class (%)	I _{min} (A)	I _{max} (A)	R _L (Ω)	f (%)	δ (°)	DCR (Ω)	A(max)	B(max)	C(max)	D (±3)	E (±1)
										mm / inch				
SW57-6-655-U	0.01~10A	0.985	1	0.01	20	100	-0.390	17.0	12	42.8 1.685	27.2 1.071	10.8 0.425	126 4.960	4.0 0.157
SW57-6-605-U	0.03~15A	0.983	0.5	0.03	40	100	-0.400	10.0	42					
SW57-6-755-U	0.03~30A	1.485	0.5	0.03	70	100	-0.199	5.3	57					
SW57-6-705-U	0.05~25A	0.985	0.2	0.05	95	100	-0.160	7.0	72					
SW57-6-655-X	0.01~50A	4.956	3	0.01	115	100	-1.380	48.0	38	39.12 1.540	23.3 0.917	11.7 0.468	130 0.511	4.5 0.177
SW57-6-605-X	0.075~75A	4.958	1	0.075	205	100	-0.780	32.0	59					
SW57-6-755-X	0.05~100A	4.991	1	0.05	310	100	-0.600	26.0	92					
SW57-6-705-X	0.05~100A	3.992	1	0.05	435	100	-0.355	25.3	118					





- Remark:
1. Frequency band :50Hz~60Hz.
 2. Operating temperature: -25°C~80°C.
 3. ALL current ,voltage reffer to rms value.
 4. Product comply with RoHS requirements.
 5. Hi-POT: 2500V_{RMS}/1min between windings.
 6. Formula of 2nd output : $V_{out}=I_R \cdot R_L / N(\text{Turns})$.
 7. Product parts such as: Wire,Epoxy,Case/House,Lead, and etc. are in accordance with UL requirements.

Definition:

- I_R : Rated Current
- R_L : Load resistance.
- Vout: Output voltage.
- DCR: Sendary Winding DC Resistance.
- Imin: Min. detecting current which remains lineality.
- Imax: Max. detecting current which remains lineality.

- f(%) : Ratio error.
- δ (') : Phase shift.
- Acc.Class : Accuracy class.

Headquarter Switzerland:
Angst+Pfister Sensors and Power AG

Thurgauerstrasse 66
CH-8050 Zurich
Phone +41 44 877 35 00
sensorsandpower@angst-pfister.com

Office Germany:
Angst+Pfister Sensors and Power
Deutschland GmbH
Edisonstraße 16
D-85716 Unterschleißheim
Phone +49 89 374 288 87 0
sensorsandpower.de@angst-pfister.com



We are here for you. Addresses and Contacts.

Sales Germany & Austria

Geometrical sensors
Other products

Kurt Stritzelberger
Phone +49 89 374 288 87 22
kurt.stritzelberger@angst-pfister.com

Pressure sensors
Other products

Gerhard Vetter
Phone +49 89 374 288 87 26
gerhard.vetter@angst-pfister.com

Gas sensors and modules

Peter Felder
Phone +41 44 877 35 05
peter.felder@angst-pfister.com

Sales Switzerland & Liechtenstein

Postcode 3000 – 9999

Basil Frei
Phone +41 44 877 35 18
basil.frei@angst-pfister.com

Postcode 1000 – 2999

Christian Mohrenstecher
Phone +41 76 444 57 93
christian.mohrenstecher@angst-pfister.com

Sales International Key Accounts

Peter Felder
Phone +41 44 877 35 05
peter.felder@angst-pfister.com

Sales Other Countries / Product Management

Pressure Sensors
Load Cells

Philipp Kistler
Phone +41 44 877 35 03
philipp.kistler@angst-pfister.com

Gas sensors
Gas sensor modules

Dr. Thomas Clausen
Phone +49 89 374 288 87 24
thomas.clausen@angst-pfister.com

Flow / Level / Medical products

Dr. Adriano Pittarelli
Phone +49 89 374 288 87 67
adriano.pittarelli@angst-pfister.com

Power supplies

Sebastiano Leggio
Phone +41 44 877 35 06
sebastiano.leggio@angst-pfister.com

Linear position sensors
Angle sensors

Eric Letsch
Phone +41 44 877 35 14
eric.letsch@angst-pfister.com

Accelerometers
Sensor elements

Christoph Kleye
Phone +49 89 374 288 87 61
christoph.kleye@angst-pfister.com

Drive technology
CH Postcode 5000 – 9999 / DE

Roman Homa
Phone +41 76 444 00 86
roman.homa@angst-pfister.com

Drive technology
CH Postcode 1000 – 4999 / AT / IT / FR

Christian Mohrenstecher
Phone +41 76 444 57 93
christian.mohrenstecher@angst-pfister.com

Harald Thomas
Phone +49 89 374 288 87 23
harald.thomas@angst-pfister.com