

Customer Name		Date Of Issue :	08.11.2021
Description	AC Current Transducer	Sample Quantity	
Part No.		DWG.No.	
Part No.	HXQ2R5X-57	Sample No.	

ACKNOWLEDGMENT SPECIFICATION FOR APPROVAL

Approved by	Checked by	Checked by	Engineering

CUSTOMER APPROVAL

Approved by	Checked by	Acknowledged by



RoHS COMPLIANT

AC Current Transducer HXQ2R5X-57

$I_{PN}=2.5A$

Transducer for the electronic measurement of AC sinusoidal waveforms, with galvanic isolation between the primary (High power) and the secondary circuit (Electronic circuit).



RoHS COMPLIANT



● Operating performances ($AT=25\text{ }^{\circ}\text{C}$)

Performance	Model	HXQ2R5X-57	
Primary current	I_{PN}	2.5A	
Output signal	I_{OUT}	4~20	mA/dc
Supply voltage ($\pm 5\%$)	V_{CC}	12	Vdc
Load resistance	R_L	75	Ω
Accuracy (40%---100% Primary current)	ϵ_L	± 2	%
RMS Isolation voltage test, 50Hz, 1min	X	3	KV
Frequency bandwidth	f	50-60	Hz

● General data

Operating temperature	T_O	-25~+65 $^{\circ}\text{C}$	
Storage temperature	T_S	-25~+65 $^{\circ}\text{C}$	
Operating Humidity		0 - 95	% RH
Storage Humidity (Non-Condensing)		0 - 98	% RH
Mass	m	50g	
Note		Insulated plastic case recognized according to UL 94-V0	

● Features

◆AC sinusoidal measurement	◆Panel mounting
◆Average responding	◆4-20mA output

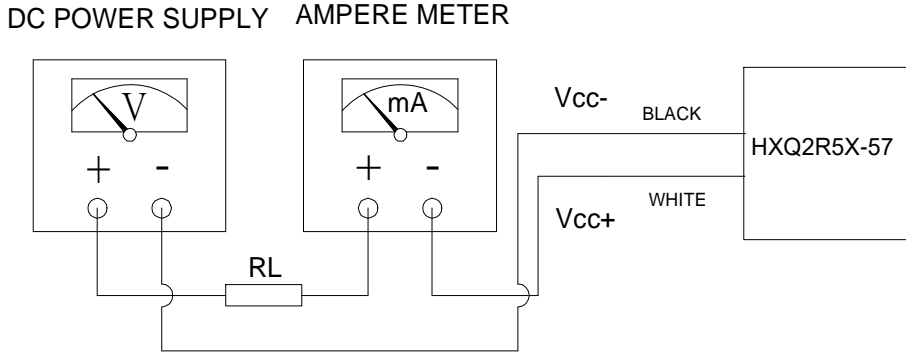
● Applications

◆Automation systems	Analog current reading for remote monitoring(e.g. motor)
◆Panel meters	Simple connection displays power consumption.

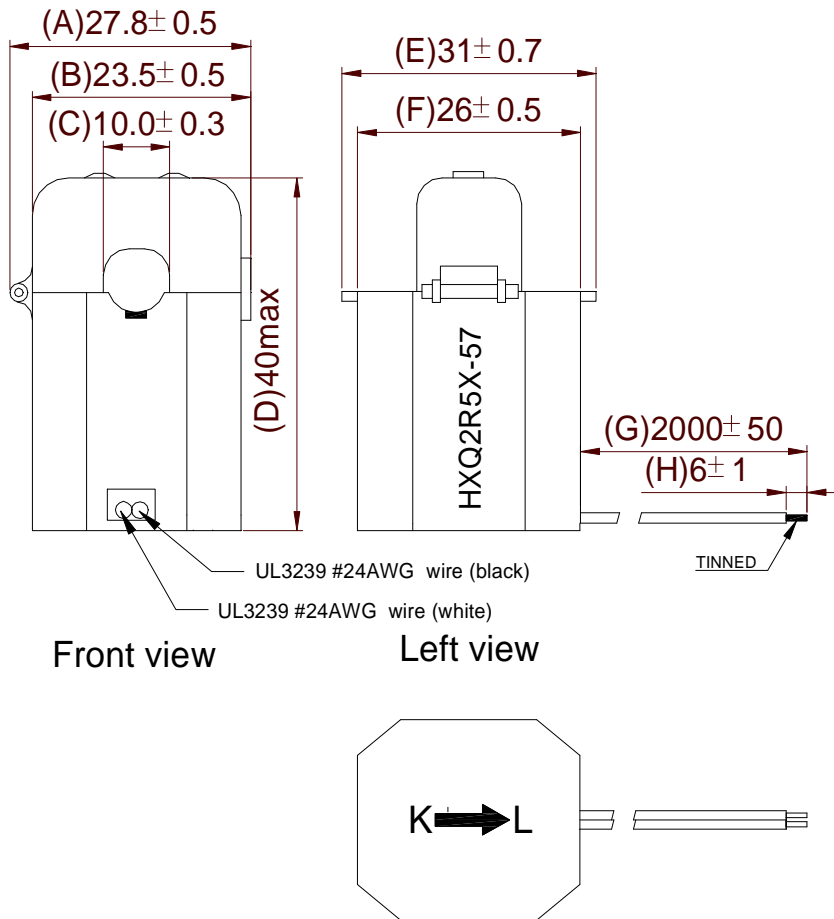
● Advantages

◆Easy to mount	◆High isolation between primary and secondary circuits
----------------	--

● **Connection**



● **Dimensions (unit: mm)**



We are here for you. Addresses and Contacts.

Headquarter Switzerland:

Angst+Pfister Sensors and Power AG
Thurgauerstrasse 66
CH-8050 Zurich
Phone +41 44 877 35 00
sensorsandpower@angst-pfister.com

Office Germany:

Angst+Pfister Sensors and Power Deutschland GmbH
Edisonstraße 16
D-85716 Unterschleißheim
Phone +49 89 374 288 87 00
sensorsandpower.de@angst-pfister.com

Scan here and get an overview of personal contacts!



sensorsandpower.angst-pfister.com
