

Customer Name		Date of Issue:	02.12.2022
Description	HFCT	Sample Quantity	
Part No.	HX578556RY57-9451G	DWG.No.	
Customer Part No.		Sample No.	9451G

ACKNOWLEDGMENT SPECIFICATION FOR APPROVAL

Approved by	Checked by	Checked by	Engineering

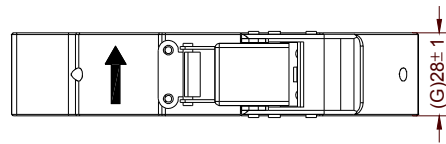
CUSTOMER APPROVED

Approved by	Checked by	Acknowledged by

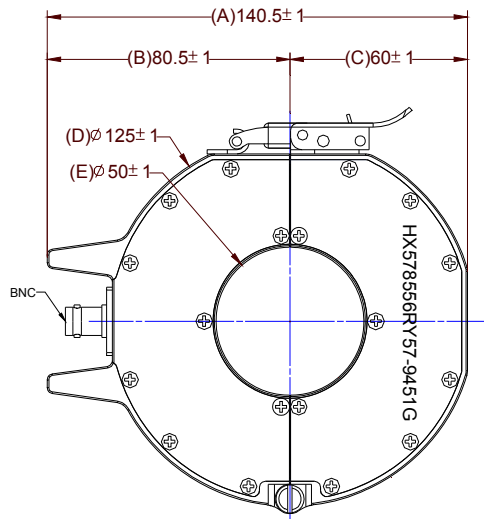


RoHS COMPLIANT

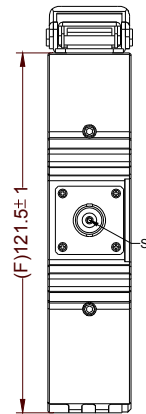
Mechanical Dimensions in mm



Top View



Front View



Right View

Test Circuit:

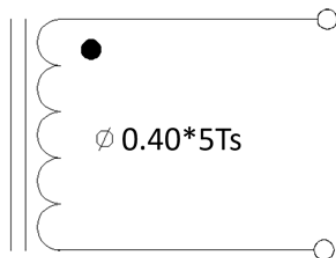


Photo:



High-Frequency Current Transformer (HFCT) is specially designed for online/offline partial discharge detection.

It has the features of wide bandwidth, high sensitivity, non-contacting, non-destructive PD signal detecting.

HFCTs are widely used on high-voltage electrical equipment such as transformers, cables, switch cabinets, GIS, generators, PT cabinets, and circuit breakers. It can be installed on the grounding cable of the input bushing/surge capacitor, the grounding wire or shielding layer, the secondary winding of the current transformer in switchgear, the neutral wires of generators, and transformers.

Terminal types:

BNC or SMA terminals are available.

Cautions:

- Do not contact the HFCT with permanent magnet material for a long period.
- Ensure lock tightly before testing.
- Ensure the current direction follows the arrow pointing direction on the sensor.

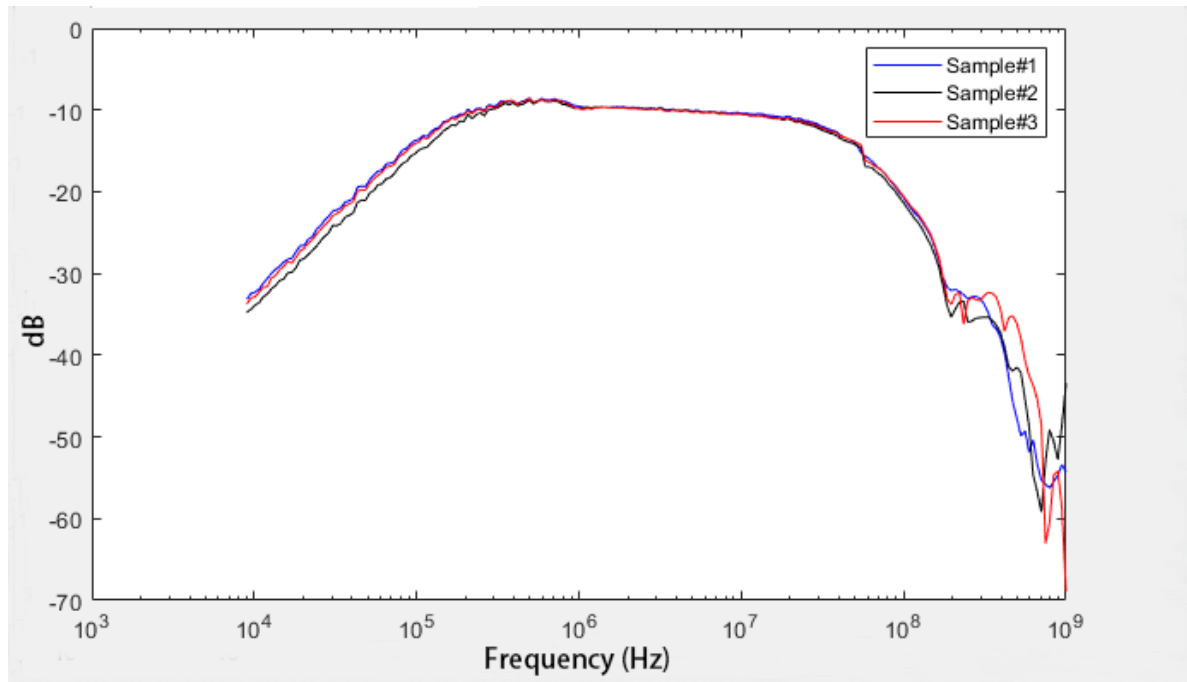
Electrical Specifications

Sensitivity:	15.6 V/A
Frequency Response	109kHz~43MHz
Recommended Load Impedance:	50Ω
Operating Temperature	-20~65 °C
Storage Temperature	-25~85 °C

Mechanical Specifications

Opening Angle	180 degree
Terminals	BNC (F)
Approx. Weight	905g

Measured Result:



We are here for you. Addresses and Contacts.

Headquarter Switzerland:

Angst+Pfister Sensors and Power AG
Thurgauerstrasse 66
CH-8050 Zurich
Phone +41 44 877 35 00
sensorsandpower@angst-pfister.com

Office Germany:

Angst+Pfister Sensors and Power Deutschland GmbH
Edisonstraße 16
D-85716 Unterschleißheim
Phone +49 89 374 288 87 00
sensorsandpower.de@angst-pfister.com

Scan here and get an overview of personal contacts!



sensorsandpower.angst-pfister.com
