

Supplier	Pewatron	Date Of Issue:	19.11.2014
Description	Current Sensor	Sample Quantity	5 Pcs.
Part No.	020-01-428-1107	Customer	
Type	HX56-7-855	Sample No.	3536C

ACKNOWLEDGMENT

CUSTOMER APPROVED

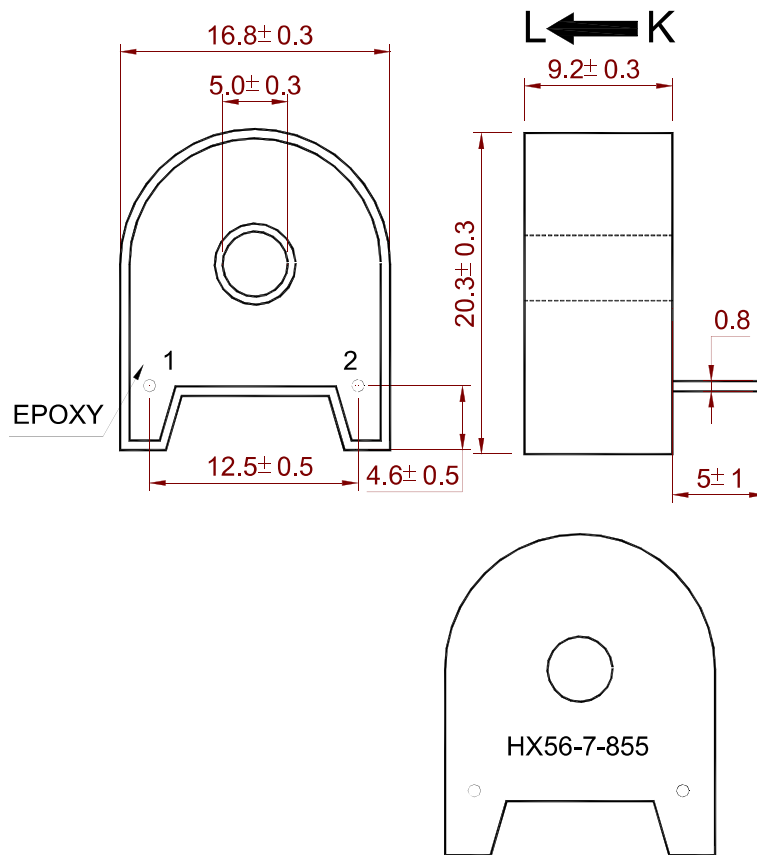
Approved by	Checked by	Acknowledged by



RoHS COMPLIANT

Part No.	020-01-428-1107	Date Of Issue :	19.11.2014
Type	HX56-7-855	Sample No.	3536C

Mechanical Dimensions in mm



Test Circuit:

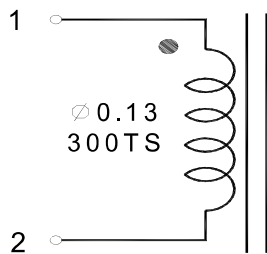


Photo:



Part No.	020-01-428-1107	Date Of Issue :	19.11.2014
Type	HX56-7-855	Sample No.	3536C

Electrical Specifications

Turns Ratio	NP:NS=1:300
D.C.Resistance at 20 °C	8.4MAX
Inductance (mH) @ 10KHz/1V, at 20°C	180min
Operating Temperature	-20~65°C
Storage Temperature	-25~85°C
Dielectric Withstanding Voltage(Hi-pot)	4KVrms/1mA/1min
Impulse Withstand Voltage	5KV Peak
Insulation Resistance	DC500V/100MΩ min

Mechanical Specifications

CUP	5010GN6-30 M8X(PBT)
Encapsulant	Epoxy
Output Terminal	2*Φ0.8
Approx.Weight	6g

Part No.	020-01-428-1107	Date Of Issue :	19.11.2014
Type	HX56-7-855	Sample No.	3536C

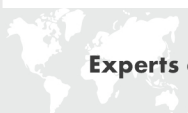
Measured Result:

NO.	L(mH)		DCR(Ω)	
	10KHZ/1V			
EQU	CH100		CH-301	
SPEC	180MIN		8.4MAX	
1	221.81		7.9	
2	228.68		7.7	
3	238.67		7.8	
4	226.45		7.8	
5	212.89		7.8	
X	225.7		7.8	

Part No.	020-01-428-1107	Date Of Issue :	19/11/14
Type	HX56-7-855	Sample No.	3536C

MATERIAL LIST

NO	ITEM	Part No	UL Card	MATERIAL	NOTE
1	CORE	CRTR0127MYLE0	/	A05	
2	WIRE	WR013NGS2U00	E201757	UEW/U	
3	HOUSING	HSCS0203DG00	E85783	5010GN6-30M8X	
4	EPOXY	CHEP9002HL00 CTEP9002HL01	E222812	9002GA 9002GB	
5	PIN	PN0825ATCHX0	/	0.8TC	
6	SOLDER	CHSB9900JX00	/	99.3%	



Headquarter Switzerland:
Angst+Pfister Sensors and Power AG

Thurgauerstrasse 66
CH-8050 Zurich
Phone +41 44 877 35 00
sensorsandpower@angst-pfister.com

Office Germany:
Angst+Pfister Sensors and Power
Deutschland GmbH
Edisonstraße 16
D-85716 Unterschleißheim
Phone +49 89 374 288 87 0
sensorsandpower.de@angst-pfister.com



We are here for you. Addresses and Contacts.

Sales Germany & Austria

Geometrical sensors
Other products

Kurt Stritzelberger
Phone +49 89 374 288 87 22
kurt.stritzelberger@angst-pfister.com

Pressure sensors
Other products

Gerhard Vetter
Phone +49 89 374 288 87 26
gerhard.vetter@angst-pfister.com

Gas sensors and modules

Peter Felder
Phone +41 44 877 35 05
peter.felder@angst-pfister.com

Sales Switzerland & Liechtenstein

Postcode 3000 – 9999

Basil Frei
Phone +41 44 877 35 18
basil.frei@angst-pfister.com

Postcode 1000 – 2999

Christian Mohrenstecher
Phone +41 76 444 57 93
christian.mohrenstecher@angst-pfister.com

Sales International Key Accounts

Peter Felder
Phone +41 44 877 35 05
peter.felder@angst-pfister.com

Sales Other Countries / Product Management

Pressure Sensors
Load Cells

Philipp Kistler
Phone +41 44 877 35 03
philipp.kistler@angst-pfister.com

Gas sensors
Gas sensor modules

Dr. Thomas Clausen
Phone +49 89 374 288 87 24
thomas.clausen@angst-pfister.com

Flow / Level / Medical products

Dr. Adriano Pittarelli
Phone +49 89 374 288 87 67
adriano.pittarelli@angst-pfister.com

Power supplies

Sebastiano Leggio
Phone +41 44 877 35 06
sebastiano.leggio@angst-pfister.com

Linear position sensors
Angle sensors

Eric Letsch
Phone +41 44 877 35 14
eric.letsch@angst-pfister.com

Accelerometers
Sensor elements

Christoph Kleye
Phone +49 89 374 288 87 61
christoph.kleye@angst-pfister.com

Drive technology
CH Postcode 5000 – 9999 / DE

Roman Homa
Phone +41 76 444 00 86
roman.homa@angst-pfister.com

Drive technology
CH Postcode 1000 – 4999 / AT / IT / FR

Christian Mohrenstecher
Phone +41 76 444 57 93
christian.mohrenstecher@angst-pfister.com

Harald Thomas
Phone +49 89 374 288 87 23
harald.thomas@angst-pfister.com