

High Frequency HX Series Specification

Applications

- Switching power supply

Features

- Frequency:20KHz~50KHz Operation Condition: Operation Temperature:-25°C~+125°C
- Fully RoHS Compliant

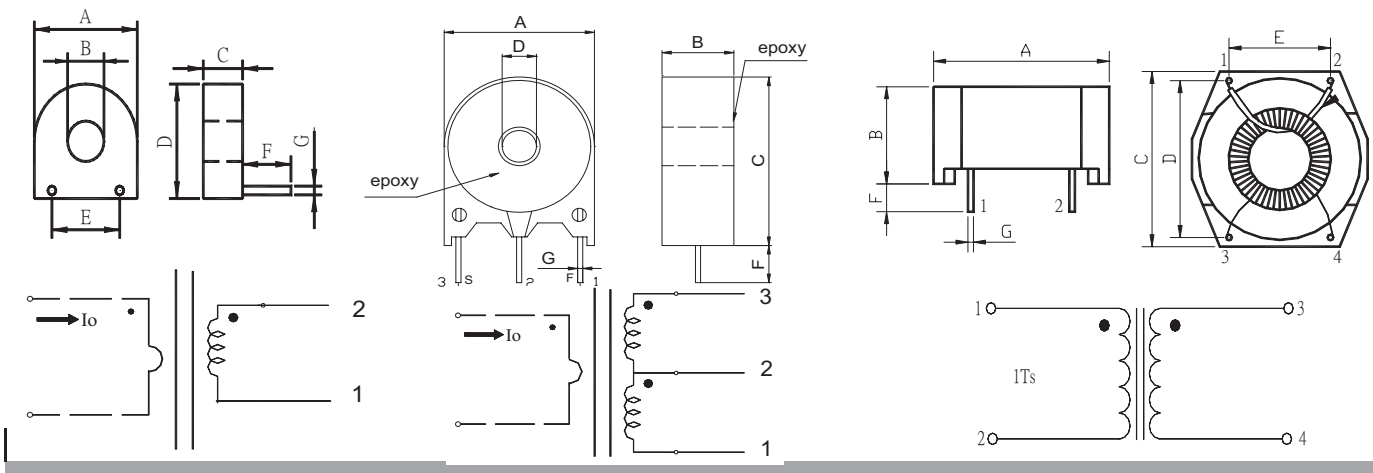
Electrical Specifications.

Part Number	TURNS	Terminals	Specification				Mechanical Dimension							DWG No.
			Rated Current	Sensitivity	Inductance 16K/1V	Terminating Resistance	A	B	C	D	E	F	G	
			1R(A)	S(V/A)	mH	(Ω)	mm							
HX56-6-555	50	1-3	10	1	5	50	18.0	10.0	21.0	5.0	12.5	4.0	0.8	HX56-6
HX56-6-655	100	1-3	24	1	20	100								
HX56-6-755	200	1-3	30	1	80	200								
HX56-6-855	300	1-3	35	1	180	300								
HX56-6-570(7)	25:25	1-2-3	10	1	5	50								
HX56-6-505(7)	50:50	1-2-3	24	1	20	100								
HX56-6-655(7)	100:100	1-2-3	30	1	80	200								
HX56-6-605(7)	150:150	1-2-3	35	1	180	300								
HX56-7-505	50	1-2	10	1	5	50	18.0	10.0	21.0	4.	12.5	4.0	0.8	HX56-7
HX56-7-655	100	1-2	24	1	20	100								
HX56-7-755	200	1-2	30	1	80	200								
HX56-7-855	300	1-2	35	1	180	300								
HX56-8-055	500	1-3	40	1	500	500	18.3	10.5	21.4	4.4	12.7	4.0	0.8	HX56-8
HX56-8-205	750	1-3	50	1	1125	750								
HX56-8-6555	1000	3-4	80	1	1800	1000								
HX57-6-505	50	3-4	10	1	5	50	16.9	12.4	17.4	15.0	10.0	4.0	0.7	HX57-6
HX57-6-655	100	3-4	24	1	20	100								
HX57-6-755	200	3-4	30	1	80	200								
HX57-6-855	300	3-4	35	1	180	300								
HX57-6-055	500	3-4	40	1	500	500								
HX57-6-205	750	3-4	50	1	1125	750								
HX57-6-6555	1000	3-4	80	1	1800	1000								

Dimensions : HX56-7

Dimensions : HX56-6, HX56-8

Dimensions : HX57-6



Headquarter Switzerland:
Angst+Pfister Sensors and Power AG

Thurgauerstrasse 66
CH-8050 Zurich
Phone +41 44 877 35 00
sensorsandpower@angst-pfister.com

Office Germany:
Angst+Pfister Sensors and Power
Deutschland GmbH
Edisonstraße 16
D-85716 Unterschleißheim
Phone +49 89 374 288 87 0
sensorsandpower.de@angst-pfister.com



We are here for you. Addresses and Contacts.

Sales Germany & Austria

Geometrical sensors
Other products

Kurt Stritzelberger
Phone +49 89 374 288 87 22
kurt.stritzelberger@angst-pfister.com

Pressure sensors
Other products

Gerhard Vetter
Phone +49 89 374 288 87 26
gerhard.vetter@angst-pfister.com

Gas sensors and modules

Peter Felder
Phone +41 44 877 35 05
peter.felder@angst-pfister.com

Sales Switzerland & Liechtenstein

Postcode 3000 – 9999

Basil Frei
Phone +41 44 877 35 18
basil.frei@angst-pfister.com

Postcode 1000 – 2999

Christian Mohrenstecher
Phone +41 76 444 57 93
christian.mohrenstecher@angst-pfister.com

Sales International Key Accounts

Peter Felder
Phone +41 44 877 35 05
peter.felder@angst-pfister.com

Sales Other Countries / Product Management

Pressure Sensors
Load Cells

Philipp Kistler
Phone +41 44 877 35 03
philipp.kistler@angst-pfister.com

Gas sensors
Gas sensor modules

Dr. Thomas Clausen
Phone +49 89 374 288 87 24
thomas.clausen@angst-pfister.com

Flow / Level / Medical products

Dr. Adriano Pittarelli
Phone +49 89 374 288 87 67
adriano.pittarelli@angst-pfister.com

Power supplies

Sebastiano Leggio
Phone +41 44 877 35 06
sebastiano.leggio@angst-pfister.com

Linear position sensors
Angle sensors

Eric Letsch
Phone +41 44 877 35 14
eric.letsch@angst-pfister.com

Accelerometers
Sensor elements

Christoph Kleye
Phone +49 89 374 288 87 61
christoph.kleye@angst-pfister.com

Drive technology
CH Postcode 5000 – 9999 / DE

Roman Homa
Phone +41 76 444 00 86
roman.homa@angst-pfister.com

Drive technology
CH Postcode 1000 – 4999 / AT / IT / FR

Christian Mohrenstecher
Phone +41 76 444 57 93
christian.mohrenstecher@angst-pfister.com

Harald Thomas
Phone +49 89 374 288 87 23
harald.thomas@angst-pfister.com