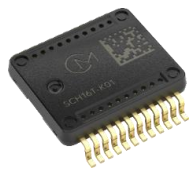
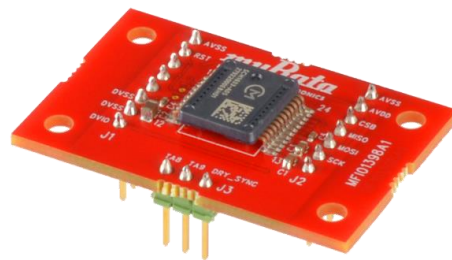


SCH1600 PCB SPECIFICATION



SCH1600 Chip Carrier PCB

The purpose of the SCH1600 Chip Carrier PCB is to enable fast prototyping.

SCH1600 Chip Carrier PCB includes:

- SCH1600 sensor soldered on PCB
- PCB design #MFI01398 with pin headers and passive components

Please refer to SCH1600 datasheet when using the Chip Carrier PCB.

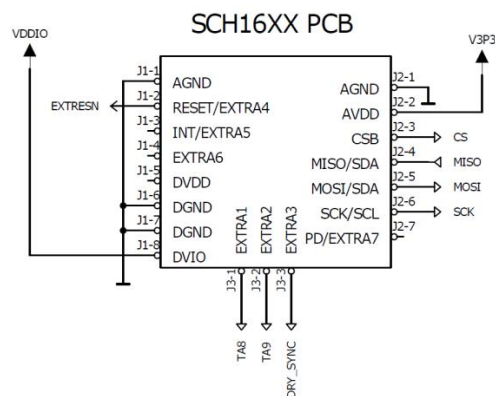


Figure 1. SCH1600 PCB pinout and external connections

Table 1. BOM of the SCH1600 PCB

Item	Qty	Ref	Part Name / type	Value
1	2	C4-5	Capacitor 0402 X7R -55C ... +125C	100 nF
2	2	C1, C3	Capacitor 0603 X7R -55C ... +125C	1 μ F
3	1	C2	Capacitor 0805 X7R -55C ... +125C	10 μ F
4	1	U1	SCH1600 Sensor	
5	1	J1	8-pin through hole pin header, pitch 100 mils, pin size 0.63x0.63mm, length ~5.85mm (example mating part: Samtec: SSQ-108-01-S-S)	
6	1	J2	7-pin through hole pin header, pitch 100 mils, pin size 0.63x0.63mm, length ~5.85mm (example mating part: Samtec: SSQ-107-01-S-S)	
7	1	J3	3-pin through hole pin header, pitch 100 mils, pin size 0.63x0.63mm, length ~5.85mm (example mating part: Samtec: SSQ-103-01-S-S)	

Detailed pictures of the SCH1600 PCB are presented on following pages:

- PCB layout
- Assembly drawings
- Circuit diagram

PCB mechanical dimensions:

- Width 42.9 mm
- Height 27.4 mm
- Height 13.8 mm (incl. components and pin headers)

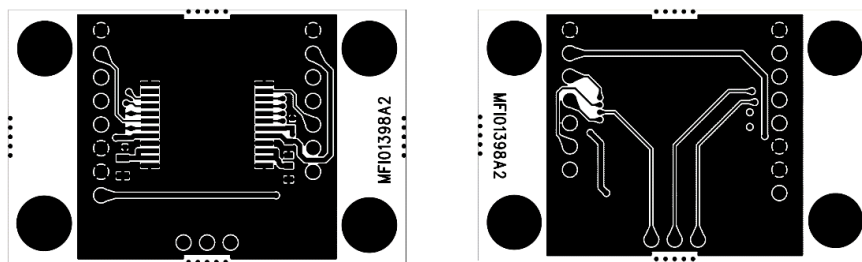


Figure 2. TOP (left) and BOTTOM (right) layout of SCH1600 PCB (aspect ratio not 1:1)

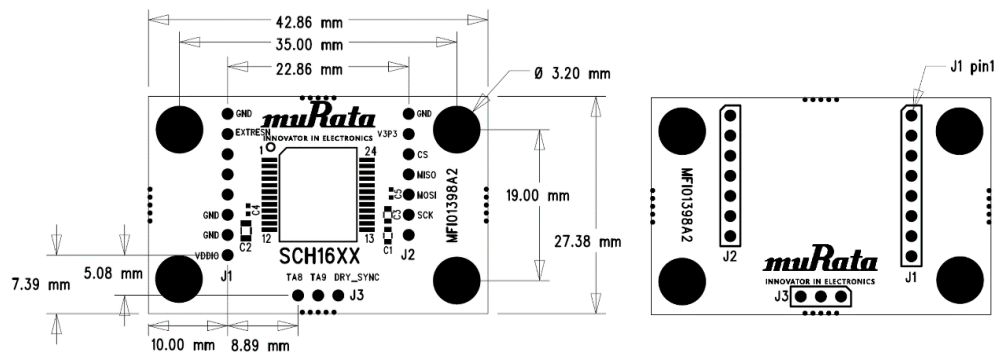


Figure 3. TOP (left) and BOTTOM (right) view assembly drawings for SCH1600 PCB (aspect ratio not 1:1)

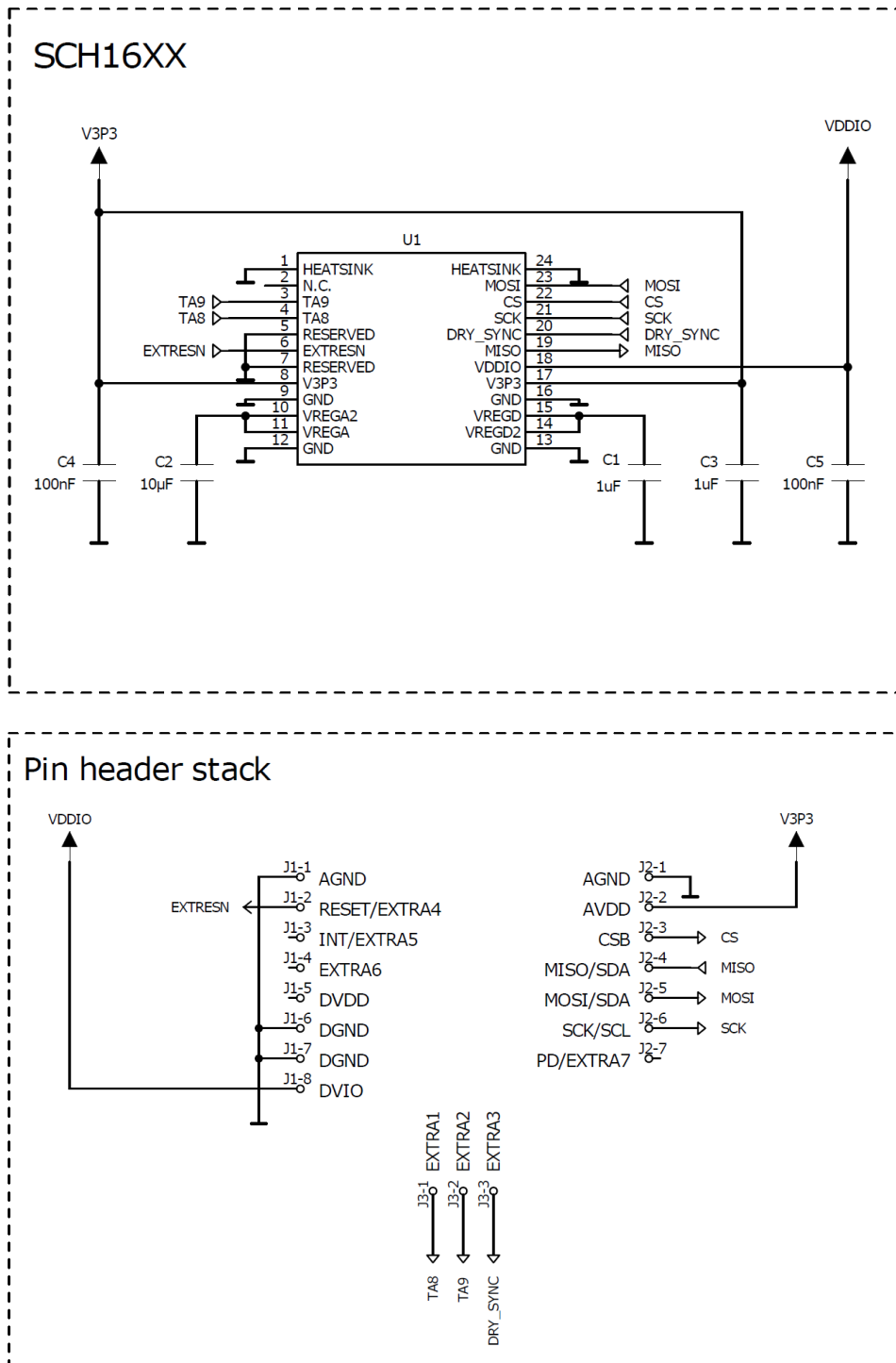


Figure 4. SCH1600 PCB circuit diagram

We are here for you. Addresses and Contacts.

Headquarter Switzerland:

Angst+Pfister Sensors and Power AG
Thurgauerstrasse 66
CH-8050 Zurich
Phone +41 44 877 35 00
sensorsandpower@angst-pfister.com

Office Germany:

Angst+Pfister Sensors and Power Deutschland GmbH
Edisonstraße 16
D-85716 Unterschleißheim
Phone +49 89 374 288 87 00
sensorsandpower.de@angst-pfister.com

Scan here and get an overview of personal contacts!



sensorsandpower.angst-pfister.com
