

SCA3300 PCB SPECIFICATION



SCA3300 Chip Carrier PCB

The purpose of the SCA3300 Chip Carrier PCB is to enable fast prototyping.

SCA3300 Chip Carrier PCB includes:

- SCA3300 sensor soldered on PCB
- PCB design # 01059 with pin headers and passive components

Please refer to SCA3300 datasheet when using the Chip Carrier PCB.

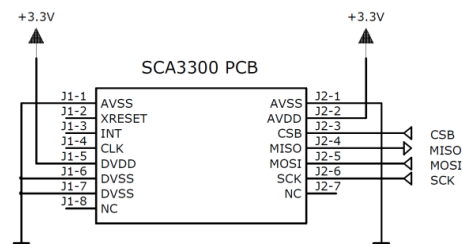


Figure 1. SCA3300 PCB pinout and external connections.

Table 1. BOM of the SCA3300 PCB.

Item	Qty	Ref	Part Name / type	Value
1	4	C1-4	Capacitor 0603	100 nF
2	2	C5-6 (Optional)	Capacitor 0603	10 μF
3	1	U1	SCA3300 Accelerometer	
4	1	J1	8-pin through hole pin header, pitch 100 mils, pin size 0.63x0.63mm, length ~5.85mm (example mating part: Samtec: SSQ-108-01-S-S)	
5	1	J2	7-pin through hole pin header, pitch 100 mils, pin size 0.63x0.63mm, length ~5.85mm (example mating part: Samtec: SSQ-107-01-S-S)	

Detailed pictures of the SCA3300 PCB are presented on following pages:

- PCB layout
- Assembly drawings
- Circuit diagram

PCB mechanical dimensions:

- Width 42.9 mm
- Height 27.4 mm
- Height 15.1 mm (incl. components and pin headers)

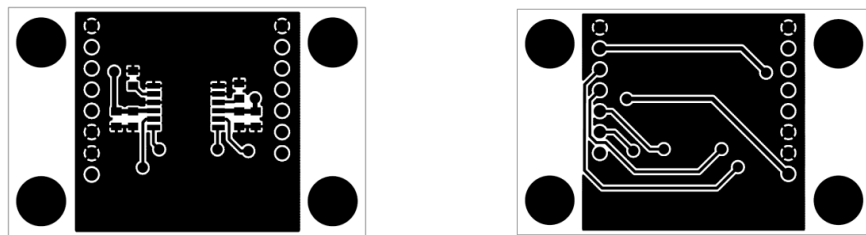


Figure 2. TOP (left) and BOTTOM (right) layout of SCA3300 PCB (aspect ratio not 1:1).

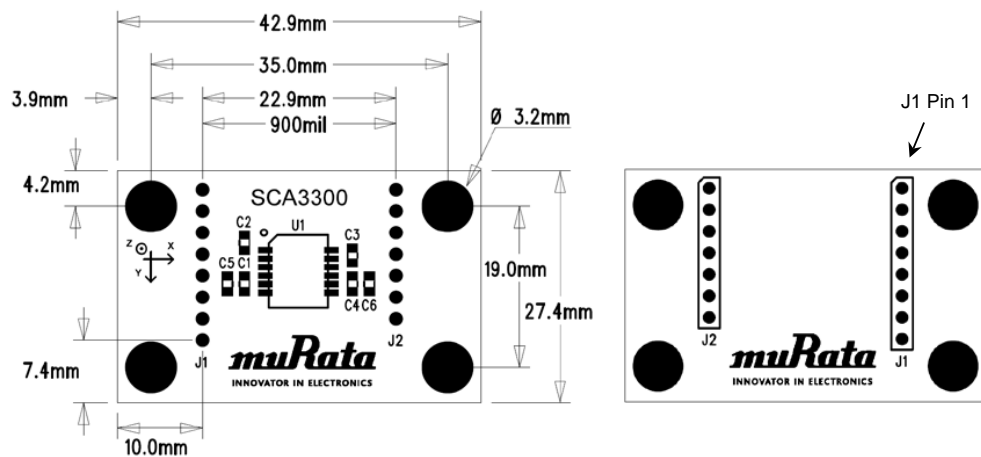


Figure 3. TOP (left) and BOTTOM (right) view assembly drawings for SCA3300 PCB (aspect ratio not 1:1).

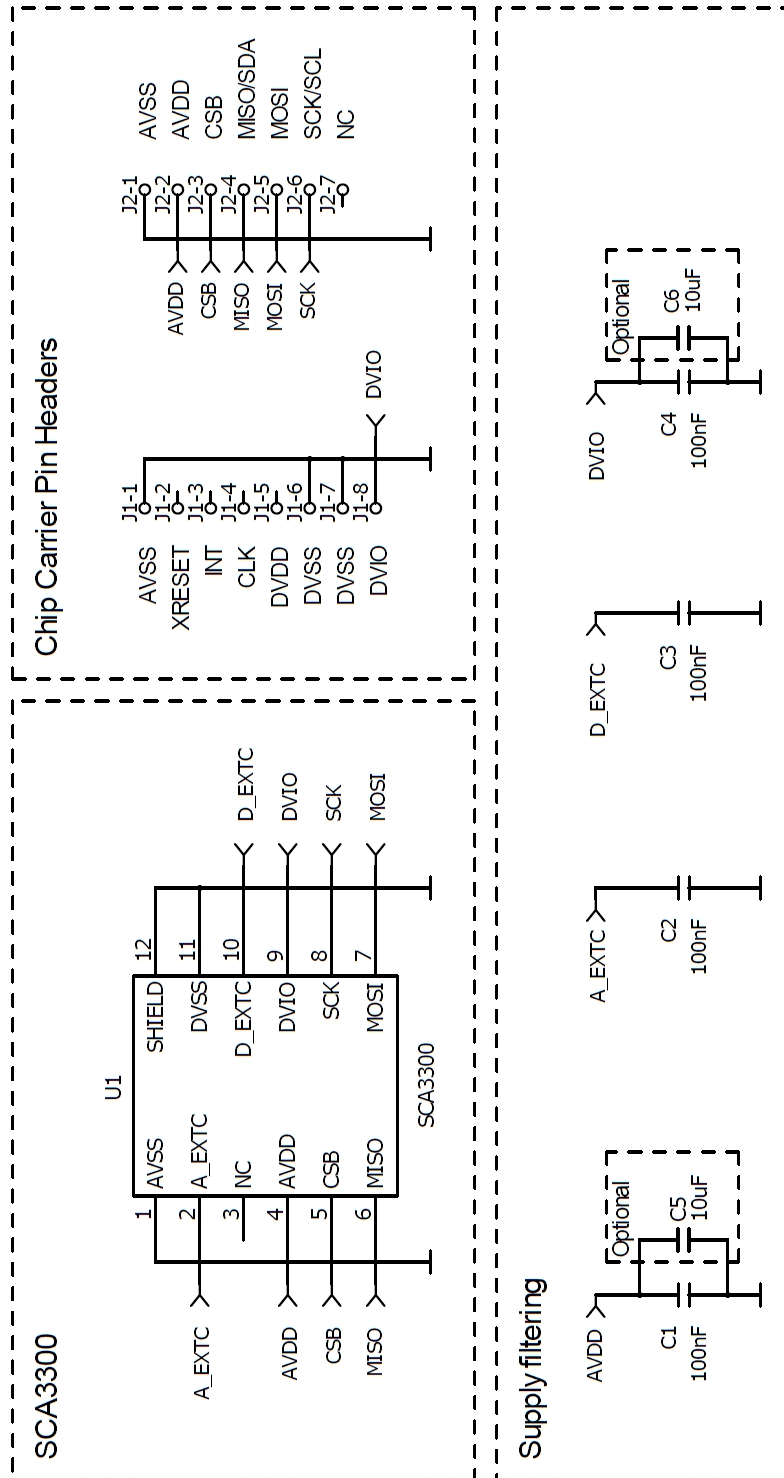


Figure 4. SCA3300 PCB circuit diagram.

We are here for you. Addresses and Contacts.

Headquarter Switzerland:

Angst+Pfister Sensors and Power AG
Thurgauerstrasse 66
CH-8050 Zurich
Phone +41 44 877 35 00
sensorsandpower@angst-pfister.com

Office Germany:

Angst+Pfister Sensors and Power Deutschland GmbH
Edisonstraße 16
D-85716 Unterschleißheim
Phone +49 89 374 288 87 00
sensorsandpower.de@angst-pfister.com

Scan here and get an overview of personal contacts!



sensorsandpower.angst-pfister.com
