



Silicon Sensing Proprietary Information



Gemini™ Dual Axis Accelerometer Evaluation Boards

May 2015



Silicon Sensing is a joint venture between UTC Aerospace Systems and Sumitomo Precision Products

Silicon Sensing Proprietary Information

Gemini™ Dual Axis Accelerometer Evaluation Boards

SILICON
SENSING®



**To be the leading provider of affordable, high
performance, high integrity MEMS inertial
products and foundry services**

Silicon Sensing is a joint venture between UTC Aerospace Systems and Sumitomo Precision Products

2

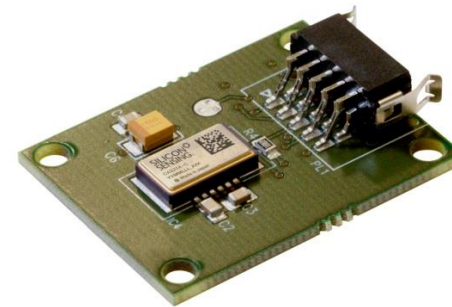
Silicon Sensing Proprietary Information

SILICON
SENSING®

Gemini™ Dual-Axis Accelerometer Evaluation Boards

Gemini™ dual-axis accelerometer evaluation boards are available for the in-plane and orthogonal versions:

**In-plane CAS21x Dual-Axis Accelerometer Evaluation Board
(Part Number – CAS21x-02-0302)**



**Orthogonal CAS29x Dual-Axis Accelerometer Evaluation Board
(Part Number – CAS29x-02-0302)**



Statement of Use and Disclaimer

Statement of Use and Disclaimer For Silicon Sensing Systems Evaluation Boards

The Evaluation Boards described in this document are development tools and as such are provided solely for the evaluation and assessment by the Purchaser of the suitability of the Silicon Sensing Systems Limited (SSSL) range of Inertial Sensors within the Purchaser's application. They are not to be used either as an integral or discrete part or component within any Purchaser application or product. SSSL does not warrant the specification or performance of these boards in anyway whatsoever in such circumstances where use by the Purchaser for any application or product is in contravention of the foregoing advice from SSSL.

The Purchaser uses these Evaluation Boards entirely at its own risk and shall fully indemnify SSSL from any and all Purchaser or third party claims, losses, costs, damages and expenses and related liability whether in contract or tort that may arise from such improper use as provided in this statement.

This statement is supplementary to SSSL Standard Terms and Conditions. In the event of any conflict this Statement shall prevail and all other terms shall remain valid and enforceable.

Silicon Sensing Proprietary Information

Gemini™ Dual Axis Accelerometer Evaluation Boards

SILICON
SENSING®

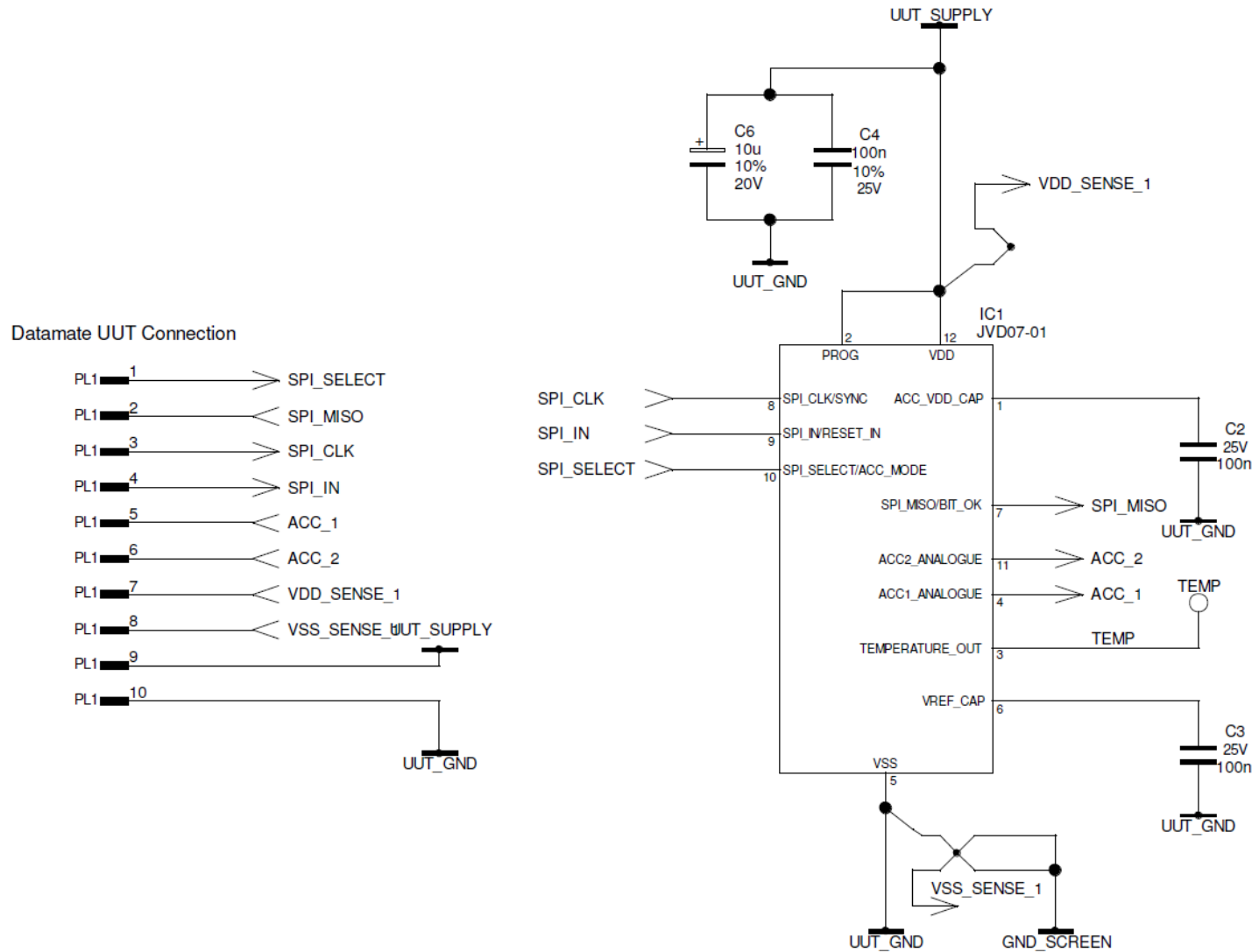


Gemini™ Dual Axis Accelerometer Evaluation Boards:

Two Part Numbers Available: CAS21x-02-0302 (CAS21x) and
CAS29x-02-0302 (CAS29x)

Board Size:	34mm x 26mm
PCB material:	1.6mm FR4, solder resist.
Power Supply:	+3V3 and 0V
Analogue outputs:	Yes
Digital interface:	SPI Bus.
Dynamic Ranges:	±0.85g, ±2.5g, ±10g, ±30g and ±96g linear acceleration

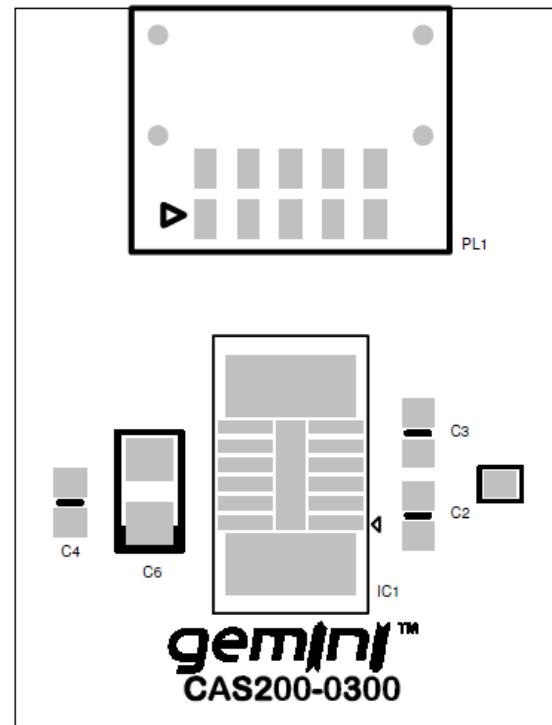
CAS21x Evaluation Board Schematic



Silicon Sensing is a joint venture between UTC Aerospace Systems and Sumitomo Precision Products

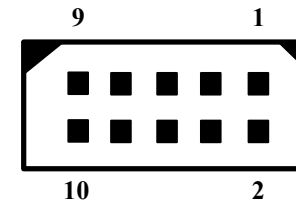
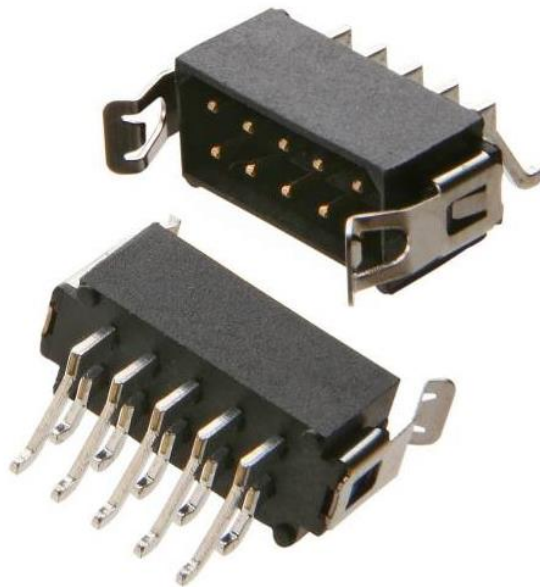
6

CAS21x Evaluation Board Pad locations



CAS2xx Evaluation Boards Connector Details

SILICON
SENSING®



10 way Datamate-Viewed
from front

Harwin M80-6661042
2mm pitch right angle double
row 10 way connector

Contact Details

SILICON
SENSING®



Silicon Sensing Systems Ltd
Clifford Road
Southway
Plymouth
Devon
PL6 6DE

Tel (UK): +44 1752 723330
Fax (UK): +44 1752 723331

E-mail : sales@siliconsensing.com
Website : www.siliconsensing.com

We are here for you. Addresses and Contacts.

Headquarter Switzerland:

Angst+Pfister Sensors and Power AG
Thurgauerstrasse 66
CH-8050 Zurich
Phone +41 44 877 35 00
sensorsandpower@angst-pfister.com

Office Germany:

Angst+Pfister Sensors and Power Deutschland GmbH
Edisonstraße 16
D-85716 Unterschleißheim
Phone +49 89 374 288 87 00
sensorsandpower.de@angst-pfister.com

Scan here and get an overview of personal contacts!



sensorsandpower.angst-pfister.com