



VQ6 Series Thermal Conductivity Gas Detector Elements

To be read in conjunction with "Introduction to Pellistor Gas Sensors" and Pellistor Application Note 5 - Thermal Conductivity Sensors.

INTRODUCTION

The VQ6 series devices consist of two matched elements which are used for the detection of gases in 0 - 100% by volume concentrations using the recommended bridge circuit (see below) and the mounting arrangement shown on page 3. The VQ6M is supplied with braided leads and the VQ6MB has extended pins for fitting directly to printed circuit boards.

The elements operate on the thermal conductivity principle. The sensing element is open to the atmosphere under test and the reference element is supplied sealed in reference air. The response of the devices is dependent upon the difference between the thermal conductivity of the atmosphere under test and the reference air. When the atmosphere under test has a thermal conductivity higher than the reference air, the sensing element loses more heat to the surroundings than the reference element. This increased heat loss causes a cooling of the sensing element and a subsequent reduction in the resistance of the sensing element compared to the reference element.

The thermal conductivity of a gas mixture is dependent on temperature and the individual thermal conductivity of the constituents of the mixture. The temperature of importance is the operating temperature of the sensing element (typically a maximum of 500 °C at the recommended bridge supply voltage). The sensor can be operated at any bridge voltage up to and including the recommended bridge supply, with the sensing element therefore running at temperatures up to and including the typical maximum. The thermal conductivity of some of the more common gases relative to air is tabulated on page 2 at various temperatures. **Note that when operating the sensor in a constant voltage mode the response will be non-linear to increasing concentrations of a gas.**

GENERAL DATA

Electrical

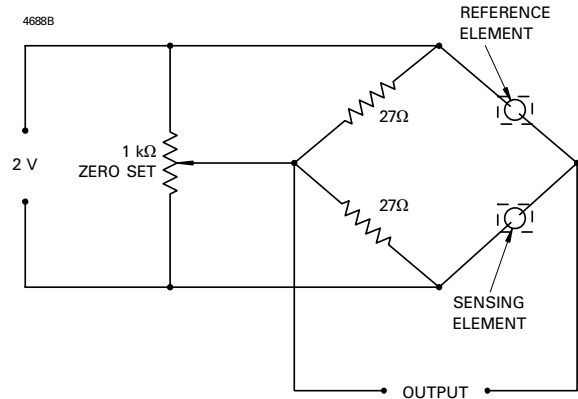
The information given below relates to the VQ6 series operating in the recommended circuit shown.

| | |
|------------------------------------|-------------------|
| Operation (see note 1) | continuous |
| Bridge supply | 2.0 ± 0.1 V |
| Bridge power consumption | 0.75 W max |
| Typical response to methane in air | |
| (see note 2) | 1.0 mV/ % methane |
| Response time | see note 3 |

Mechanical

| | |
|----------------|-------------------------------------|
| Mounting | see page 3 |
| Outlines | see page 2 |
| Shock test | 250 g, 5 blows in each plane |
| Vibration test | 20 g, 24 cycles from 100 to 3200 Hz |

BRIDGE CIRCUIT



MARKING

Each element is identified by a unique serial number written on the can of both the sensing and reference elements. The serial number is written in red on the sensing element and black on the reference element. In addition, the sensing element carries a red circular label on the base identifying the device type.

NOTES

1. Operation may be under either direct flow or diffusion conditions in appropriate mountings (see page 3).
2. With open-circuit conditions at the bridge output.
3. The response time is a function of the type of mounting used.

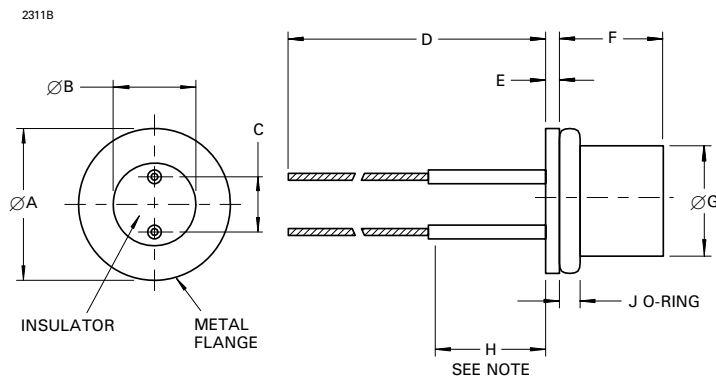
ORDERING INFORMATION

| Order Code | Description |
|------------|---|
| VQ6 | Flexi-leg sensor with open compensator can. This device needs to have the compensator mounted in a sealed chamber filled with air or nitrogen. |
| VQ6B | PCB legged sensor with open compensator can. This device needs to have the compensator mounted in a sealed chamber filled with air or nitrogen. |
| VQ6M | Flexi-leg sensor with sealed compensator can. |
| VQ6MB | PCB legged sensor with sealed compensator can. |

THERMAL CONDUCTIVITY OF GASES (Relative to air)

| Element temperature | 0 °C | 100 °C | 200 °C | 300 °C | 400 °C | 500 °C | 600 °C |
|---------------------|-------|--------|--------|--------|--------|--------|--------|
| Air | 1.000 | 1.000 | 1.000 | 1.000 | 1.000 | 1.000 | 1.000 |
| Nitrogen | 0.996 | 0.993 | 0.997 | 0.999 | 0.998 | 0.994 | 0.988 |
| Oxygen | 0.987 | 1.026 | 1.049 | 1.062 | 1.065 | 1.062 | 1.056 |
| Argon | 0.686 | 0.687 | 0.682 | 0.674 | 0.663 | 0.650 | 0.636 |
| Carbon dioxide | 0.621 | 0.745 | 0.832 | 0.893 | 0.933 | 0.959 | 0.975 |
| Water vapour | 0.969 | 1.076 | 1.192 | 1.303 | 1.404 | 1.493 | 1.574 |
| Methane | 1.244 | 1.500 | 1.723 | 1.911 | 2.066 | 2.192 | 2.296 |
| Ethane | 0.742 | 1.027 | 1.271 | 1.474 | 1.638 | 1.769 | 1.874 |
| Propane | 0.619 | 0.874 | 1.092 | 1.271 | 1.415 | 1.529 | 1.619 |
| Carbon monoxide | 0.961 | 0.962 | 0.970 | 0.975 | 0.976 | 0.974 | 0.970 |
| Ethylene | 0.703 | 0.970 | 1.195 | 1.378 | 1.524 | 1.637 | 1.727 |
| Acetylene | 0.886 | 1.040 | 1.155 | 1.240 | 1.301 | 1.344 | 1.376 |
| Hydrogen | 7.371 | 6.918 | 6.692 | 6.548 | 6.435 | 6.336 | 6.252 |
| Helium | 5.972 | 5.681 | 5.492 | 5.338 | 5.197 | 5.062 | 4.939 |
| Ammonia | 1.082 | 1.295 | 1.493 | 1.670 | 1.824 | 1.955 | 2.069 |

OUTLINE OF VQ6M (All dimensions without limits are nominal)

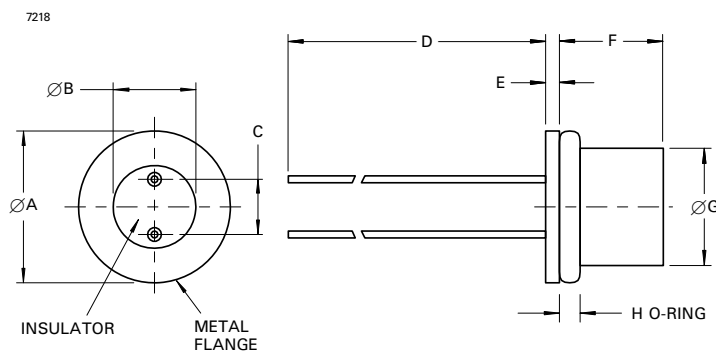


| Ref | Millimetres |
|-----|--------------|
| A | 11.05 ± 0.25 |
| B | 6.10 ± 0.25 |
| C | 3.56 ± 0.13 |
| D | 63.5 min |
| E | 1.0 |
| F | * |
| G | 8.2 max |
| H | 9.53 |
| J | 1.5 |

* sensing element 6.25 ± 0.50
reference element 7.75 ± 0.38

Note No bends may be made in this length.

OUTLINE OF VQ6MB (All dimensions without limits are nominal)

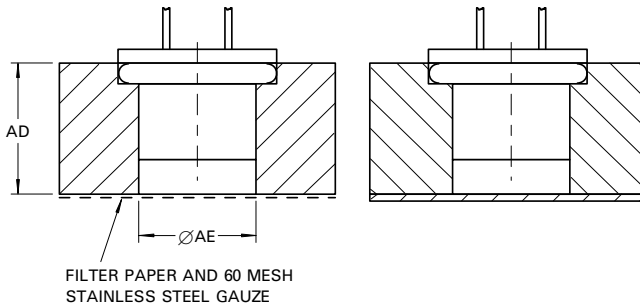
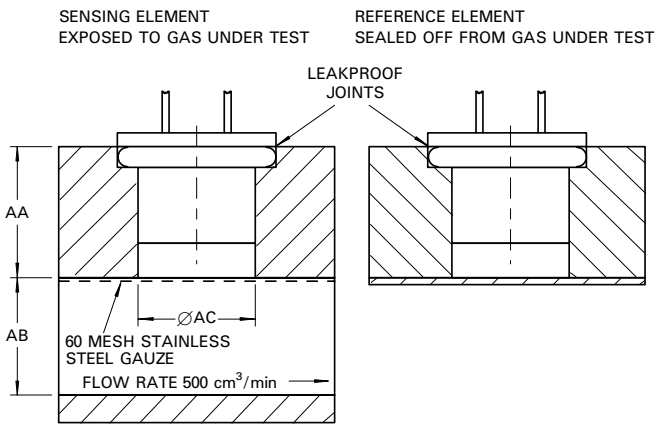


| Ref | Millimetres |
|-----|--------------|
| A | 11.05 ± 0.25 |
| B | 6.10 ± 0.25 |
| C | 3.56 ± 0.13 |
| D | 40.0 min |
| E | 1.0 |
| F | * |
| G | 8.2 max |
| H | 1.5 |

* sensing element 6.25 ± 0.50
reference element 7.75 ± 0.38

RECOMMENDED MOUNTING ARRANGEMENTS

4689A



| Ref | Millimetres |
|-----|-------------|
| AA | 9.53 ± 0.13 |
| AB | 8.33 ± 0.13 |
| AC | 8.20 min |
| AD | 9.53 ± 0.13 |
| AE | 8.20 min |

Headquarter Switzerland:
Angst+Pfister Sensors and Power AG

Thurgauerstrasse 66
CH-8050 Zurich
Phone +41 44 877 35 00
sensorsandpower@angst-pfister.com

Office Germany:
Angst+Pfister Sensors and Power
Deutschland GmbH
Edisonstraße 16
D-85716 Unterschleißheim
Phone +49 89 374 288 87 0
sensorsandpower.de@angst-pfister.com



We are here for you. Addresses and Contacts.

Sales Germany & Austria

Geometrical sensors
Other products

Kurt Stritzelberger
Phone +49 89 374 288 87 22
kurt.stritzelberger@angst-pfister.com

Pressure sensors
Other products

Gerhard Vetter
Phone +49 89 374 288 87 26
gerhard.vetter@angst-pfister.com

Gas sensors and modules

Peter Felder
Phone +41 44 877 35 05
peter.felder@angst-pfister.com

Sales Switzerland & Liechtenstein

Postcode 3000 – 9999

Basil Frei
Phone +41 44 877 35 18
basil.frei@angst-pfister.com

Postcode 1000 – 2999

Christian Mohrenstecher
Phone +41 76 444 57 93
christian.mohrenstecher@angst-pfister.com

Sales International Key Accounts

Peter Felder
Phone +41 44 877 35 05
peter.felder@angst-pfister.com

Sales Other Countries / Product Management

Pressure Sensors
Load Cells

Philipp Kistler
Phone +41 44 877 35 03
philipp.kistler@angst-pfister.com

Gas sensors
Gas sensor modules

Dr. Thomas Clausen
Phone +49 89 374 288 87 24
thomas.clausen@angst-pfister.com

Flow / Level / Medical products

Dr. Adriano Pittarelli
Phone +49 89 374 288 87 67
adriano.pittarelli@angst-pfister.com

Power supplies

Sebastiano Leggio
Phone +41 44 877 35 06
sebastiano.leggio@angst-pfister.com

Linear position sensors
Angle sensors

Eric Letsch
Phone +41 44 877 35 14
eric.letsch@angst-pfister.com

Accelerometers
Sensor elements

Christoph Kleye
Phone +49 89 374 288 87 61
christoph.kleye@angst-pfister.com

Drive technology
CH Postcode 5000 – 9999 / DE

Roman Homa
Phone +41 76 444 00 86
roman.homa@angst-pfister.com

Drive technology
CH Postcode 1000 – 4999 / AT / IT / FR

Christian Mohrenstecher
Phone +41 76 444 57 93
christian.mohrenstecher@angst-pfister.com

Harald Thomas
Phone +49 89 374 288 87 23
harald.thomas@angst-pfister.com