

SGX-7NH3-1000

Industrial Ammonia Sensor

(Application : Fixed Gas Detectors)

PERFORMANCE

Range	0 - 1000 ppm
Output Signal	8 ± 4 nA / ppm
Typical Baseline Range (pure air)	±1 ppm NH3 equivalent
Linearity	Linear
Response time (T ₉₀)	< 60 seconds
Maximum Overload	1500 ppm
Long-term output drift	< 20% per annum
Recommended Load Resistor	10 Ohms
Responsibility	±10%
Resolution	5 ppm
Warranty	1 Year
Bias	No Bias

OPERATING CONDITIONS

Temperature Range	-40°C to +50°C
Operating Humidity	15 – 90% RH (non-condensing)
Pressure range	800 to 1200 mbar
Operating Circuit	See Application Note 2
Recommended Storage Temperature	0°C to 20°C
Expected Operating Life	> 24 Months in Air

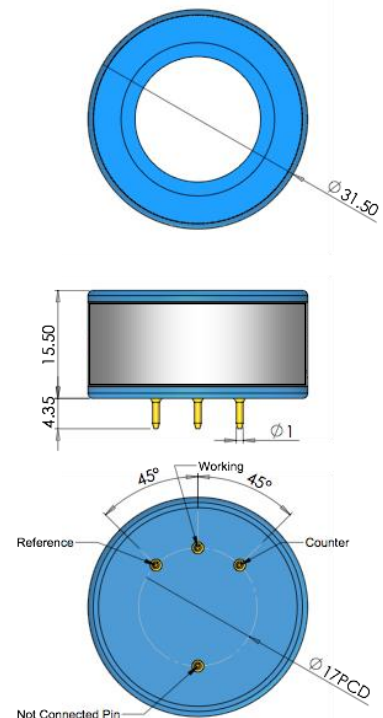
INTRINSIC SAFETY DATA

Maximum at 2000 ppm	0.3 mA
Maximum o/c Voltage	1.3 V
Maximum s/c Current	<1.0 A

PRODUCT DIMENSIONS

All dimensions in mm

All tolerances ±0.15 mm



IMPORTANT NOTES

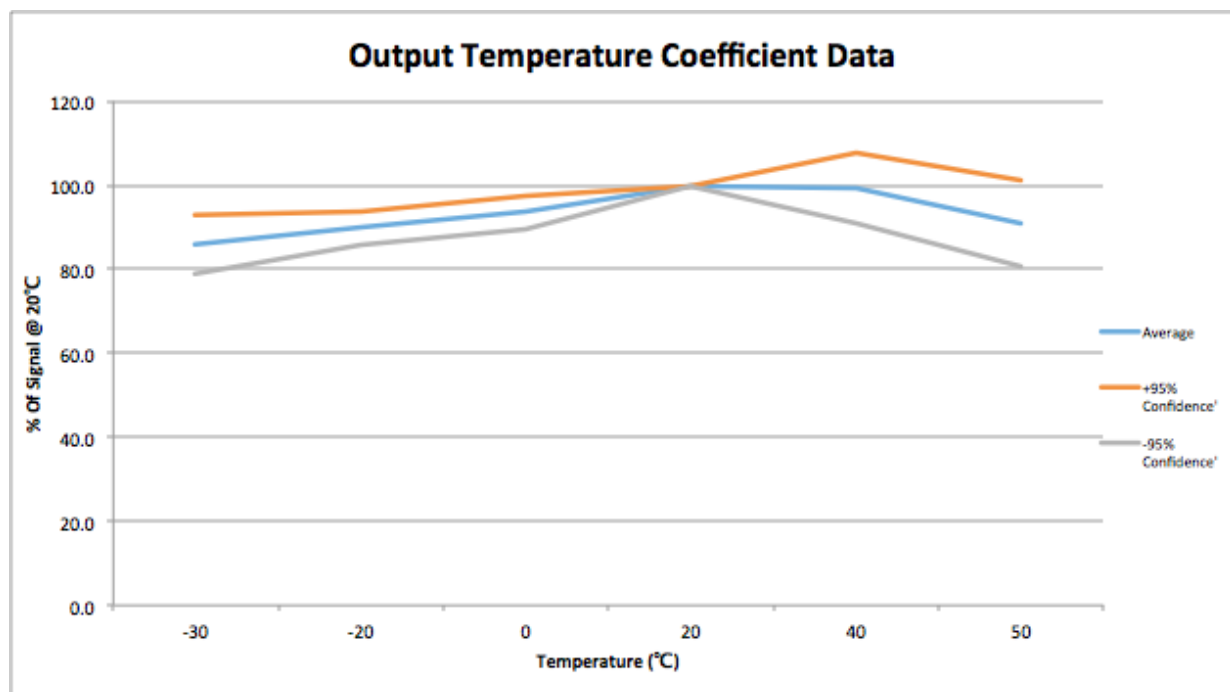
- All performance is based on conditions at 20°C, 50% RH and 1 atm, using SGX recommended circuitry.
- Sensor performance is temperature dependant. Please see graph on page 2.
- Do not solder to the connector pins as this may damage the sensor and thereby invalidate the warranty.
- Details on recommended connector pins can be found in the Frequently Asked Questions within the Gas Sensor section of the SGX website.
- This device is designed to be RoHS compliant.

Whilst SGX has taken care to ensure the accuracy of the information contained herein it accepts no responsibility for the consequences of any use thereof and also reserves the right to change the specification of goods without notice. SGX accepts no liability beyond the set out in its standard conditions of sale in respect of infringement of third party patents arising from the use of SGX products in accordance with information contained herein.
In case of modification of the product, SGX disclaims all liability.

CROSS-SENSITIVITY DATA

Gas	Test Concentration (ppm)	Displayed Readings as H2S (ppm)
Carbon Monoxide	500 ppm	0 ppm
Sulphur dioxide	20 ppm	-6 ppm
Nitric Oxide	35 ppm	0 ppm
Hydrogen	100 ppm	0 ppm
Hydrogen Sulphide	15 ppm	<30 ppm
Nitrogen Dioxide	20 ppm	-20 ppm

Note: This table is for reference only. Calibration should be carried out with the actual gas at a known concentration.



POISONING

SGX sensors are designed to operate in a wide range of harsh environments and conditions. However it is important that exposure to high concentrations of solvent vapours is avoided, both during storage, fitting into instruments and operation. When using sensors on printed circuit boards (PCB's), degreasing agents should be used prior to the sensor being fitted.

Headquarter Switzerland:
Angst+Pfister Sensors and Power AG

Thurgauerstrasse 66
CH-8050 Zurich
Phone +41 44 877 35 00
sensorsandpower@angst-pfister.com

Office Germany:
Angst+Pfister Sensors and Power
Deutschland GmbH
Edisonstraße 16
D-85716 Unterschleißheim
Phone +49 89 374 288 87 0
sensorsandpower.de@angst-pfister.com



We are here for you. Addresses and Contacts.

Sales Germany & Austria

Geometrical sensors
Other products

Kurt Stritzelberger
Phone +49 89 374 288 87 22
kurt.stritzelberger@angst-pfister.com

Pressure sensors
Other products

Gerhard Vetter
Phone +49 89 374 288 87 26
gerhard.vetter@angst-pfister.com

Gas sensors and modules

Peter Felder
Phone +41 44 877 35 05
peter.felder@angst-pfister.com

Sales Switzerland & Liechtenstein

Postcode 3000 – 9999

Basil Frei
Phone +41 44 877 35 18
basil.frei@angst-pfister.com

Postcode 1000 – 2999

Christian Mohrenstecher
Phone +41 76 444 57 93
christian.mohrenstecher@angst-pfister.com

Sales International Key Accounts

Peter Felder
Phone +41 44 877 35 05
peter.felder@angst-pfister.com

Sales Other Countries / Product Management

Pressure Sensors
Load Cells

Philipp Kistler
Phone +41 44 877 35 03
philipp.kistler@angst-pfister.com

Gas sensors
Gas sensor modules

Dr. Thomas Clausen
Phone +49 89 374 288 87 24
thomas.clausen@angst-pfister.com

Flow / Level / Medical products

Dr. Adriano Pittarelli
Phone +49 89 374 288 87 67
adriano.pittarelli@angst-pfister.com

Power supplies

Sebastiano Leggio
Phone +41 44 877 35 06
sebastiano.leggio@angst-pfister.com

Linear position sensors
Angle sensors

Eric Letsch
Phone +41 44 877 35 14
eric.letsch@angst-pfister.com

Accelerometers
Sensor elements

Christoph Kleye
Phone +49 89 374 288 87 61
christoph.kleye@angst-pfister.com

Drive technology
CH Postcode 5000 – 9999 / DE

Roman Homa
Phone +41 76 444 00 86
roman.homa@angst-pfister.com

Drive technology
CH Postcode 1000 – 4999 / AT / IT / FR

Christian Mohrenstecher
Phone +41 76 444 57 93
christian.mohrenstecher@angst-pfister.com

Harald Thomas
Phone +49 89 374 288 87 23
harald.thomas@angst-pfister.com