

Electrochemical 3 Electrode Sensor

EC4-CIO₂-5
Chlorine Dioxide

Electrochemical 3 Electrode Sensor

EC4-CIO₂-5 Chlorine Dioxide

Technical Specification



Part Number:
01-EC4-CIO₂-5-01

Features

- Zero Bias
- High Sensitivity
- High Selectivity
- Excellent Sensitivity at Low Temperatures
- Stable Zeropoint
- Water Based Electrolyte
- Double Sealed Housing for Advanced Leakage Protection

Typical Applications

- Leakage Detection
- TLV-monitoring
- General Industry
- Semiconductor Industry
- Emissions
- Industrial Safety
- Environmental Monitoring
- Portable and Fixed Point Applications
- TLV Monitoring
- Water Treatment Plants, Swimming Pools, Chemical Industry

Performance

Sensitivity	-325 ± 200 nA/ppm (negative current)
Zero current	± 20 nA
Response time	
-T ₅₀	< 20s
-T ₉₀	< 60s
Range	5 ppm
Repeatability	2%
Lower Detectable Limit (LDL)	≤ 0.05 ppm
Resolution (16Bit ADC)	< 0.01 ppm
Maximum overload	10 ppm
Linear range	5 ppm

Environment

Temperature Range	-20 to 40°C
Humidity Range (non condensing)	10 to 90 % R.H
Pressure Range	800 to 1200hPa

Operation

Operating principle	amperometric
Bias voltage	0mV
Recommended load resistor	220 Ω
Warm up time	< 60s

Lifetime

Long Term Sensitivity Drift	< 1%/month
Zero Drift in clean air	< 1ppm
Storage conditions	0-20 °C
Storage life	6 month
Expected Life Time	24 month
Warranty	12 month

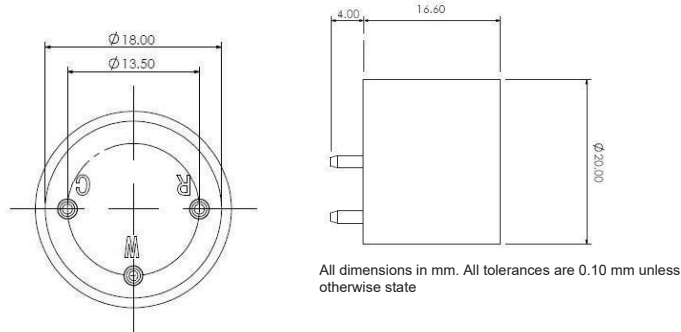
Housing

Housing material	PPO
Weight	< 8 g

Electrochemical 3 Electrode Sensor

EC4-CIO₂-5
Chlorine Dioxide

Dimensions



Cross sensitivity

Gas	Formula	Test concentration (ppm)	Sensor reading (ppm)
Hydrogen Fluoride	HF	3	0
Carbon Monoxide	CO	100	0
Chlorine	Cl ₂	1	1
Hydrogen	H ₂	1000	0
Hydrogen Sulphide	H ₂ S	10	0
Diborane	B ₂ H ₆	0.6	0.3
Hydrogen Chloride	HCl	20	0
Ammonia	NH ₃	100	0
Bromine	Br ₂	1	1,0
Fluorine	F ₂	1	0,4
Ozone	O ₃	0,25	0,05
Sulfur Dioxide	SO ₂	5	1

We are here for you. Addresses and Contacts.

Headquarter Switzerland:

Angst+Pfister Sensors and Power AG
Thurgauerstrasse 66
CH-8050 Zurich
Phone +41 44 877 35 00
sensorsandpower@angst-pfister.com

Office Germany:

Angst+Pfister Sensors and Power Deutschland GmbH
Edisonstraße 16
D-85716 Unterschleißheim
Phone +49 89 374 288 87 00
sensorsandpower.de@angst-pfister.com

Scan here and get an overview of personal contacts!



sensorsandpower.angst-pfister.com
