



EC4-2000-CO Carbon Monoxide Electrochemical Sensor

PERFORMANCE

Range	0 - 2000 ppm
Sensitivity	18 - 38 nA/ppm CO
Zero in air at 20 °C	<10 ppm CO
Resolution	10 ppm CO
Linearity	linear across range
Response time, t ₉₀	<35 s
Long-term output drift	<2% signal/month
Warranty	2 years

OPERATING CONDITIONS

Temperature range	-20 to +50 °C
Operating humidity	15 - 90% RH (non-condensing)
Pressure range	90 - 110 kPa (nominal)
Operating circuit	see Electrochemical Toxic Sensor Application Note

Applied potential	0 V
Storage life	6 months in original packaging (0 - 25 °C)

PHYSICAL CHARACTERISTICS

Label colour	silver
Weight	5 g approx.
Dimensions	see outline

This device is designed to be RoHS compliant.

CROSS-SENSITIVITY DATA

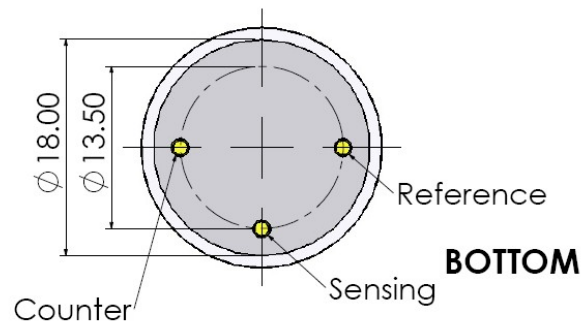
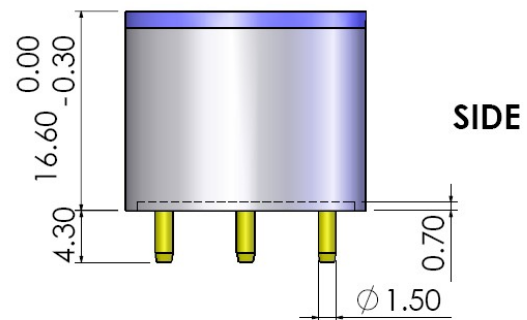
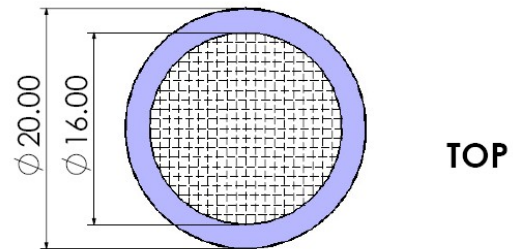
GAS	Concentration (ppm)	Sensor Response (As ppm CO)
Hydrogen Sulfide	15	0
Sulfur Dioxide	5	0
Chlorine	10	0
Nitric Oxide	35	-10 to 0
Nitrogen Dioxide	5	0
Hydrogen	100	<50
Ethene	100	<30
Ethanol	200	0

Important Note

Do not solder to the connector pins as this may damage the sensor and thereby invalidate the warranty.

Details on recommended connector pins can be found in the Frequently Asked Questions within the Gas Sensor section of the SGX website.

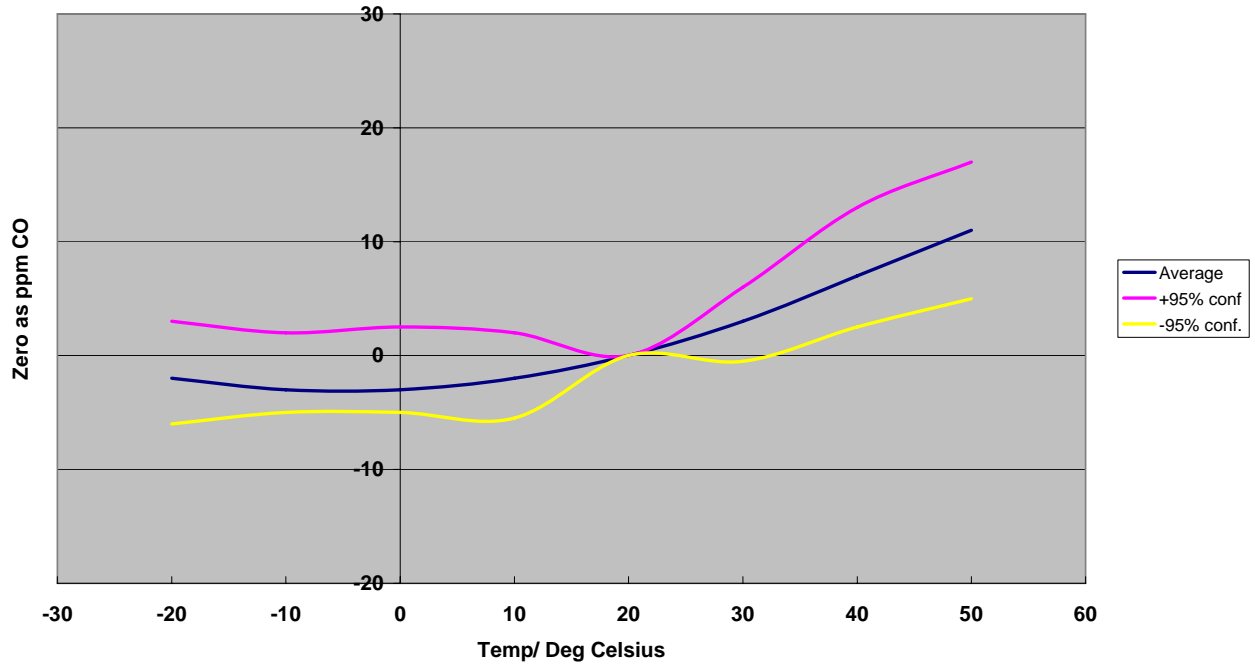
OUTLINE



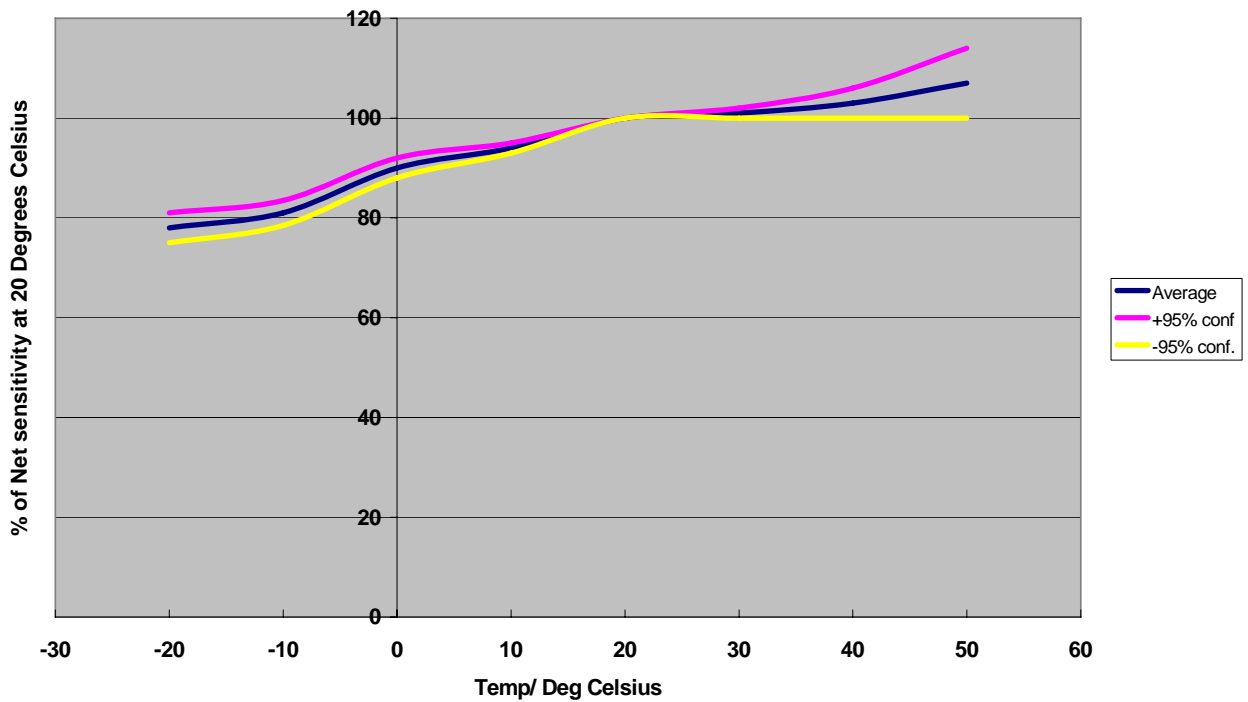
All dimensions in mm.
All tolerances ± 0.15 mm unless otherwise stated.

TEMPERATURE DEPENDENCE

EC-4-2000-CO Graph of Zero vs Temperature



EC-4-2000-CO Graph of Net Sensivity vs Temperature



A1A-764715 Version 2, October 2009

Headquarter Switzerland:
Angst+Pfister Sensors and Power AG

Thurgauerstrasse 66
CH-8050 Zurich
Phone +41 44 877 35 00
sensorsandpower@angst-pfister.com

Office Germany:
Angst+Pfister Sensors and Power
Deutschland GmbH
Edisonstraße 16
D-85716 Unterschleißheim
Phone +49 89 374 288 87 0
sensorsandpower.de@angst-pfister.com



We are here for you. Addresses and Contacts.

Sales Germany & Austria

Geometrical sensors
Other products

Kurt Stritzelberger
Phone +49 89 374 288 87 22
kurt.stritzelberger@angst-pfister.com

Pressure sensors
Other products

Gerhard Vetter
Phone +49 89 374 288 87 26
gerhard.vetter@angst-pfister.com

Gas sensors and modules

Peter Felder
Phone +41 44 877 35 05
peter.felder@angst-pfister.com

Sales Switzerland & Liechtenstein

Postcode 3000 – 9999

Basil Frei
Phone +41 44 877 35 18
basil.frei@angst-pfister.com

Postcode 1000 – 2999

Christian Mohrenstecher
Phone +41 76 444 57 93
christian.mohrenstecher@angst-pfister.com

Sales International Key Accounts

Peter Felder
Phone +41 44 877 35 05
peter.felder@angst-pfister.com

Sales Other Countries / Product Management

Pressure Sensors
Load Cells

Philipp Kistler
Phone +41 44 877 35 03
philipp.kistler@angst-pfister.com

Gas sensors
Gas sensor modules

Dr. Thomas Clausen
Phone +49 89 374 288 87 24
thomas.clausen@angst-pfister.com

Flow / Level / Medical products

Dr. Adriano Pittarelli
Phone +49 89 374 288 87 67
adriano.pittarelli@angst-pfister.com

Power supplies

Sebastiano Leggio
Phone +41 44 877 35 06
sebastiano.leggio@angst-pfister.com

Linear position sensors
Angle sensors

Eric Letsch
Phone +41 44 877 35 14
eric.letsch@angst-pfister.com

Accelerometers
Sensor elements

Christoph Kleye
Phone +49 89 374 288 87 61
christoph.kleye@angst-pfister.com

Drive technology
CH Postcode 5000 – 9999 / DE

Roman Homa
Phone +41 76 444 00 86
roman.homa@angst-pfister.com

Drive technology
CH Postcode 1000 – 4999 / AT / IT / FR

Christian Mohrenstecher
Phone +41 76 444 57 93
christian.mohrenstecher@angst-pfister.com

Harald Thomas
Phone +49 89 374 288 87 23
harald.thomas@angst-pfister.com