



EC4-20-SO2

Industrial Sulfur Dioxide Sensor

(Application : Portable Gas Detectors)

PERFORMANCE

Range	0 – 20 ppm
Maximum Overload	150 ppm
Sensitivity	400 to 600 nA/ppm SO ₂
Zero in Air at 20°C	< ±0.4 µA
Baseline Drift (-20°C to +40°C)	0 to 0.05 ppm SO ₂ equivalent
Resolution	0.1 ppm SO ₂
Linearity	Linear Across Range
Response time (T ₉₀)	< 45 seconds
Long-term Output Drift	< 2% signal/month
Warranty	1 year
Bias	No Bias

OPERATING CONDITIONS

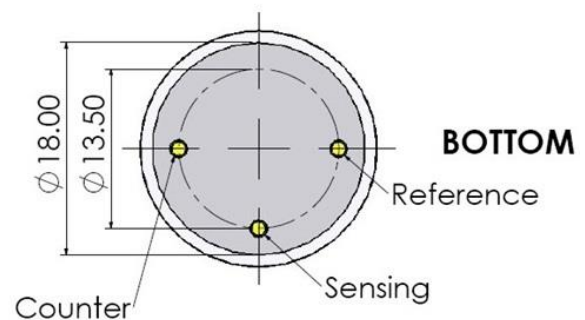
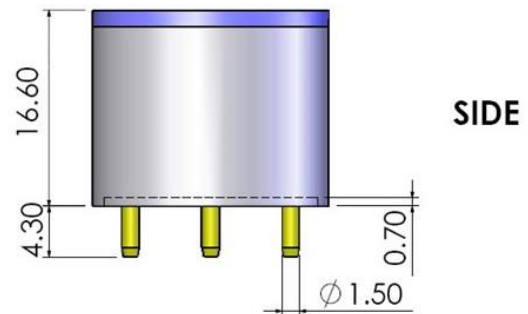
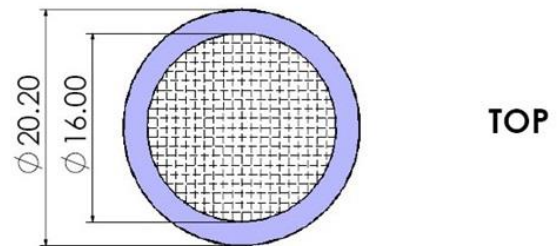
Temperature Range	-20°C to +40°C
Operating Humidity	15 – 90% RH (non-condensing)
Pressure range	90 to 110 kPa
Operating Circuit	See Application Note 2
Storage life	6 months in original packing
Storage Temperature	0°C to 20°C
Expected Operating Life	2 years in air

PHYSICAL CHARACTERISTICS

Weight	5 g
Orientation Sensitivity	None
Dimensions	See Outline

OUTLINE

All Dimensions are in mm
All tolerances are ±0.2mm



Whilst SGX has taken care to ensure the accuracy of the information contained herein it accepts no responsibility for the consequences of any use thereof and also reserves the right to change the specification of goods without notice. SGX accepts no liability beyond the set out in its standard conditions of sale in respect of infringement of third party patents arising from the use of SGX products in accordance with information contained herein.
In case of modification of the product, SGX disclaims all liability.



CROSS-SENSITIVITY DATA

GAS	CONCENTRATION (ppm)	OUTPUT SIGNAL (ppm SO ₂ equivalent)
Carbon Monoxide	300	<3
Hydrogen Sulfide	15	0
Nitric Oxide	35	0
Nitrogen Dioxide	5	<-5

* See Important Notes

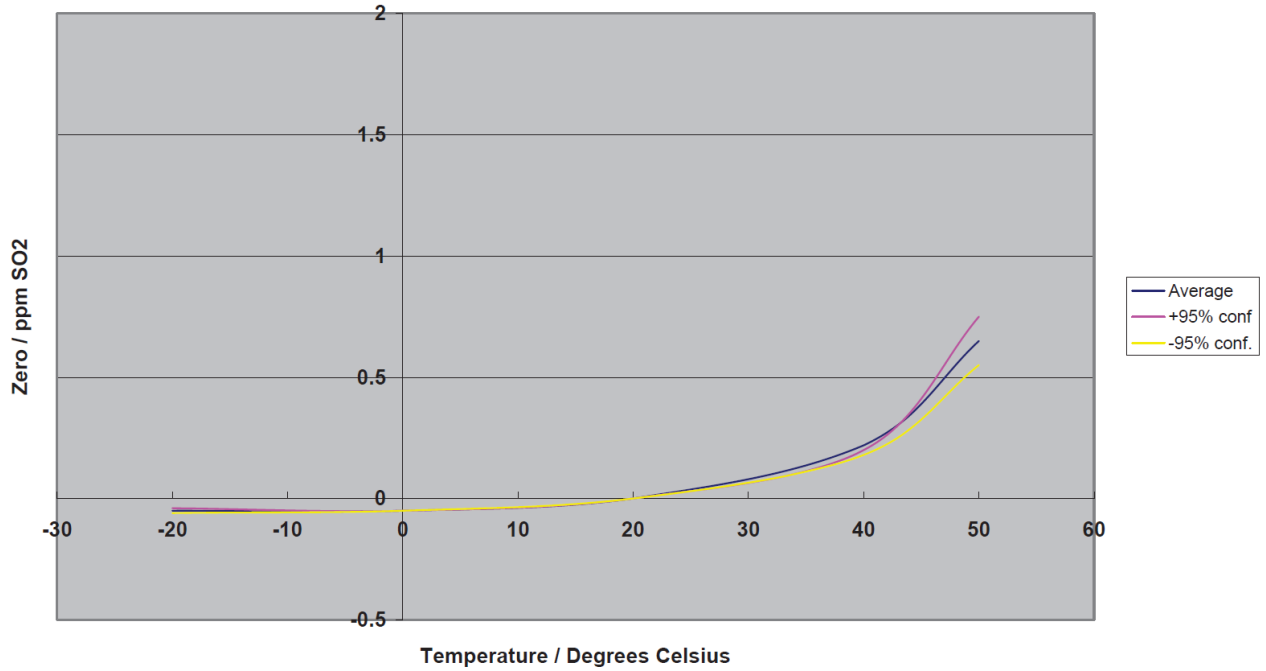
IMPORTANT NOTES

- 1.) Do not solder to the connector pins as this may damage the sensor and thereby invalidate the warranty.
- 2.) Details on recommended connector pins can be found in the Frequently Asked Questions within the Gas Sensor section of the SGX website.
- 3.) All performance specifications are based upon the following environmental conditions: 20°C, 50% relative humidity, 101kPa.
- 4.) Cross Sensitivity Data is for information only. Calibration is recommended with target gas as the accuracy of calibration and measurement cannot be ensured.
- 5.) The cross sensitivities are including but not limited to the gases stated in the table. It may respond to other gases.
- 6.) The cross sensitivities may fluctuate between $\pm 30\%$ and may differ from batch to batch or across sensor's life time.
- 7.) The device is designed to be RoHS compliant.

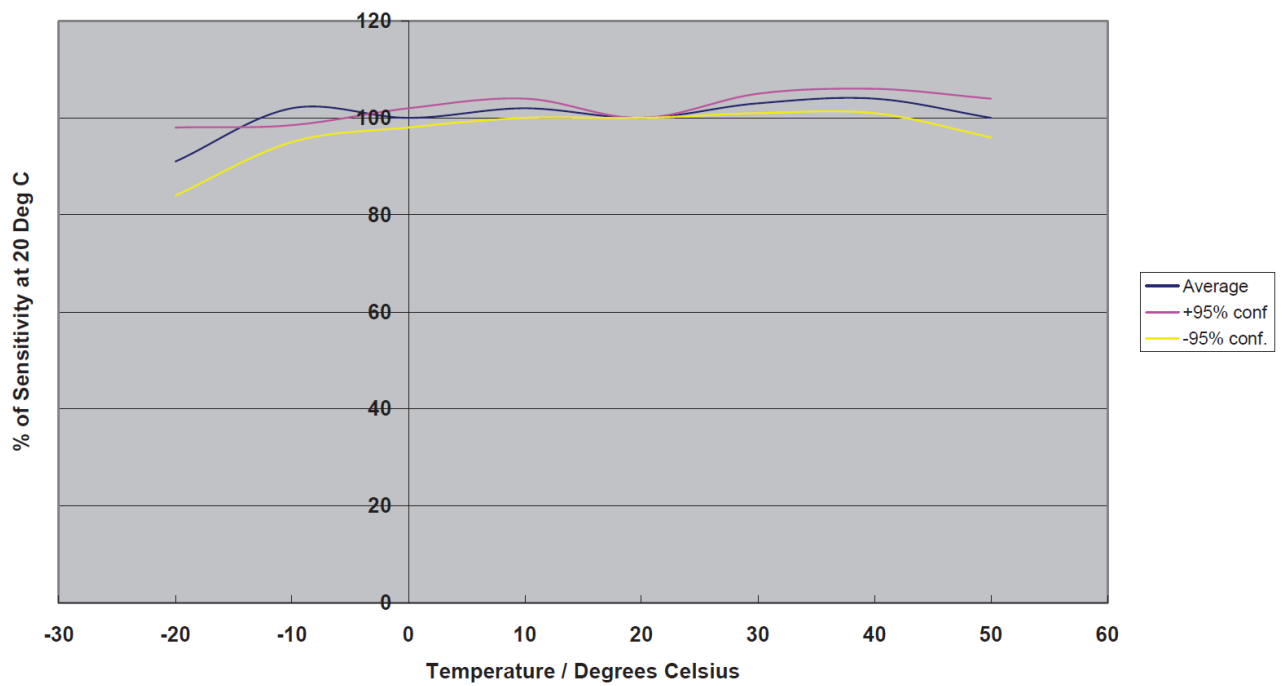


TEMPERATURE

EC4-20-SO2 Graph of Zero vs Temperature



EC4-20-SO2 Graph of Sensitivity vs Temperature



Headquarter Switzerland:
Angst+Pfister Sensors and Power AG

Thurgauerstrasse 66
CH-8050 Zurich
Phone +41 44 877 35 00
sensorsandpower@angst-pfister.com

Office Germany:
Angst+Pfister Sensors and Power
Deutschland GmbH
Edisonstraße 16
D-85716 Unterschleißheim
Phone +49 89 374 288 87 0
sensorsandpower.de@angst-pfister.com



We are here for you. Addresses and Contacts.

Sales Germany & Austria

Geometrical sensors
Other products

Kurt Stritzelberger
Phone +49 89 374 288 87 22
kurt.stritzelberger@angst-pfister.com

Pressure sensors
Other products

Gerhard Vetter
Phone +49 89 374 288 87 26
gerhard.vetter@angst-pfister.com

Gas sensors and modules

Peter Felder
Phone +41 44 877 35 05
peter.felder@angst-pfister.com

Sales Switzerland & Liechtenstein

Postcode 3000 – 9999

Basil Frei
Phone +41 44 877 35 18
basil.frei@angst-pfister.com

Postcode 1000 – 2999

Christian Mohrenstecher
Phone +41 76 444 57 93
christian.mohrenstecher@angst-pfister.com

Sales International Key Accounts

Peter Felder
Phone +41 44 877 35 05
peter.felder@angst-pfister.com

Sales Other Countries / Product Management

Pressure Sensors
Load Cells

Philipp Kistler
Phone +41 44 877 35 03
philipp.kistler@angst-pfister.com

Gas sensors
Gas sensor modules

Dr. Thomas Clausen
Phone +49 89 374 288 87 24
thomas.clausen@angst-pfister.com

Flow / Level / Medical products

Dr. Adriano Pittarelli
Phone +49 89 374 288 87 67
adriano.pittarelli@angst-pfister.com

Power supplies

Sebastiano Leggio
Phone +41 44 877 35 06
sebastiano.leggio@angst-pfister.com

Linear position sensors
Angle sensors

Eric Letsch
Phone +41 44 877 35 14
eric.letsch@angst-pfister.com

Accelerometers
Sensor elements

Christoph Kleye
Phone +49 89 374 288 87 61
christoph.kleye@angst-pfister.com

Drive technology
CH Postcode 5000 – 9999 / DE

Roman Homa
Phone +41 76 444 00 86
roman.homa@angst-pfister.com

Drive technology
CH Postcode 1000 – 4999 / AT / IT / FR

Christian Mohrenstecher
Phone +41 76 444 57 93
christian.mohrenstecher@angst-pfister.com

Harald Thomas
Phone +49 89 374 288 87 23
harald.thomas@angst-pfister.com