



**SENSORTECH**

**PERFORMANCE**

Range ..... 0 - 1000 ppm  
 Sensitivity ..... 50 - 130 nA/ppm H2S  
 Zero in air at 20 °C .....  $\pm 8$  ppm H2S  
 Resolution ..... 1 ppm H2S  
 Expected lifetime ..... 2 years  
 Linearity ..... linear across range  
 Response time,  $t_{90}$  ..... <45 s  
 Long-term output drift ..... change in output per month

**OPERATING CONDITIONS**

Temperature range ..... -20 to +50 °C  
 Temperature coefficient ..... <0.5% signal per °C  
 Operating humidity ..... 15 - 90% RH (non-condensing)  
 Pressure range ..... 90 - 110 kPa (nominal)  
 Operating circuit ..... see Electrochemical Toxic Sensor Application Note

Applied potential ..... 0 V  
 Storage life ..... 6 months in original packaging (0 - 25 °C)

**PHYSICAL CHARACTERISTICS**

Label colour ..... silver  
 Weight ..... 6 g  
 Dimensions ..... see outline

This device is designed to be RoHS compliant.

**CROSS-SENSITIVITY DATA**

GAS	Concentration (ppm)	Sensor Response (As ppm H2S)
Carbon Monoxide	300	0
Sulfur Dioxide	5	0
Nitric Oxide	35	<3
Nitrogen Dioxide	5	0
Hydrogen	1000	0
Isobutylene	100	0

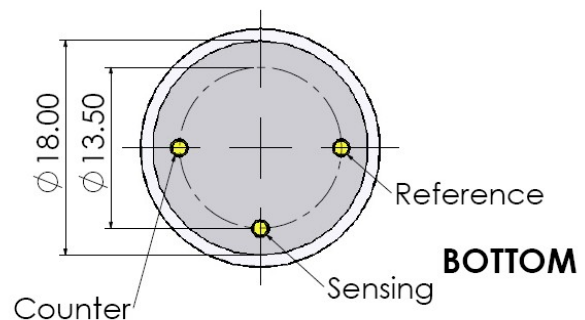
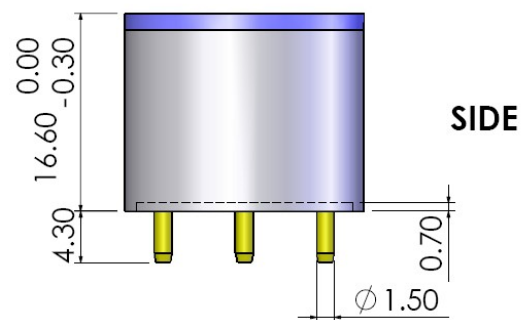
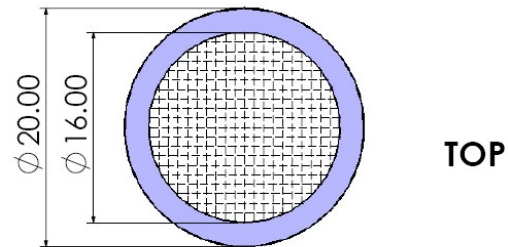
**Important Note**

Do not solder to the connector pins as this may damage the sensor and thereby invalidate the warranty.

Details on recommended connector pins can be found in the Frequently Asked Questions within the Gas Sensor section of the SGX website.

**EC4-1000-H2S  
 Hydrogen Sulfide Electrochemical Sensor**

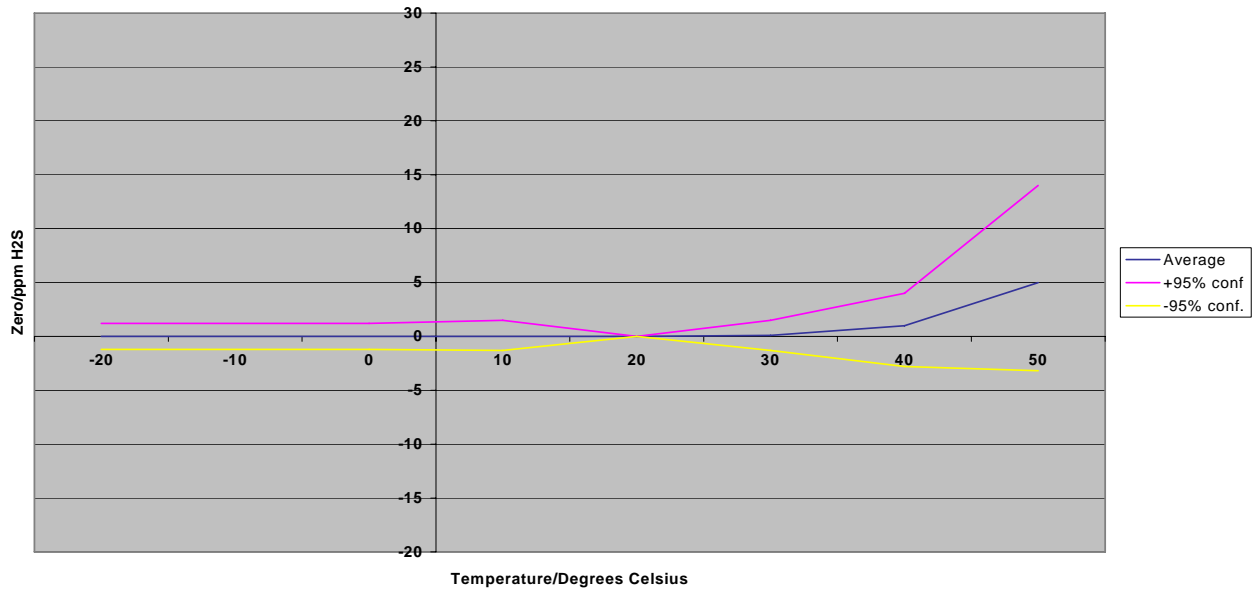
**OUTLINE**



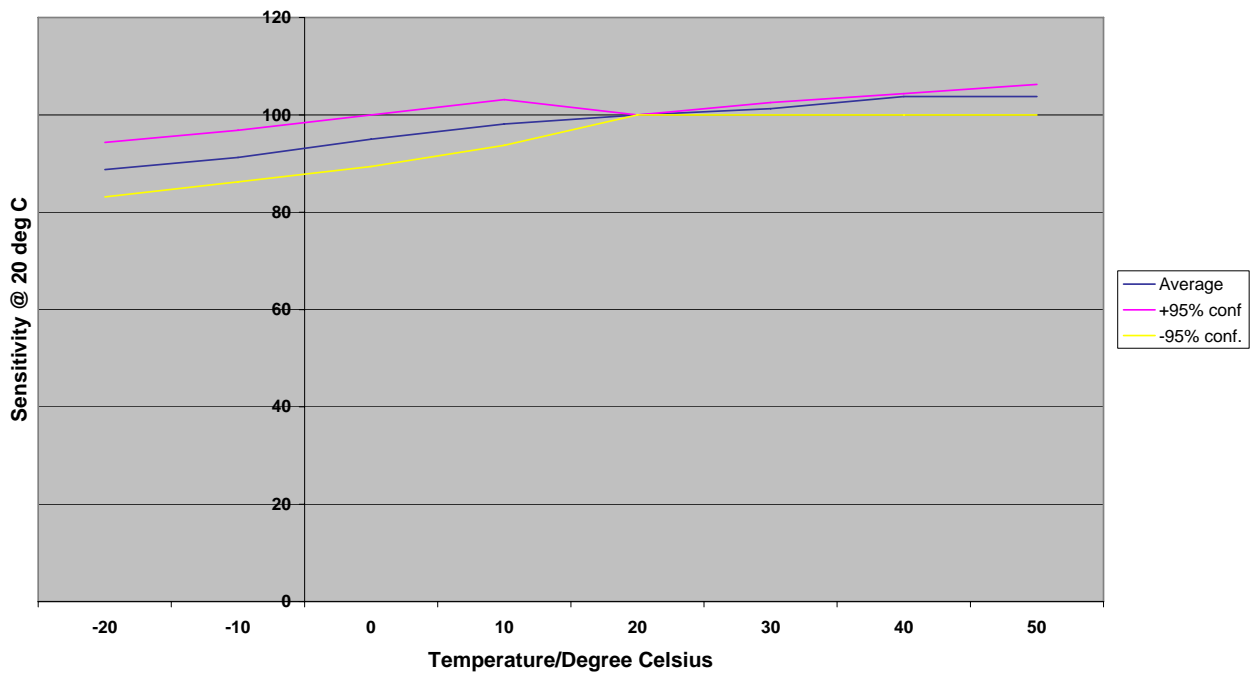
All dimensions in mm.  
 All tolerances  $\pm 0.15$ mm unless otherwise stated.

### TEMPERATURE DEPENDENCE

EC4-1000-H2S Graph of Zero vs Temperature



EC4-1000-H2S Graph of Net Sensitivity vs Temperature



A1A-764712 Version 3, October 2009

Headquarter Switzerland:  
Angst+Pfister Sensors and Power AG

Thurgauerstrasse 66  
CH-8050 Zurich  
Phone +41 44 877 35 00  
sensorsandpower@angst-pfister.com

Office Germany:  
Angst+Pfister Sensors and Power  
Deutschland GmbH  
Edisonstraße 16  
D-85716 Unterschleißheim  
Phone +49 89 374 288 87 0  
sensorsandpower.de@angst-pfister.com



## We are here for you. Addresses and Contacts.

### Sales Germany & Austria

Geometrical sensors  
Other products

Kurt Stritzelberger  
Phone +49 89 374 288 87 22  
kurt.stritzelberger@angst-pfister.com

Pressure sensors  
Other products

Gerhard Vetter  
Phone +49 89 374 288 87 26  
gerhard.vetter@angst-pfister.com

Gas sensors and modules

Peter Felder  
Phone +41 44 877 35 05  
peter.felder@angst-pfister.com

### Sales Switzerland & Liechtenstein

Postcode 3000 – 9999

Basil Frei  
Phone +41 44 877 35 18  
basil.frei@angst-pfister.com

Postcode 1000 – 2999

Christian Mohrenstecher  
Phone +41 76 444 57 93  
christian.mohrenstecher@angst-pfister.com

### Sales International Key Accounts

Peter Felder  
Phone +41 44 877 35 05  
peter.felder@angst-pfister.com

### Sales Other Countries / Product Management

Pressure Sensors  
Load Cells

Philipp Kistler  
Phone +41 44 877 35 03  
philipp.kistler@angst-pfister.com

Gas sensors  
Gas sensor modules

Dr. Thomas Clausen  
Phone +49 89 374 288 87 24  
thomas.clausen@angst-pfister.com

Flow / Level / Medical products

Dr. Adriano Pittarelli  
Phone +49 89 374 288 87 67  
adriano.pittarelli@angst-pfister.com

Power supplies

Sebastiano Leggio  
Phone +41 44 877 35 06  
sebastiano.leggio@angst-pfister.com

Linear position sensors  
Angle sensors

Eric Letsch  
Phone +41 44 877 35 14  
eric.letsch@angst-pfister.com

Accelerometers  
Sensor elements

Christoph Kleye  
Phone +49 89 374 288 87 61  
christoph.kleye@angst-pfister.com

Drive technology  
CH Postcode 5000 – 9999 / DE

Roman Homa  
Phone +41 76 444 00 86  
roman.homa@angst-pfister.com

Drive technology  
CH Postcode 1000 – 4999 / AT / IT / FR

Christian Mohrenstecher  
Phone +41 76 444 57 93  
christian.mohrenstecher@angst-pfister.com

Harald Thomas  
Phone +49 89 374 288 87 23  
harald.thomas@angst-pfister.com