

Characteristics

Test Conditions: Ta = 25°C, 30~60%RH

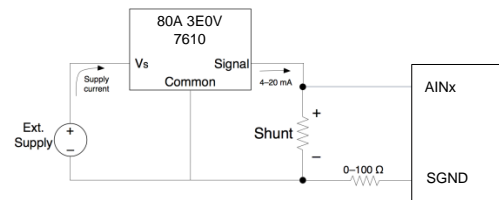
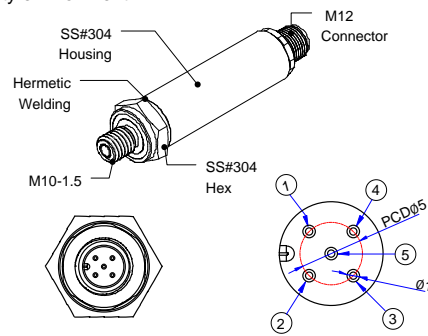
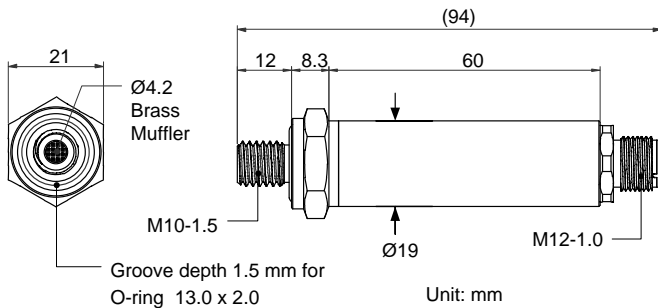
Preliminary

Parameters	Min	Typ	Max	Unit	Conditions
Measurement Range	25		15000	mTorr	
Measurement Accuracy		±5%+10		mTorr	25 ~ 1000 mTorr
		±10%+50		mTorr	1001 ~ 5000 mTorr
		±25%+100		mTorr	5001 ~ 15000 mTorr
Supply Voltage	12		26.4	V	
Supply Current			45	mA	
Analog Output	4		20	mA	
Analog Impedance		100		Ω	
Temp - Compensated	5		40	°C	
Temp - Operating	0		60	°C	
Sensor Bakeout Temp			130	°C	
Mounting Electronics	M12, male				
Threading Size	M10-1.5				

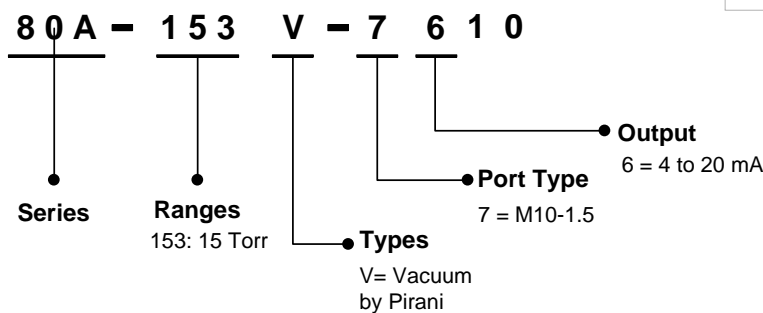
Notes:

1. Zero offset can impact measurement accuracy and consequently zero adjustment may be required in some applications for repeatable measurement.
2. Humidity sensitive device, compensation is required for application in high humidity environment
3. Wetted material: SS#304, Gold, Viton, silicon, glass, Pt & epoxy

Dimension



Ordering Information



Pin #	Description
1	Supply
2	Signal
3	N.C.
4	Common
5	N.C.

NOTE:
1. N.C. pins must be left floating

Headquarter Switzerland:
Angst+Pfister Sensors and Power AG

Thurgauerstrasse 66
CH-8050 Zurich
Phone +41 44 877 35 00
sensorsandpower@angst-pfister.com

Office Germany:
Angst+Pfister Sensors and Power
Deutschland GmbH
Edisonstraße 16
D-85716 Unterschleißheim
Phone +49 89 374 288 87 0
sensorsandpower.de@angst-pfister.com



We are here for you. Addresses and Contacts.

Sales Germany & Austria

Geometrical sensors
Other products

Kurt Stritzelberger
Phone +49 89 374 288 87 22
kurt.stritzelberger@angst-pfister.com

Pressure sensors
Other products

Gerhard Vetter
Phone +49 89 374 288 87 26
gerhard.vetter@angst-pfister.com

Gas sensors and modules

Peter Felder
Phone +41 44 877 35 05
peter.felder@angst-pfister.com

Sales Switzerland & Liechtenstein

Postcode 3000 – 9999

Basil Frei
Phone +41 44 877 35 18
basil.frei@angst-pfister.com

Postcode 1000 – 2999

Christian Mohrenstecher
Phone +41 76 444 57 93
christian.mohrenstecher@angst-pfister.com

Sales International Key Accounts

Peter Felder
Phone +41 44 877 35 05
peter.felder@angst-pfister.com

Sales Other Countries / Product Management

Pressure Sensors
Load Cells

Philipp Kistler
Phone +41 44 877 35 03
philipp.kistler@angst-pfister.com

Gas sensors
Gas sensor modules

Dr. Thomas Clausen
Phone +49 89 374 288 87 24
thomas.clausen@angst-pfister.com

Flow / Level / Medical products

Dr. Adriano Pittarelli
Phone +49 89 374 288 87 67
adriano.pittarelli@angst-pfister.com

Power supplies

Sebastiano Leggio
Phone +41 44 877 35 06
sebastiano.leggio@angst-pfister.com

Linear position sensors
Angle sensors

Eric Letsch
Phone +41 44 877 35 14
eric.letsch@angst-pfister.com

Accelerometers
Sensor elements

Christoph Kleye
Phone +49 89 374 288 87 61
christoph.kleye@angst-pfister.com

Drive technology
CH Postcode 5000 – 9999 / DE

Roman Homa
Phone +41 76 444 00 86
roman.homa@angst-pfister.com

Drive technology
CH Postcode 1000 – 4999 / AT / IT / FR

Christian Mohrenstecher
Phone +41 76 444 57 93
christian.mohrenstecher@angst-pfister.com

Harald Thomas
Phone +49 89 374 288 87 23
harald.thomas@angst-pfister.com