

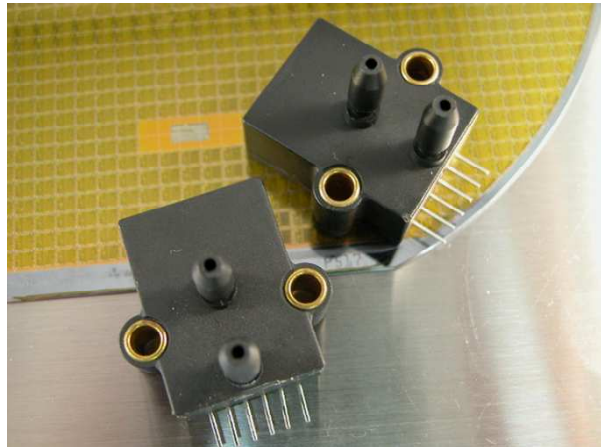
Solid State Pressure Sensor

ANALOG
OUTPUT

STX Series – Model 13A Low Pressure

FEATURES

- Dual-in-line Package
- Calibrated Span and Offset
- Rigid Nylon Package
- 0.15 PSI to 3.0 PSI
- Flow meters, breathing equipment



DESCRIPTION

The STX 13A Series is a smart pressure sensor with a calibrated and amplified analog output. Compensation of sensor offset, sensitivity, temperature drift and nonlinearity is accomplished in the factory via the latest ASIC technology with calibration coefficients stored in an on-chip EEPROM.

A variety of output configurations, including response time and voltage levels are available to provide a simple and ready-to-use solution for a wide range of applications. The low voltage version operates from 2.7 to 3.3V while the regular version operates from 4.5 to 5.5V.

The STX 13A Series, are specifically intended for **low to very low pressures**. The lowest pressure ranges available are **0.5 inH₂O** and **1 mbar**. Custom ranges and calibrations are available. Please contact the factory for details.

Characteristics

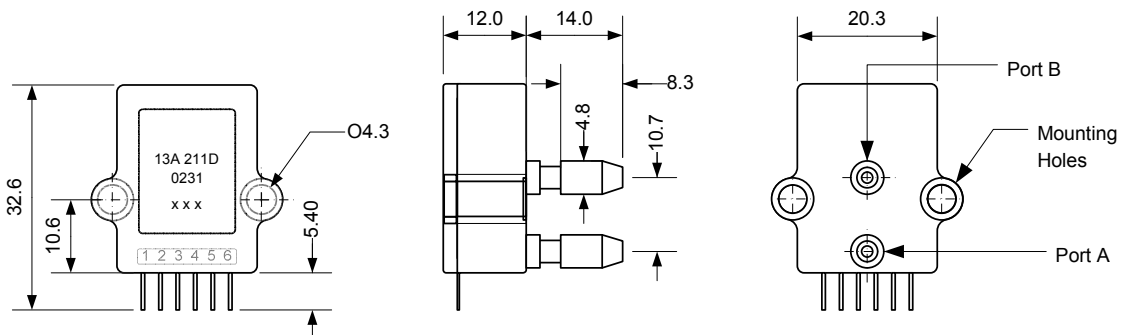
Unless otherwise specified, all parameters are measured at 25 °C, 60% RH and 5Vdc excitation

Parameters	Min	Typ	Max	Unit
Supply Voltage ^{Note 1}	2.7 to 3.3		4.5 to 5.5	V
Supply Current			2.5	mA
Zero Output	0.412	0.500	0.588	V
Span Output		4.00		V
Linearity		±0.5		% FS
Accuracy ^{Note 2,6}			2.2	% FS
Response Time		1	2	ms
Thermal Hysteresis		±0.2		% FS
Over Pressure ^{Note 5}			3X or 2.5 psi	Rated Pressure
Temp - Compensated	0		+50	°C
Temp - Operating	-20		+85	°C
Temp - Storage	-40		+125	°C

Notes:

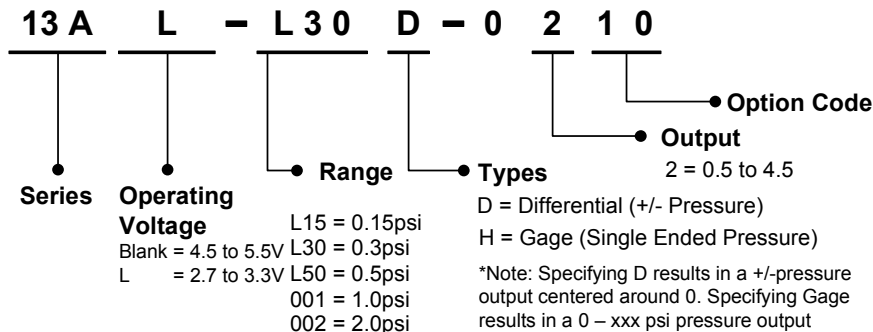
1. Specify desired operating voltage range when ordering. Output is ratiometric to supply voltage
2. Accuracy includes non-linearity, hysteresis, TCS and TCO inside the compensated temperature range, best fit straight line definition
3. Wetted material Port A: Ceramic, Au, glass, silicon, RTV, Nickel and Epoxy
4. Wetted material Port B: Ceramic, silicon, glass and RTV
5. Whichever is higher
6. Accuracy for 0.15 psi range is 2.7%FS

Dimensions



Notes:
Solder reflow max.: 250 °C 5s
All dimensions in mm
Port B is used for positive gage and differential

Ordering Information



Pin #	Description
1	SUP
2	N.C.
3	N.C.
4	N.C.
5	GND
6	OUT

NOTE: A 0.1uF capacitor must be connected between SUP and GND
N.C. pins must be left floating

Headquarter Switzerland:
Angst+Pfister Sensors and Power AG

Thurgauerstrasse 66
CH-8050 Zurich
Phone +41 44 877 35 00
sensorsandpower@angst-pfister.com

Office Germany:
Angst+Pfister Sensors and Power
Deutschland GmbH
Edisonstraße 16
D-85716 Unterschleißheim
Phone +49 89 374 288 87 0
sensorsandpower.de@angst-pfister.com



We are here for you. Addresses and Contacts.

Sales Germany & Austria

Geometrical sensors
Other products

Kurt Stritzelberger
Phone +49 89 374 288 87 22
kurt.stritzelberger@angst-pfister.com

Pressure sensors
Other products

Gerhard Vetter
Phone +49 89 374 288 87 26
gerhard.vetter@angst-pfister.com

Gas sensors and modules

Peter Felder
Phone +41 44 877 35 05
peter.felder@angst-pfister.com

Sales Switzerland & Liechtenstein

Postcode 3000 – 9999

Basil Frei
Phone +41 44 877 35 18
basil.frei@angst-pfister.com

Postcode 1000 – 2999

Christian Mohrenstecher
Phone +41 76 444 57 93
christian.mohrenstecher@angst-pfister.com

Sales International Key Accounts

Peter Felder
Phone +41 44 877 35 05
peter.felder@angst-pfister.com

Sales Other Countries / Product Management

Pressure Sensors
Load Cells

Philipp Kistler
Phone +41 44 877 35 03
philipp.kistler@angst-pfister.com

Gas sensors
Gas sensor modules

Dr. Thomas Clausen
Phone +49 89 374 288 87 24
thomas.clausen@angst-pfister.com

Flow / Level / Medical products

Dr. Adriano Pittarelli
Phone +49 89 374 288 87 67
adriano.pittarelli@angst-pfister.com

Power supplies

Sebastiano Leggio
Phone +41 44 877 35 06
sebastiano.leggio@angst-pfister.com

Linear position sensors
Angle sensors

Eric Letsch
Phone +41 44 877 35 14
eric.letsch@angst-pfister.com

Accelerometers
Sensor elements

Christoph Kleye
Phone +49 89 374 288 87 61
christoph.kleye@angst-pfister.com

Drive technology
CH Postcode 5000 – 9999 / DE

Roman Homa
Phone +41 76 444 00 86
roman.homa@angst-pfister.com

Drive technology
CH Postcode 1000 – 4999 / AT / IT / FR

Christian Mohrenstecher
Phone +41 76 444 57 93
christian.mohrenstecher@angst-pfister.com

Harald Thomas
Phone +49 89 374 288 87 23
harald.thomas@angst-pfister.com