

DATASHEET

SPD200AATO05 Pressure Sensor

last update
October 5, 2016

reference
SPD200AATO05

page
1/1

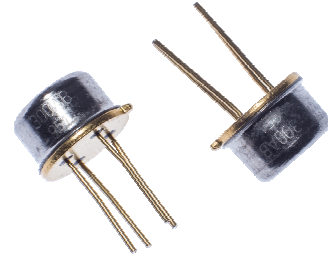
A 13 BAR ABSOLUTE PRESSURE SENSOR

This 13 bar absolute pressure sensor is specially designed for measuring the pressure of liquefied gasses (like l.g.p.). Using an Absolute type pressure sensor has a distinct safety advantage over a Gauge type pressure sensor for this type of applications.

In case of a malfunction of the membrane of a Gauge type pressure sensor a gas leak could occur. Using an Absolute type pressure sensor completely circumvents this safety issue.

The trade-off is that the connecting wires carrying the electrical signals have to be run inside the pressurized container.

The TO5 metal can encapsulation is especially suited for mounting in a ruggedized brass fitting.

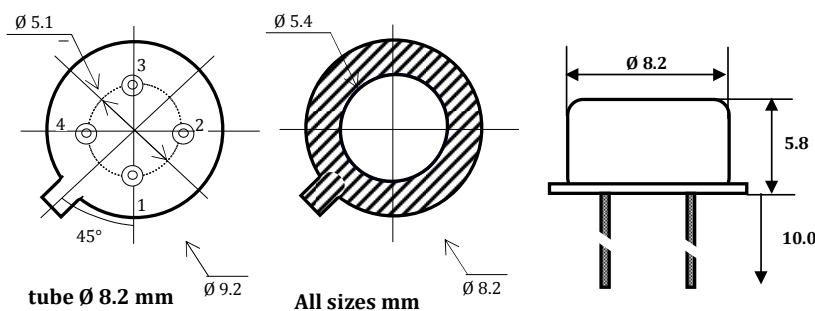


Electrical Characteristics

Characteristic @ Vcc = 5V and 25 °C

Parameter	Min	Typ	Max	Units
Excitation Voltage	4,75	5.00	5.25	V
Excitation Current	-	2.5		mA
Pressure range 200 psi	10		200	psi
Zero output	0.428	0.500	0.572	V
Span output		4.0		V
Accuracy			1.8	%FS
Linearity	-0,5		0,5	%FS
Thermal hysteresis	-0,15		0,15	%FS
response time		1	2	ms
Over pressure			3X	Rated FS
temp compensating	15		70	°C
Operating Temp	-20		100	°C
Storage temp.	-40		125	°C

- Wetted materials are: nickel, silicon, RTV, gold and glass
- Other pressure ranges on request
- Output is ratiometric to the Vcc supply voltage.



Pin	Description
1	Vcc
2	Gnd
3	Gnd
4	Out

- Header must be left floating
- A 0.1 µf capacitor must be connected between Vcc and Gnd



We are here for you. Addresses and Contacts.

Headquarter Switzerland:

Angst+Pfister Sensors and Power AG
Thurgauerstrasse 66
CH-8050 Zurich
Phone +41 44 877 35 00
sensorsandpower@angst-pfister.com

Office Germany:

Angst+Pfister Sensors and Power Deutschland GmbH
Edisonstraße 16
D-85716 Unterschleißheim
Phone +49 89 374 288 87 00
sensorsandpower.de@angst-pfister.com

Scan here and get an overview of personal contacts!



sensorsandpower.angst-pfister.com
