

DATASHEET

SPD015AATO05 Pressure Sensor

last update
oktober 4, 2016

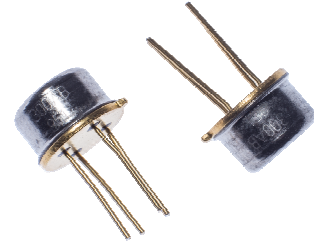
reference
spd015aato05 n

page
1/1

A 15 PSI ABSOLUTE PRESSURE SENSOR FOR ATMOSPHERIC PRESSURE MEASUREMENT

This 1 bar absolute pressure sensor is specially designed for measuring the pressure of the atmosphere. By means of an analogue output connection to other systems is very easy.

The TO5 metal can encapsulation is especially suited for mounting in a ruggedized brass fitting.

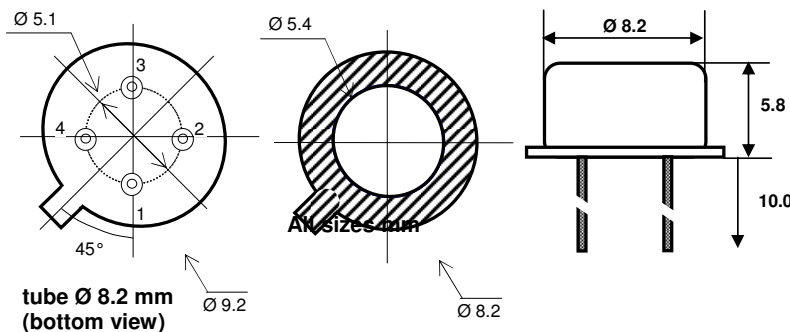


Electrical Characteristics

Characteristic @ Vcc = 5V and 25 °C

Parameter	Min	Typ	Max	Units.
Excitation Voltage	4,75	5.00	5.25	V
Excitation Current	-	2.5		mA
Pressure range	15		102	kPa
Zero output (15 kPa)	0.428	0.5	0.572	V
Span output (102 kPa)		4.0		V
Accuracy			1.8	%FS
Linearity	-0,5		0,5	%FS
Thermal hysteresis	-0,15		0,15	%FS
response time		1	2	ms
Over pressure			3X	Rated FS
temp compensating	15		70	°C
Operating Temp	-20		100	°C
Storage temp.	-40		125	°C

- Wetted materials are: nickel, silicon, RTV, gold and glass
- Other pressure ranges on request
- Output is ratiometric to the Vcc supply voltage



Pin	Description
1	Vcc
2	Gnd
3	Gnd
4	Out

- Header must be left floating
- A 0.1 µf capacitor must be connected between Vcc and Gnd

smartec
www.smartec-sensors.com

We are here for you. Addresses and Contacts.

Headquarter Switzerland:

Angst+Pfister Sensors and Power AG
Thurgauerstrasse 66
CH-8050 Zurich
Phone +41 44 877 35 00
sensorsandpower@angst-pfister.com

Office Germany:

Angst+Pfister Sensors and Power Deutschland GmbH
Edisonstraße 16
D-85716 Unterschleißheim
Phone +49 89 374 288 87 00
sensorsandpower.de@angst-pfister.com

Scan here and get an overview of personal contacts!



sensorsandpower.angst-pfister.com
