

# DATASHEET

## SPD005DIHyb Pressure Sensor

last update  
July 5, 2017

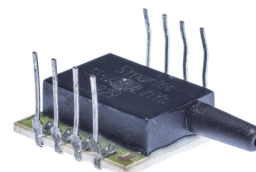
reference  
spd005dihyb n.docx

page  
1/2

### LIMITED PRESSURE RANGE DIFFERENTIAL SENSOR WITH I<sup>2</sup>C OUTPUT (300 mBar, 5 PSI)

This Smartec differential pressure sensor has an I<sup>2</sup>C output. The sensor is compensated for offset, sensitivity, temperature drift and nonlinearity.

The sensor has a range of 5 PSI FS. Other pressure ranges can be delivered on request ( 0.15 – 150 PSI).



### Electrical Characteristics

Performance Characteristic at Vcc =5V excitation @ 25 °C

Parameter	Min	Typ	Max	Units
Supply Voltage	2.7	5.00	5.5	V
Supply Current		3		mA
Pressure range (fs)	-5		5	PSI
Resolution		12		Bits
Accuracy 1)		1.8		%FS, 1 LSB
Zero output		2000		Hex
Span output (-5, +5 PSI)	666		3999	Hex
<b>I<sup>2</sup>C output:</b>				
SClock	100		400	KHz
Update rate		0.5		ms
Address (slave)		0x28		Hex
<b>Pressure overload</b>				
			3x	rating
Temp compensation	0		50	°C
Operating Temp range	-20		85	°C
Storage temperature	-40		125	°C

- 1) combined accuracy over 0-50 °C with auto zero
- It is advised to place a 100nF capacitor between Vcc and Gnd
- Wetted materials are: PA46, RTV, Pyrex glass, Silicon, Ceramic



## SPD005DIhyb Pressure Sensor

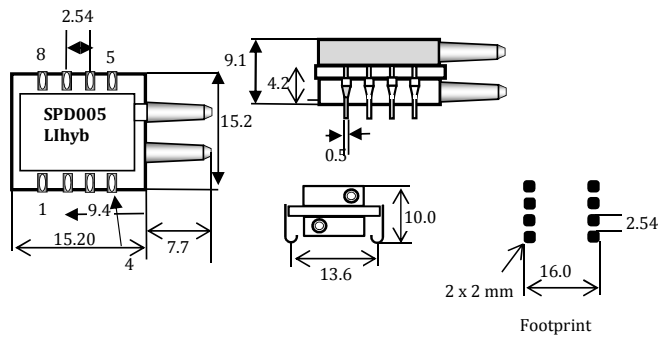
last update  
July 5, 2017

reference  
spd005dihyb n.docx

page  
2/2

### Dimensions

(all sizes in mm)



Pin	Description
1	NC
2	Vcc
3	INT
4	SDA
5	SCL
6	NC
7	NC
8	GND

Use of NC pins will cause malfunction  
Connect between Vcc and Gnd a capacitor of 100 nF.

### Ordering Code:

**SPD005DIhyb**      5 psi differential pressure sensor with I<sup>2</sup>C output

[sales@smartec-sensors.com](mailto:sales@smartec-sensors.com)

for more info:  
[sales@smartec-sensors.com](mailto:sales@smartec-sensors.com)



## We are here for you. Addresses and Contacts.

---

### Headquarter Switzerland:

Angst+Pfister Sensors and Power AG  
Thurgauerstrasse 66  
CH-8050 Zurich  
Phone +41 44 877 35 00  
[sensorsandpower@angst-pfister.com](mailto:sensorsandpower@angst-pfister.com)

### Office Germany:

Angst+Pfister Sensors and Power Deutschland GmbH  
Edisonstraße 16  
D-85716 Unterschleißheim  
Phone +49 89 374 288 87 00  
[sensorsandpower.de@angst-pfister.com](mailto:sensorsandpower.de@angst-pfister.com)

---

Scan here and get an overview of personal contacts!



[sensorsandpower.angst-pfister.com](https://sensorsandpower.angst-pfister.com)

---