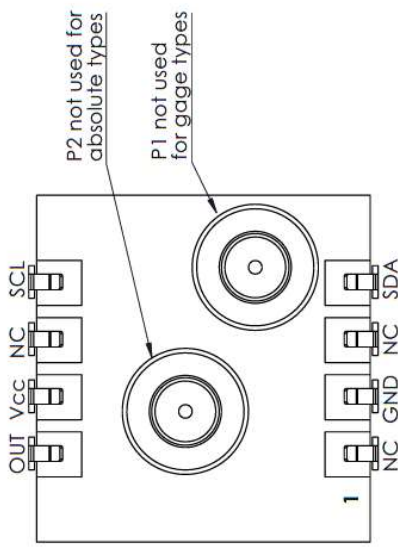
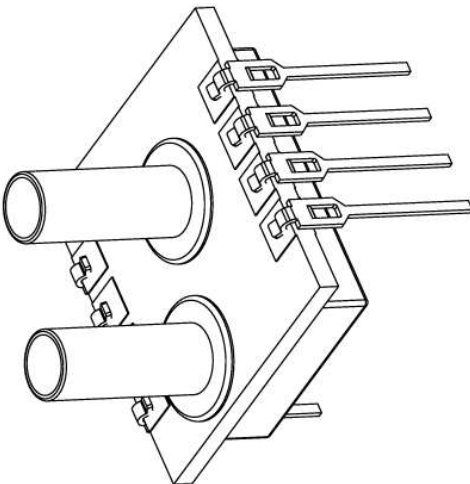


**REMARKS / OPOMBE**  
 Inspection dimension / Kontrolna mera  
 Modification index / Številka spremembe 6x  
 3D model



2.	Dim. tol update	11.08.2021	S. Radkovic
1.	Initial release / Zacetna izdaja	02.10.2020	S. Radkovic
Mod No. / S. Spr	Modification Description / Opis Spremembe	Date / Datum	Draw / Risal
Projection / Projektija	Edges / Štarije robov	Part No. / Ident. št.	Sign / Projes
ISO 128	ISO 13715	Material	Mass / masa [g]
General tolerances / Tolerance outfit mter	ISO 2768 -c	Date / Datum	Name / Ime
ISO 1302	Not dimensioned elements extract from 3D model / Elementi nimenjane prikladiz iz 3D modela.	Draw / Risal	Sign / Projes
Surface / Povrsine	RELEASED / IZDANO	Check / Prejeto	J. Gajnc
	FOR PRODUCTION	Approved / Odbreno	S. Kojnc
		Item / Naziv:	PHPS-3500
		Drawing No. / St. nabe	2
		Formal	A.3
		Scale / Merilo	5:1
		Position / Pozicija	
		Project / Projekt	
		Page / Stran	1 / 1

Izjava: 8/2020

Temelna naba - A3

OBR 7.3-0234

## We are here for you. Addresses and Contacts.

---

### Headquarter Switzerland:

Angst+Pfister Sensors and Power AG  
Thurgauerstrasse 66  
CH-8050 Zurich  
Phone +41 44 877 35 00  
[sensorsandpower@angst-pfister.com](mailto:sensorsandpower@angst-pfister.com)

### Office Germany:

Angst+Pfister Sensors and Power Deutschland GmbH  
Edisonstraße 16  
D-85716 Unterschleißheim  
Phone +49 89 374 288 87 00  
[sensorsandpower.de@angst-pfister.com](mailto:sensorsandpower.de@angst-pfister.com)

---

Scan here and get an overview of personal contacts!



[sensorsandpower.angst-pfister.com](https://sensorsandpower.angst-pfister.com)

---