

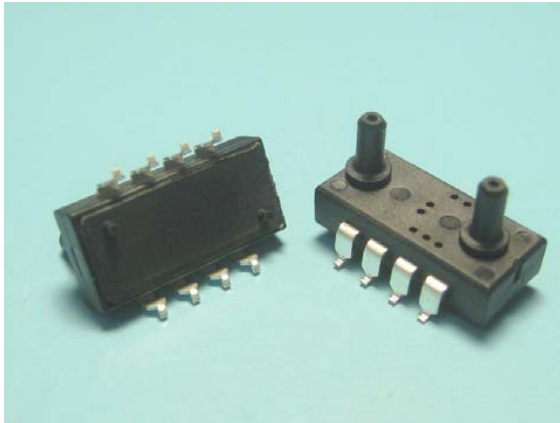
## MIS-3600 series (Preliminary) Intelligent Pressure Sensor

### ■ Features

- Supply Voltage 2.0 to 3.6V
- 0.5, 1, 5.8, 15, 30 psi differential pressure range
- Low standby current: <math><0.1\mu\text{A}</math>
- Factory calibrated and temperature compensated
- SPI and I2C digital signal output

### ■ Applications

- Airflow meter
- Ventilation and air flow monitors
- Sleep apnea monitoring and therapy equipment
- Pneumatic controls
- HVAC



The MIS-3600 is an intelligent pressure sensor which consist of a MEMS piezoresistive pressure sensor and a signal conditioning ASIC. The signal conditioning ASIC is a 16-bits AD convertor with embedded 512 bits

OTP memory. The sensor was calibrated and temperature compensated in factory. The factors for temperature compensation were stored in OTP memory. Users can implement temperature compensation via an external micro processor. The external microprocessor read the raw output data from MIS-3600 and do simple calculation according to the factors stored in OTP memory. Therefore using MIS-3600 series is easy to get rid of bothersome calibrations and temperature compensations. MIS-3600 provide SPI or I2C digital serial output interface to communicate with microprocessors. MIS-3600 series is specially designed for low voltage and low power consumption concerned applications.

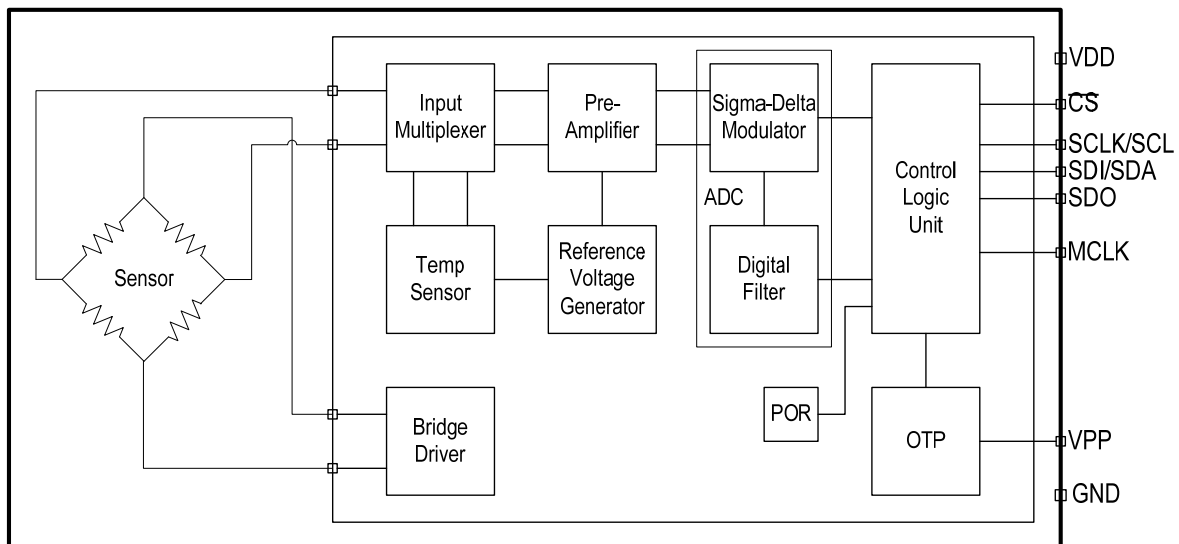


Fig. 1 Functional Block Diagram of MIS-3600

## ■ Specifications

Parameter	Symbol	Conditions	Min	Typ	Max	Units	Notes
<b>1. Absolute Maximum Ratings</b>							
Supply Voltage	VDD		-0.3		4	V	
Inputs voltage to VSS			-0.3		VDD+0.3	V	
Storage Temperature Range			-40		125	°C	
Maximum Overpressure					2X	Rated pressure	
ESD Rating							
HBM			4000			V	
MM			400				
<b>2. Recommended Operating Conditions</b>							
Pressure Range				0.5, 1, 5.8, 15, 30		psi	3
Operating Temperature Range			-40		85	°C	
Humidity			0		95	%RH	
Supply Voltage	VDD		2.0	3	3.6	V	
Supply Current		VDD=3V					
Peak Current During Conversion	I <sub>sc</sub>			600		μA	
Standby	I <sub>ss</sub>			0.1	0.5	μA	
Average	I <sub>avg</sub>	1 conversion/s		21.6	30.5	μA	
Conversion Time	t <sub>conv</sub>	MCLK=32.768kHz		34.5		ms	
External clock signal	MCLK		30000	32768	35000	Hz	
Duty cycle of MCLK			40	50	60	%	
Serial data clock	SCLK				500	kHz	
<b>3. Electrical Parameters</b>							
<b>Analog to Digital Converter</b>							
Resolution				16		Bits	
Output Code Range			2048		63487		
Conversion Time	t <sub>conv</sub>	MCLK=32.768kHz		34.5		ms	
Output update rate					25	Hz	
Integral Nonlinearity			-4		+4	LSB	TBD
Differential Nonlinearity			-1		+1	LSB	TBD
<b>SPI Interface</b>							
<b>Digital Inputs</b>							
Serial data clock					500	kHz	
Input High Voltage	V <sub>IH</sub>	I <sub>IH</sub> < 5μA	80%VDD		VDD		
Input low Voltage	V <sub>IL</sub>	I <sub>IL</sub> < 5μA	0		20%VDD		
Input leakage current					0.1	μA	
Rise time	t <sub>r</sub>				200	nS	
Fall time	t <sub>f</sub>				200	nS	
<b>Digital Outputs</b>							
Output High Voltage	V <sub>OH</sub>	SDO, I <sub>source</sub> =0.6mA	80%VDD				
Output low Voltage	V <sub>OL</sub>	SDO, I <sub>sink</sub> =0.6mA			20%VDD		
Output low Voltage	V <sub>OL</sub>	SDI, I <sub>sink</sub> =1.0mA			20%VDD		
Rise time	t <sub>r</sub>	C <sub>load</sub> = 50pf			200	nS	
Fall time	t <sub>f</sub>	C <sub>load</sub> = 50pf			200	nS	
<b>Pressure Output Characteristics</b>							
Full scale range							
0.5, 1psi			11	11.6	12		
5.8psi			12.4	12.9	13.4	bits	
15psi			12.8	13.4	13.7		
30psi			13	13.5	13.8		
Pressure Accuracy		T=-40~-20°C		±2		%FS	2
0.5psi, 1psi		T=-20~70°C		±1			
		T=70~85°C		±2			

Rev. 1.2 2012/3/28

2

Pressure Accuracy 5.8psi · 15psi · 30psi		T= -30~85℃ T= -40~-30℃		±1 ±2		%FS	2
<b>Temperature Output Characteristics</b>							
Resolution				0.1		℃	
Accuracy		-40 to 85℃	-2		2	℃	
Notes :							
1. Unless otherwise specified, measurements were taken with a supply voltage of 3 Vdc at a temperature of 25±3℃ and humidity ranging from 0~95% RH.							
2. Maximum error of pressure reading over compensated temperature range and pressure range. That include all errors resulted from offset, span, linearity, temp. drift of offset and temp. drift of span.							
3. Pressure range was defined as pressure of port A subtract pressure of port B. ( Please refer to the drawing on page 12 )							

## ■ Pin Configuration and Function Descriptions

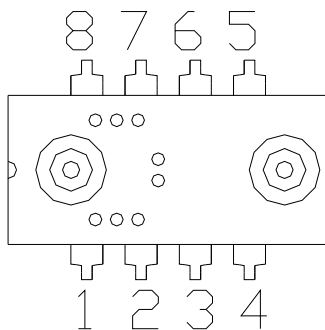


Fig. 2 Pin configuration of MIS-3600

Pin No.	Pin Name	Description
1	VPP	OTP Programming Voltage.
2	CS	Chip Select Input. Control data conversion timing and enables the serial input/output register.
3	GND	Ground.
4	SCLK/SCL	External Clock Input. This clock synchronizes serial data I/O.
5	SDO	Serial Data Output. Data is shifted on the RISING edge of DCLK. This output is high impedance when CS_ is HIGH.
6	SDI/SDA	SPI Serial Data Input I2C data I/O
7	MCLK	External Clock Input. This clock runs the A/D conversion process.
8	VDD	Power Supply.
Note! Pin1 was used only for calibration by the manufacturer and should not be connected.		

### ■ Ordering information

MIS-3 6 0 0-001 D I

└── C

└── A

└── B

A	Pressure type	B	Pressure range
D	Differential bipolar	C50	0.5 PSI
S	Differential unipolar	001	1 PSI
		006	5.8 PSI
		015	15 PSI
		030	30 PSI
C	Interface		
I	I2C		
S	SPI		

Part No.	Pressure type	Pressure range	Digital interface	Note
MIS-3600-C50DI	Differential bipolar	-0.5~0.5 PSI	I2C	
MIS-3600-C50SI	Differential unipolar	0~0.5 PSI	I2C	
MIS-3600-C50DS	Differential bipolar	-0.5~0.5 PSI	SPI	
MIS-3600-C50SS	Differential unipolar	0~0.5 PSI	SPI	
MIS-3600-001DI	Differential bipolar	-1~1 PSI	I2C	
MIS-3600-001SI	Differential unipolar	0~1 PSI	I2C	
MIS-3600-001DS	Differential bipolar	-1~1 PSI	SPI	
MIS-3600-001SS	Differential unipolar	0~1 PSI	SPI	
MIS-3600-006DI	Differential bipolar	-5.8~5.8 PSI	I2C	
MIS-3600-006SI	Differential unipolar	0~5.8 PSI	I2C	
MIS-3600-006DS	Differential bipolar	-5.8~5.8 PSI	SPI	
MIS-3600-006SS	Differential unipolar	0~5.8 PSI	SPI	
MIS-3600-015DI	Differential bipolar	-15~15 PSI	I2C	
MIS-3600-015SI	Differential unipolar	0~15 PSI	I2C	
MIS-3600-015DS	Differential bipolar	-15~15 PSI	SPI	
MIS-3600-015SS	Differential unipolar	0~15 PSI	SPI	
MIS-3600-030DI	Differential bipolar	-30~30 PSI	I2C	
MIS-3600-030SI	Differential unipolar	0~30 PSI	I2C	
MIS-3600-030DS	Differential bipolar	-30~30 PSI	SPI	
MIS-3600-030SS	Differential unipolar	0~30 PSI	SPI	

■ Package Outlines

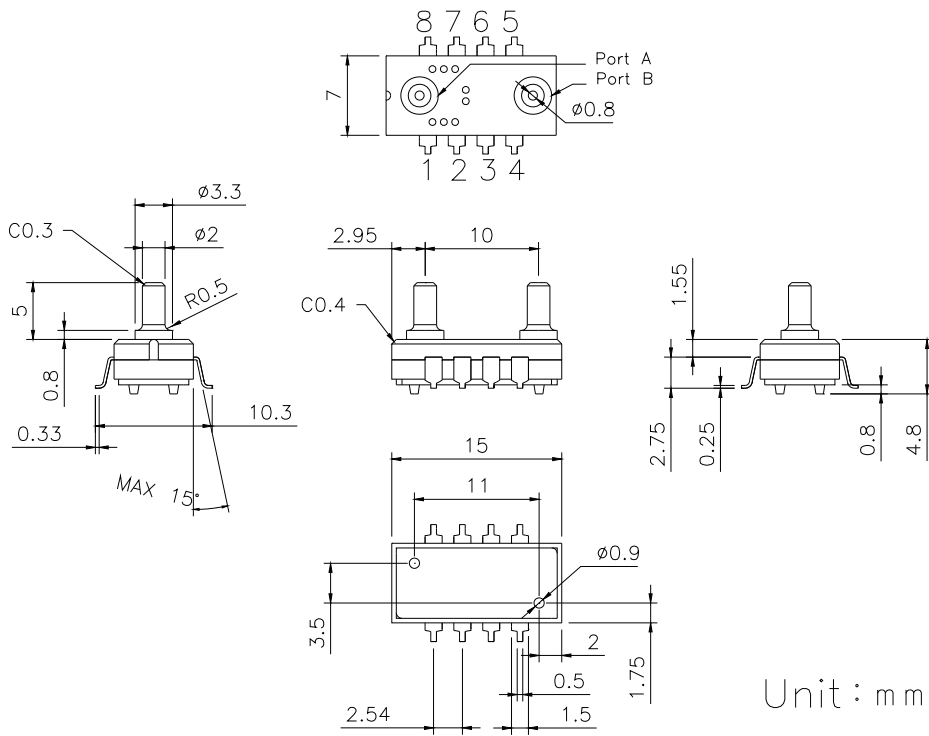


Fig. 3

■ Recommended footprint

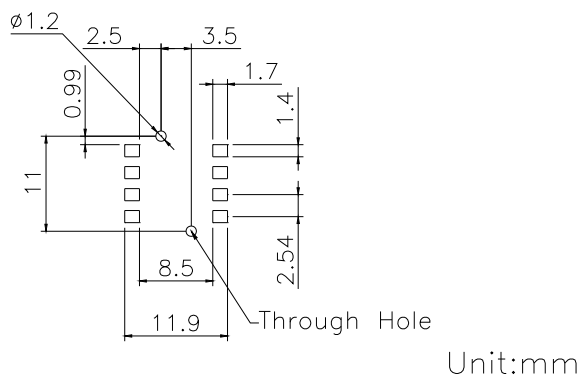


Fig. 4

Headquarter Switzerland:  
Angst+Pfister Sensors and Power AG

Thurgauerstrasse 66  
CH-8050 Zurich  
Phone +41 44 877 35 00  
sensorsandpower@angst-pfister.com

Office Germany:  
Angst+Pfister Sensors and Power  
Deutschland GmbH  
Edisonstraße 16  
D-85716 Unterschleißheim  
Phone +49 89 374 288 87 0  
sensorsandpower.de@angst-pfister.com



## We are here for you. Addresses and Contacts.

### Sales Germany & Austria

Geometrical sensors  
Other products

Kurt Stritzelberger  
Phone +49 89 374 288 87 22  
kurt.stritzelberger@angst-pfister.com

Pressure sensors  
Other products

Gerhard Vetter  
Phone +49 89 374 288 87 26  
gerhard.vetter@angst-pfister.com

Gas sensors and modules

Peter Felder  
Phone +41 44 877 35 05  
peter.felder@angst-pfister.com

### Sales Switzerland & Liechtenstein

Postcode 3000 – 9999

Basil Frei  
Phone +41 44 877 35 18  
basil.frei@angst-pfister.com

Postcode 1000 – 2999

Christian Mohrenstecher  
Phone +41 76 444 57 93  
christian.mohrenstecher@angst-pfister.com

### Sales International Key Accounts

Peter Felder  
Phone +41 44 877 35 05  
peter.felder@angst-pfister.com

### Sales Other Countries / Product Management

Pressure Sensors  
Load Cells

Philipp Kistler  
Phone +41 44 877 35 03  
philipp.kistler@angst-pfister.com

Gas sensors  
Gas sensor modules

Dr. Thomas Clausen  
Phone +49 89 374 288 87 24  
thomas.clausen@angst-pfister.com

Flow / Level / Medical products

Dr. Adriano Pittarelli  
Phone +49 89 374 288 87 67  
adriano.pittarelli@angst-pfister.com

Power supplies

Sebastiano Leggio  
Phone +41 44 877 35 06  
sebastiano.leggio@angst-pfister.com

Linear position sensors  
Angle sensors

Eric Letsch  
Phone +41 44 877 35 14  
eric.letsch@angst-pfister.com

Accelerometers  
Sensor elements

Christoph Kleye  
Phone +49 89 374 288 87 61  
christoph.kleye@angst-pfister.com

Drive technology  
CH Postcode 5000 – 9999 / DE

Roman Homa  
Phone +41 76 444 00 86  
roman.homa@angst-pfister.com

Drive technology  
CH Postcode 1000 – 4999 / AT / IT / FR

Christian Mohrenstecher  
Phone +41 76 444 57 93  
christian.mohrenstecher@angst-pfister.com

Harald Thomas  
Phone +49 89 374 288 87 23  
harald.thomas@angst-pfister.com