



Technical Note

1.Constant Current Source

For Fujikura pressure sensor, a constant current source as shown in Fig. 1 is recommended. A reference voltage (V_{ref}), which is generated by zener diode or voltage reference device, is applied to the non-inverting terminal of the operational amplifier (A1). The inverting terminal voltage of A1 is equal to the V_{ref} , then the constant current(I) is :

$$I = \frac{V_{ref}}{R2} \quad \dots [1]$$

The output voltage of A1(V_{A1}) is :

$$V_{A1} = V_{ref} + I \times Rb = I \times (R2 + Rb) \quad \dots [2]$$

where Rb : Bridge resistance

The supply voltage (V_{cc}) should be sufficiently higher than V_{A1} . In a condition of no pressure (no mechanical stress) to the sensing chip, each output voltage of the bridge terminal($V1$), ($V2$) is calculated by :

$$V1 = V2 = V_{ref} + I \times \frac{Rb}{2} = I \times (R2 + \frac{Rb}{2}) \quad \dots [3]$$

Fig.2 shows a basic circuit for the type FPM. LM385-1.2 is a voltage reference which features 1.235V of V_{ref} , and 150ppm/ $^{\circ}C$ of temperature drift. The voltage across the resistor $R2$ is equal to V_{ref} . (i.e.1.235V) The recommended constant current for the FPM is 1.5mA. Therefore $R2$ is :

$$R2 = \frac{1.235V}{1.5mA} = 820\Omega$$

The specified bridge resistance of the FPM is 4,000-6,000 Ω , thus the maximum output voltage of A1(V_{A1}) is :

$$V_{A1max} = 1.5 \times (820 + 6000) = 10.23$$

In this case, 12V DC is chosen for the supply voltage(V_{cc}), and a 10k Ω resistor is connected between the V_{cc} and the LM385-1.2 for 1mA operation.

$$R1 = \frac{12V - 1.235V}{1mA} = 10k\Omega$$



One part of the bridge connection of the FPM is opened. If offset calibration is required, a zero balance trimmer should be connected like Fig. 2. Or, a closed bridge connection, like Fig. 1, is also available, if zeroing should be done at the back end signal conditioning circuit.

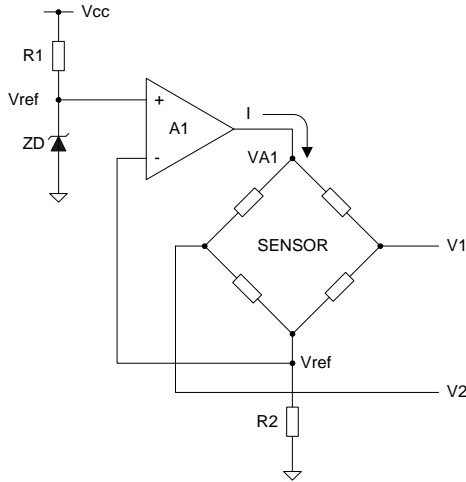


Fig.1 Constant current source

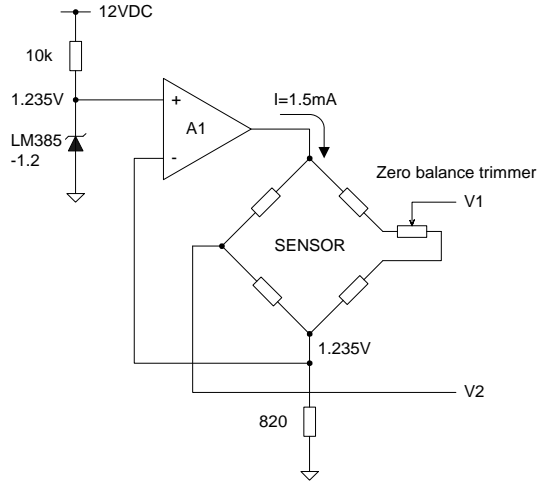
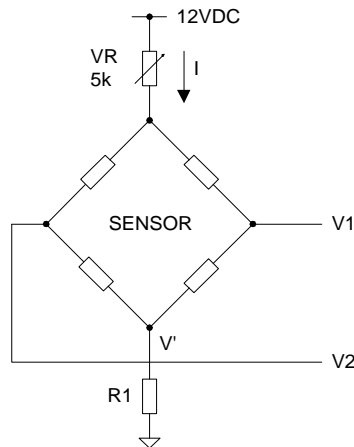


Fig. 2 Basic circuit for type FPM

2.Constant Voltage Source

Fig.3 shows an example of constant voltage source. Please note that temperature characteristic by constant voltage source is much different from the one by constant current source. For further information, please refer to the following 4-2.



*** Example for FPM sensor ***

- Vcc: 12VDC
- Bridge resistance: 4,000 ~ 6,000 ohm
- I: 1.5mA
- R1: 100 ohm
- V': 150mV
- VR: 1,900 ~ 2,500 ohm

or

- Vcc: 7.5VDC
- VR: 0 ohm
- Bridge resistance: 4,000 ~ 6,000 ohm
- R1: 0 ohm
- I: 1.9 ~ 1.3mA

Fig. 3 Basic circuit of constant voltage source



3. Amplifier Circuit

A differential amplifier shown in Fig 4 is provided to treat low-level and differential signal from a sensing element. The output voltage (V_{out}) is calculated by the following formula :

$$V_{out} = \frac{R5}{R3} \times (V1 - V2) \dots [4]$$

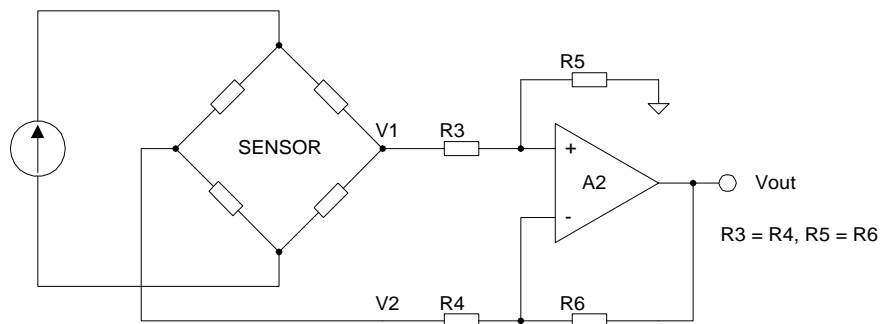


Fig. 4 Simple differential amplifier

Since the input resistance of the amplifier is not very high, an instrumentation amplifier shown in Fig.5 should be used for high precision measurement. Each output voltage of $VA1$, $VA2$, and V_{out} is calculated by :

$$VA2 = V1 + \frac{R5}{VR1} \times (V1 - V2) \dots [5]$$

$$VA3 = V2 - \frac{R5}{VR1} \times (V1 - V2) \dots [6]$$

$$V_{out} = \frac{R7}{R5} \times (VA2 - VA3) = \frac{R7}{R5} \times \left(1 + \frac{2 \times R3}{VR1}\right) \times (V1 - V2) \dots [7]$$

In case of positive level shift is required, add V_{shift} to non-inverting input terminal of the amplifier A4. Then V_{out} is:

$$V_{out} = \frac{R7}{R5} \times \left(1 + \frac{2 \times R3}{VR1}\right) \times (V1 - V2) + V_{shift} \dots [8]$$

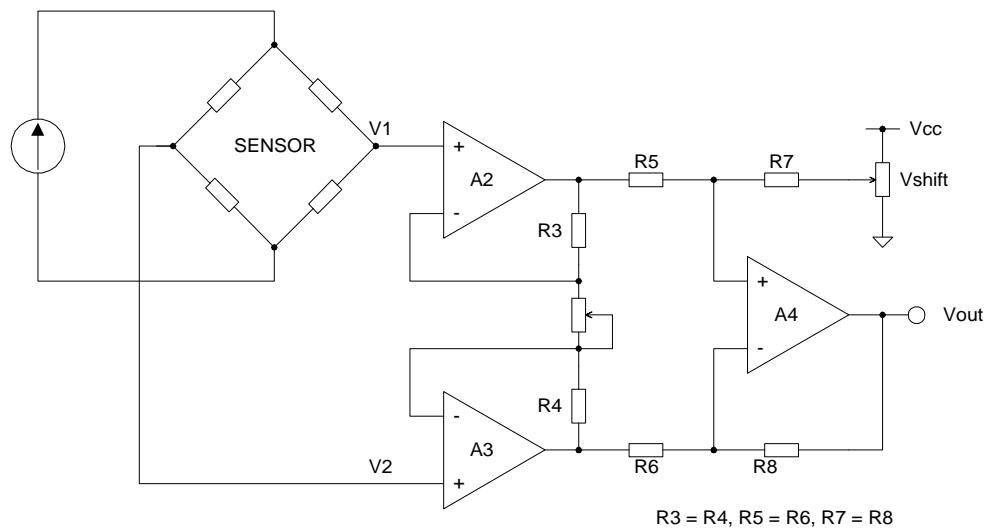


Fig. 5 Instrumentation amplifier

How to design circuit for FPM-07PG is by the following manner :

[FPM-07PG]

Pressure range(gauge) : -0.492 to +0.492 kg/cm²

Sensor output(I=1.5mA) : -80 to + 80 mV DC (example)

[Amplifier]

Supply voltage(Vcc) : 12V DC

Output voltage(Vout) : 1to9V DC

$$Gain = \frac{1 \sim 9V}{-80 \sim +80mV} = \frac{8V}{160mV} = 50$$

R3=R4=R5=R6=R7=R8=10k

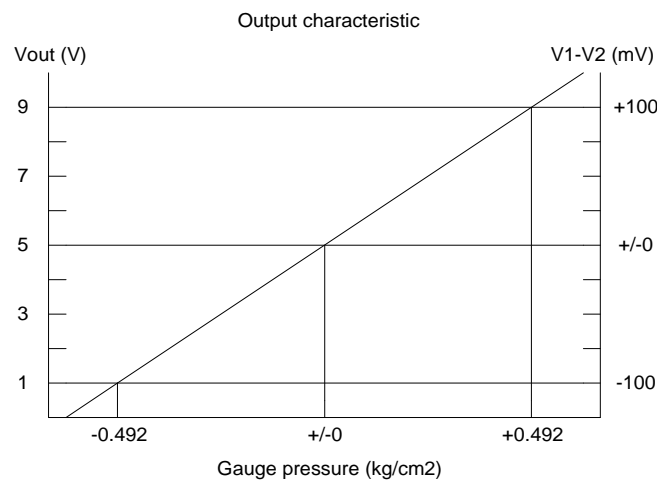
VR1=2k : adjust to approx. 400 ohm

Vref=1.235V (refer Fig.2)

VR2=10k : adjust to approx. 4.2k (Vshift=5V)

*All resistors should be 1/4W and 1% tolerance

*This circuit does not include temperature compensation resistor.



4. Temperature Compensation

Piezoresistive pressure sensor has two temperature characteristics - Temperature Sensitivity of Offset and Temperature Coefficient of Span output. For high precision measurement, temperature compensation is recommended as below.

4-1 Temperature Sensitivity of Offset (TSO)

TSO is the temperature drift behavior of bridge output at free of pressure. It is caused by :

- Difference of thermal expansion coefficient of each components of the sensor ...silicon chip, glass pedestal, bonding resin, and package.
- Difference of thermal expansion coefficient of each material of the sensing chip ...silicon substrate, oxidation layer and aluminum pattern.
- Variety of thermal coefficient of the four piezoresistors of the bridge.
- Variety of resistance value of the four piezoresistors of the bridge.

In order to compensate TSO, a resistor such as metal film type, is connected in parallel to the bridge. Fig.6 shows a connection diagram, and the resistance is determined in the following manner,

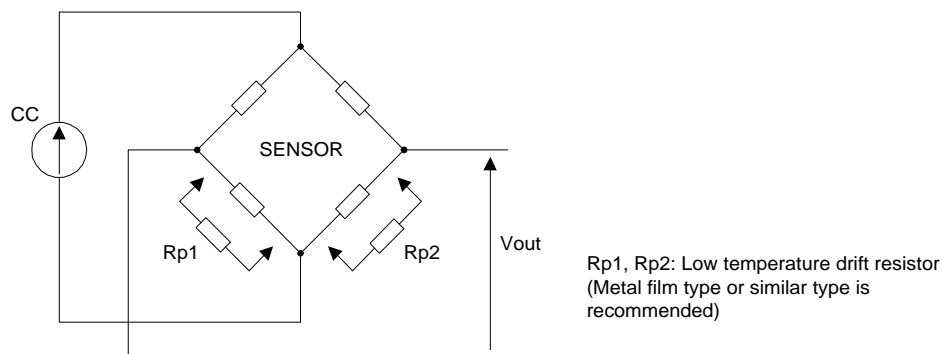


Fig. 6 Connection for TSO compensation

- $V(p,t)$ refers to the output voltage in pressure "p" and temp "t"
- "p0" refers to a no pressure condition. i.e. $V(p0)$ is the offset voltage.
- "tc" refers to the lower temp. of the operating temp. range, and "th" the higher.

(1) Measure the output voltage at the following 10 points :

Output	Rp1	Rp2
$V1=V(p0,tc)$	open	open
$V2=V(p0,tc)$	500k	open
$V3=V(p0,tc)$	1M	open
$V4=V(p0,tc)$	open	500k
$V5=V(p0,tc)$	open	1M
$V6=V(p0,th)$	open	open
$V7=V(p0,th)$	500k	open
$V8=V(p0,th)$	1M	open
$V9=V(p0,th)$	open	500k
$V10=V(p0,th)$	open	1M

(2) Calculate the temperature drift of the offset at each point.

$$TCV1=V6-V1$$

$$TCV2=V7-V2$$

$$TCV3=V8-V3$$



$$TCV4=V9-V4$$

$$TCV5=V10-V5$$

(3) Plot a temperature characteristic line as in Fig.7.

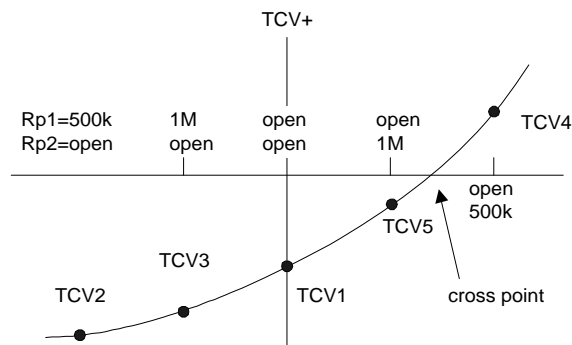


Fig. 7 Rp1, Rp2 vs. TCV

(4) The most suitable condition is the cross point of the line and X-axis. For example in Fig.7, Rp1 must be open (i.e.Rp1 is not needed) and Rp2 must be approximately 750k or so.

4-2 Temperature Coefficient of Span output (TCS)

TCS is the correlation between operating temperature and bridge output voltage. It is caused by the issues as below,

- (a) Impurity concentration of piezoresistors
- (b) Crystal direction of piezoresistors
- (c) Resistance value of external load resistor

The following describes the detail of the items (a), (c).

4-2-1 Impurity concentration of piezoresistors

TCS characteristic mainly depends on the impurity concentration of piezoresistors. Driven by a constant current source, the correlation is shown in Fig.8. There are two points of impurity concentration that can optimize the TCS.

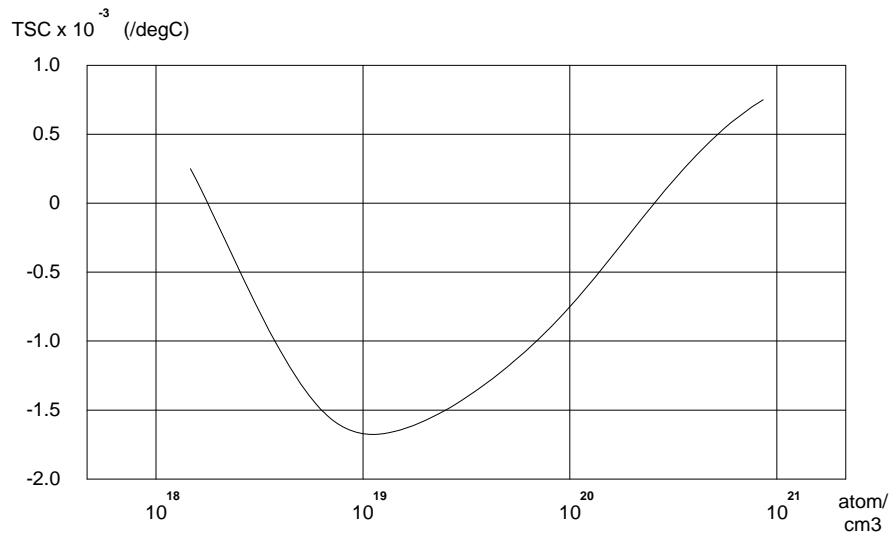


Fig. 8 Relation between temperature coefficient of the pressure sensitivity and impurity surface concentration

Fig.9 shows a temperature drift of pressure sensitivity at $2 \times 10^{20} \text{ atoms/cm}^3$ of impurity concentration. It shows that constant current source can make the temperature drift better than constant voltage source. An external load resistor is useful if further compensation is required. (Please refer to 4-2-2.) In case of constant voltage source, the temperature drift shows linear characteristic, therefore, a software compensation by micro-processor is useful.

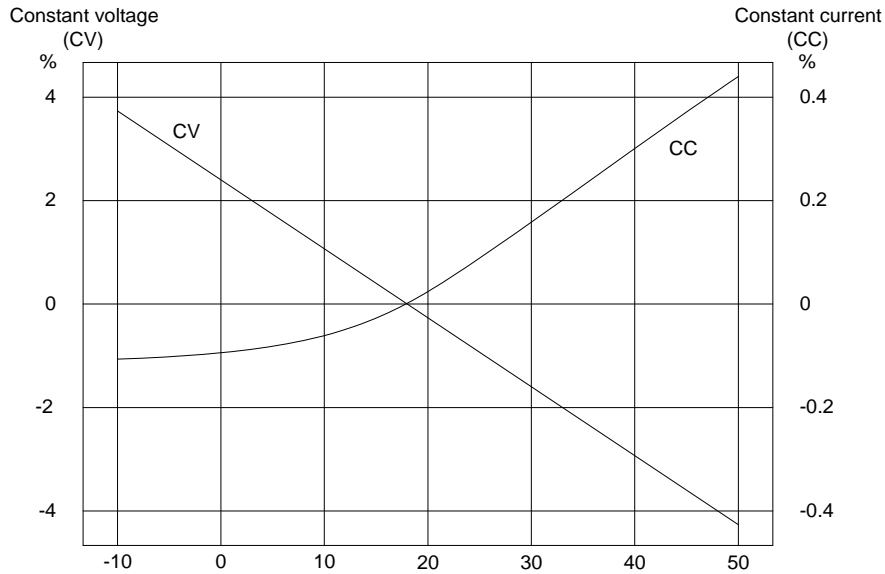


Fig. 9 Temperature drift of pressure sensitivity for voltage and current drive

4-2-2 Compensation by an external load resistor

A circuit with external load resistor is shown in Fig.10(a). When an external signal conditioning circuit, such as an amplifier or micro-processor, is connected to the sensor's output terminals, the input impedance of the device is considered as the load resistor R_L .

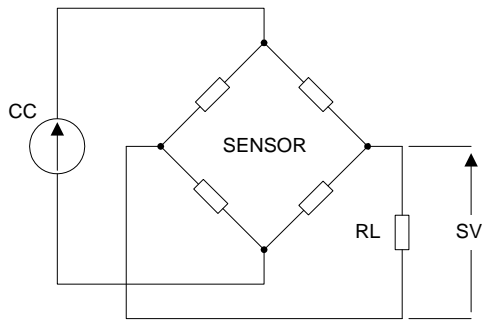


Fig. 10(a) Circuit with load resistor R_L

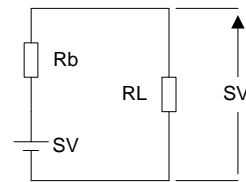


Fig. 10(b) Equivalent circuit

Showing an example of correlation between TCS and R_L , Fig. 11 indicates that there is the best R_L value to minimize the TCS property. However, please note that the availability of the compensation is limited by a condition that “bare” TCS property is



originally positive to the temperature.

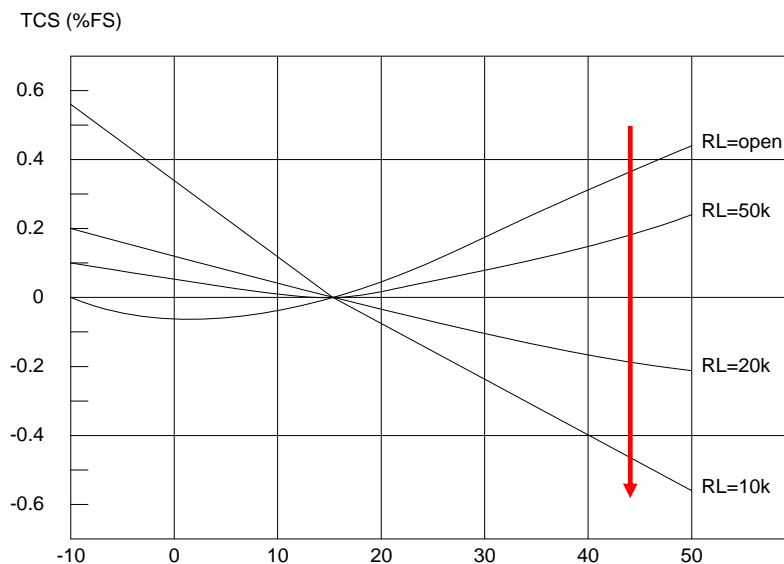


Fig. 11 Example of the relation between RL and TCS

Fig.10(b) shows the equivalent circuit of Fig.10(a), and the RL value is calculated by the following formula :

$$RL = \frac{SV_c \times R_{bh} - SV_h \times R_{bc}}{SV_h - SV_c} \quad \dots\dots[9]$$

where SV_c : Span output voltage at lower temp. of operating temp. range.
 SV_h : Span output voltage at higher temp. of operating temp. range.
 R_{bc} : Bridge resistance at lower temp. of operating temp.
 R_{bh} : Bridge resistance at higher temp. of operating temp.

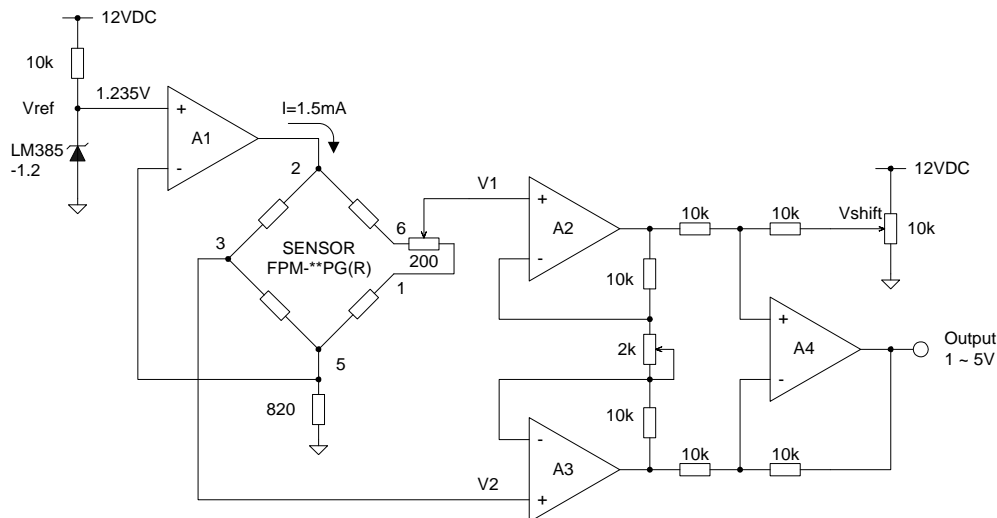
Please note that the RL reduces sensor span output voltage as the following formula :

$$SV' = \frac{RL}{R_b + RL} \times SV \quad \dots\dots[10]$$

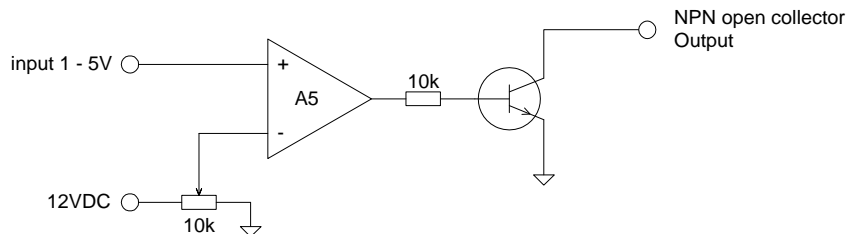


* * * * APPENDX 1 * * * * *

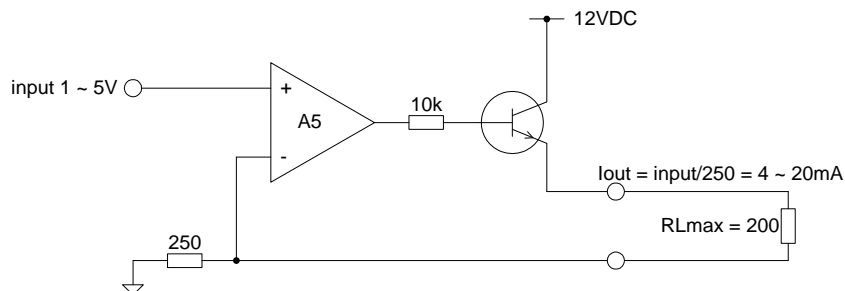
[Analog output]



[For pressure switch]



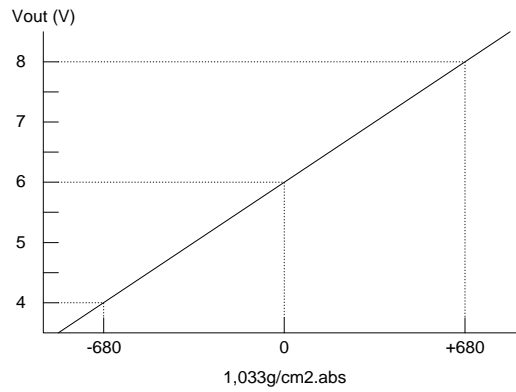
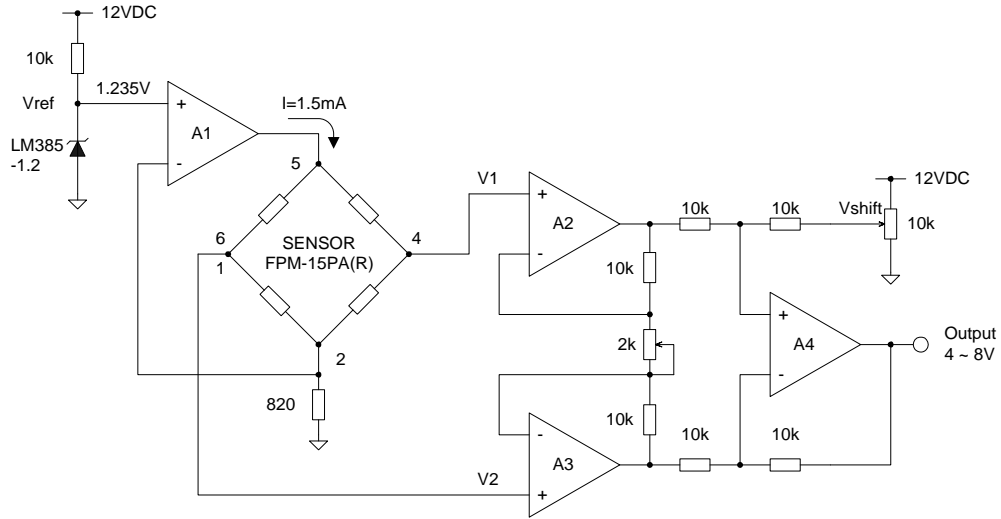
[For current output]





*****APPENDIX 2*****

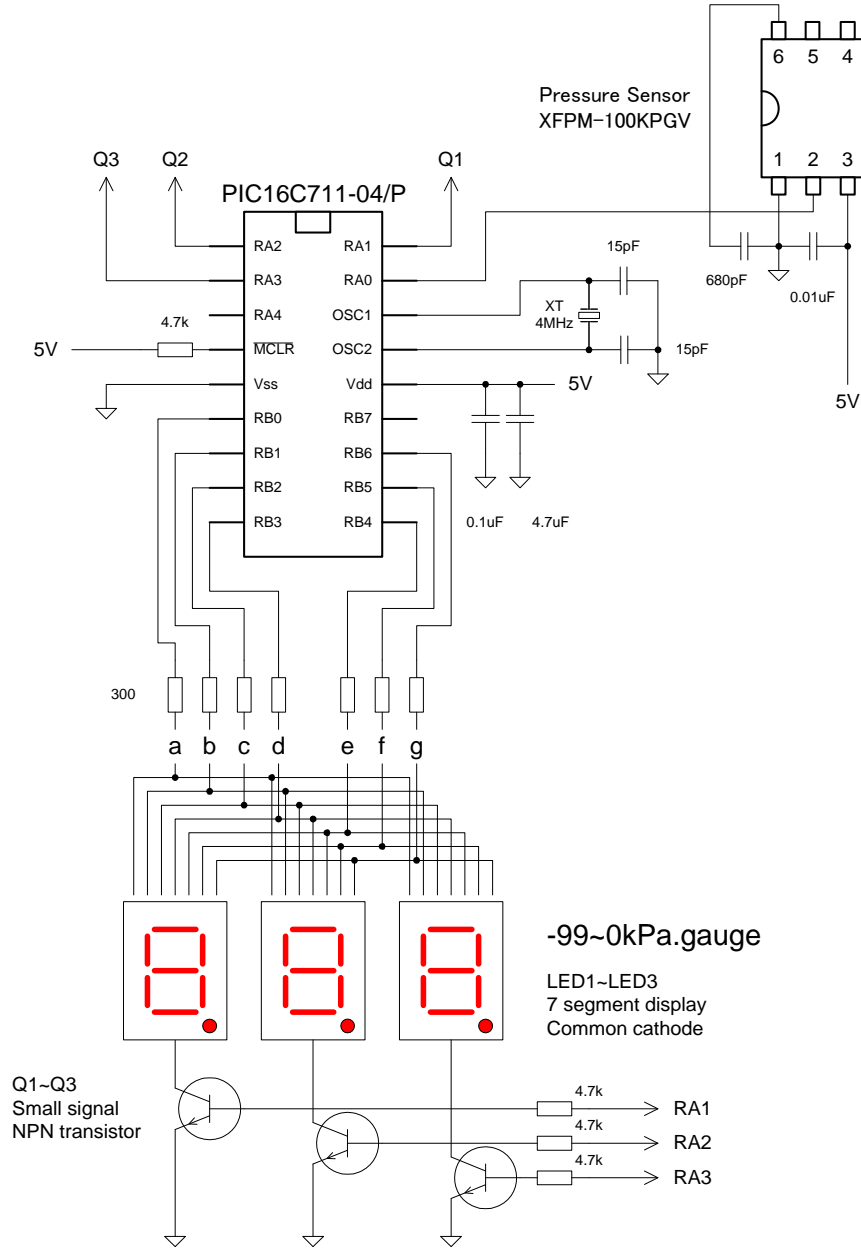
[Barometric pressure monitor]





*****APPENDIX 3*****

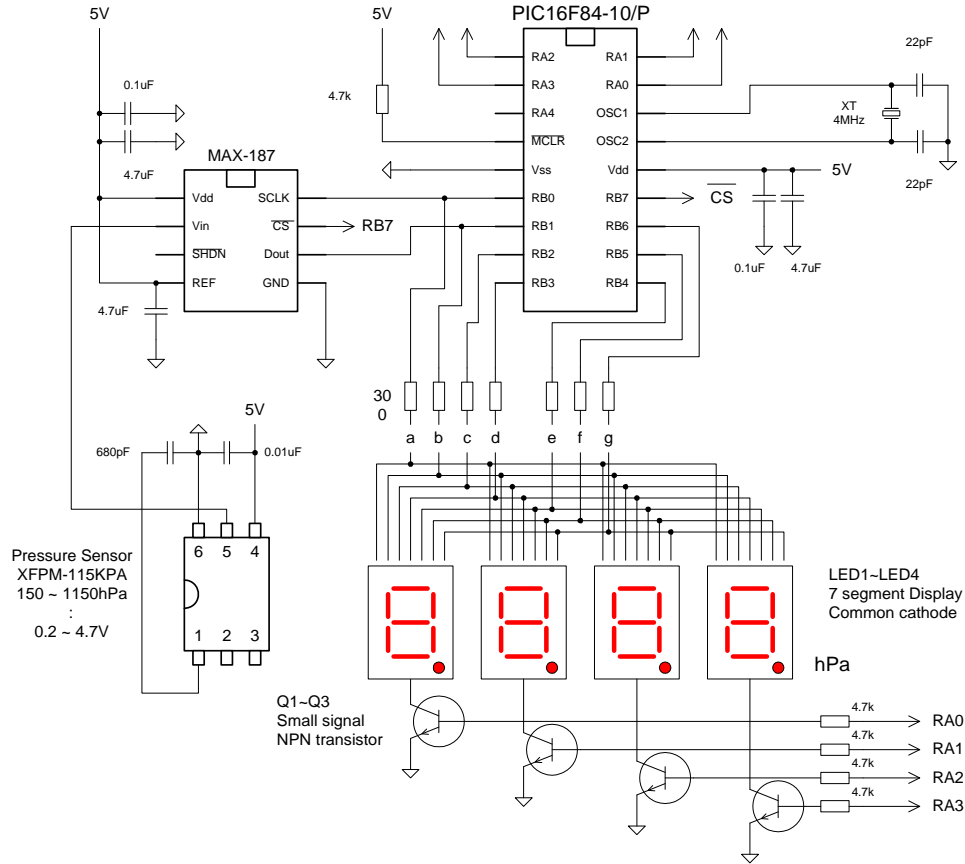
[Vacuum monitor]





*****APPENDIX 4*****

[Barometric pressure monitor]



16th November , 2009

Headquarter Switzerland:
Angst+Pfister Sensors and Power AG

Thurgauerstrasse 66
CH-8050 Zurich
Phone +41 44 877 35 00
sensorsandpower@angst-pfister.com

Office Germany:
Angst+Pfister Sensors and Power
Deutschland GmbH
Edisonstraße 16
D-85716 Unterschleißheim
Phone +49 89 374 288 87 0
sensorsandpower.de@angst-pfister.com



We are here for you. Addresses and Contacts.

Sales Germany & Austria

Geometrical sensors
Other products

Kurt Stritzelberger
Phone +49 89 374 288 87 22
kurt.stritzelberger@angst-pfister.com

Pressure sensors
Other products

Gerhard Vetter
Phone +49 89 374 288 87 26
gerhard.vetter@angst-pfister.com

Gas sensors and modules

Peter Felder
Phone +41 44 877 35 05
peter.felder@angst-pfister.com

Sales Switzerland & Liechtenstein

Postcode 3000 – 9999

Basil Frei
Phone +41 44 877 35 18
basil.frei@angst-pfister.com

Postcode 1000 – 2999

Christian Mohrenstecher
Phone +41 76 444 57 93
christian.mohrenstecher@angst-pfister.com

Sales International Key Accounts

Peter Felder
Phone +41 44 877 35 05
peter.felder@angst-pfister.com

Sales Other Countries / Product Management

Pressure Sensors
Load Cells

Philipp Kistler
Phone +41 44 877 35 03
philipp.kistler@angst-pfister.com

Gas sensors
Gas sensor modules

Dr. Thomas Clausen
Phone +49 89 374 288 87 24
thomas.clausen@angst-pfister.com

Flow / Level / Medical products

Dr. Adriano Pittarelli
Phone +49 89 374 288 87 67
adriano.pittarelli@angst-pfister.com

Power supplies

Sebastiano Leggio
Phone +41 44 877 35 06
sebastiano.leggio@angst-pfister.com

Linear position sensors
Angle sensors

Eric Letsch
Phone +41 44 877 35 14
eric.letsch@angst-pfister.com

Accelerometers
Sensor elements

Christoph Kleye
Phone +49 89 374 288 87 61
christoph.kleye@angst-pfister.com

Drive technology
CH Postcode 5000 – 9999 / DE

Roman Homa
Phone +41 76 444 00 86
roman.homa@angst-pfister.com

Drive technology
CH Postcode 1000 – 4999 / AT / IT / FR

Christian Mohrenstecher
Phone +41 76 444 57 93
christian.mohrenstecher@angst-pfister.com

Harald Thomas
Phone +49 89 374 288 87 23
harald.thomas@angst-pfister.com