

Sensing element / Gauge

FGM Data sheet

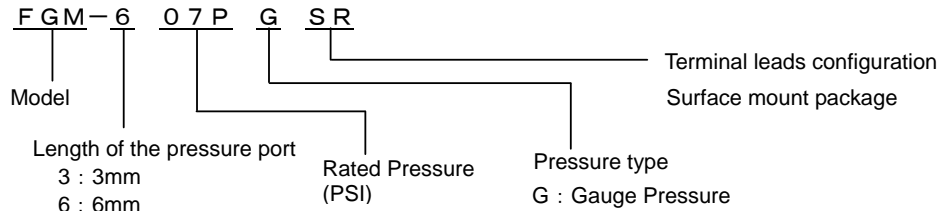
■ Features

Surface mount package

■ Applications

- Industrial instrumentation
- Pressure switch, Pneumatic device
- Medical device

■ Part number for ordering



	Weight (grams)		Weight (grams)
	0.3		0.35

Measurable pressure range(kPa)	Part number for ordering	
	3mm pressure port	6mm pressure port
-13.79~13.79	FGM-302PGSR	FGM-602PGSR
-34.47~34.47	FGM-305PGSR	FGM-605PGSR
-48.26~48.26	FGM-307PGSR	FGM-607PGSR
-98.07~103.4	FGM-315PGSR	FGM-615PGSR
-98.07~206.8	FGM-330PGSR	FGM-630PGSR
-98.07~344.7	FGM-350PGSR	FGM-650PGSR
-98.07~482.6	FGM-370PGSR	FGM-670PGSR
-98.07~827.4	FGM-3120PGSR	FGM-6120PGSR

RoHS compliance

■ Specifications

Model	02PG	05PG	07PG	15PG	30PG	50PG	70PG	120PG	Unit
Recommended operating conditions									
Pressure type	Gauge pressure								—
Rated pressure	13.79	34.47	48.26	103.4	206.8	344.7	482.6	827.4	kPa
Measurable pressure range	-13.79 ~13.79	-34.47 ~34.47	-48.26 ~48.26	-98.07 ~103.4	-98.07 ~206.8	-98.07 ~344.7	-98.07 ~482.6	-98.07 ~827.4	kPa
Temperature range	0~50								°C
Pressure media	Non-corrosive gases only (No liquid)								—
Excitation current (Constant)	1.5								mADC
Absolute maximum rating									
Maximum load pressure	Twice of rated pressure							1.5 times of rating pressure	—
Maximum excitation current	3.0								mADC
Operating temperature	-20~100								°C
Storage temperature	-40~120								°C
Operating humidity	30~80 (Non dew condition)								%RH
Electric characteristics (Drive Current 1.5mA constant, ambient temperature Ta=25°C)									
Output span voltage	60~140 (at 0kPa~rated pressure)								mV
Offset voltage	±20 (at 0kPa)								mV
Bridge resistance	4000~6000								Ω
Response time	2 (for the reference)								msec
Accuracy	TSO*	±5							%FS/ 0~50°C
	TCS*	2.5							
	Linearity	±0.5	±0.3				±0.5	±0.6	
	Pressure hysteresis	±0.4	±0.2				±0.4		

*TSO: Temperature sensitivity of offset voltage
 *TCS: Temperature coefficient of output span voltage
 *Temperature range from 0-50 deg C



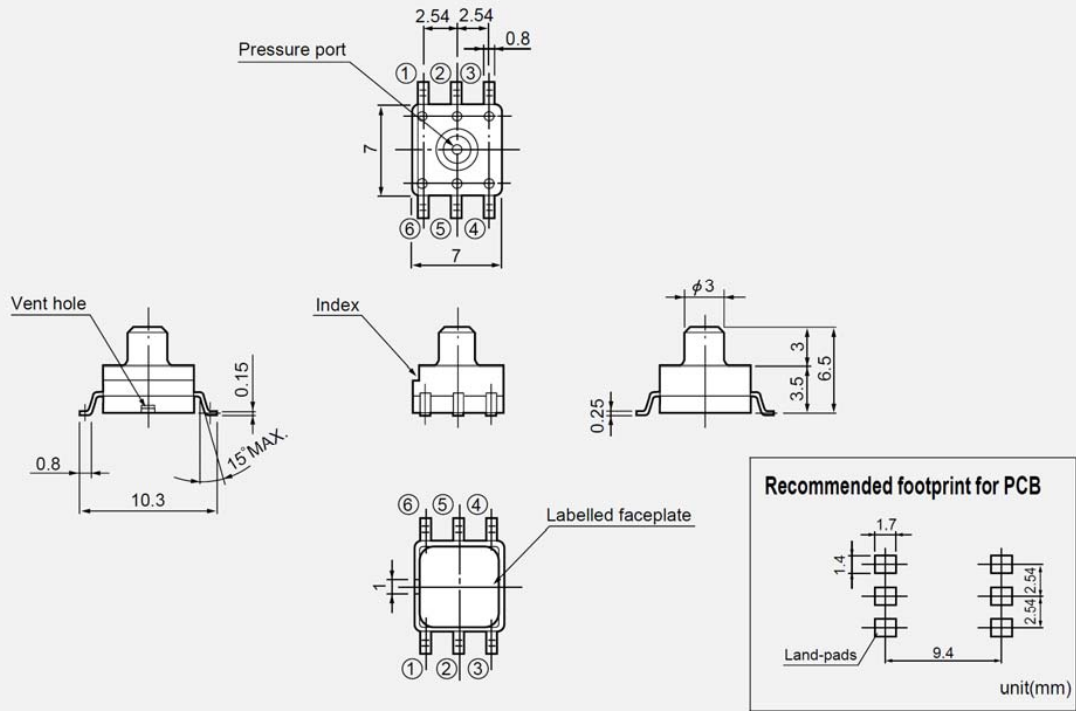
Sensing element / Gauge

FGM Data sheet

■ Outline dimensions ■

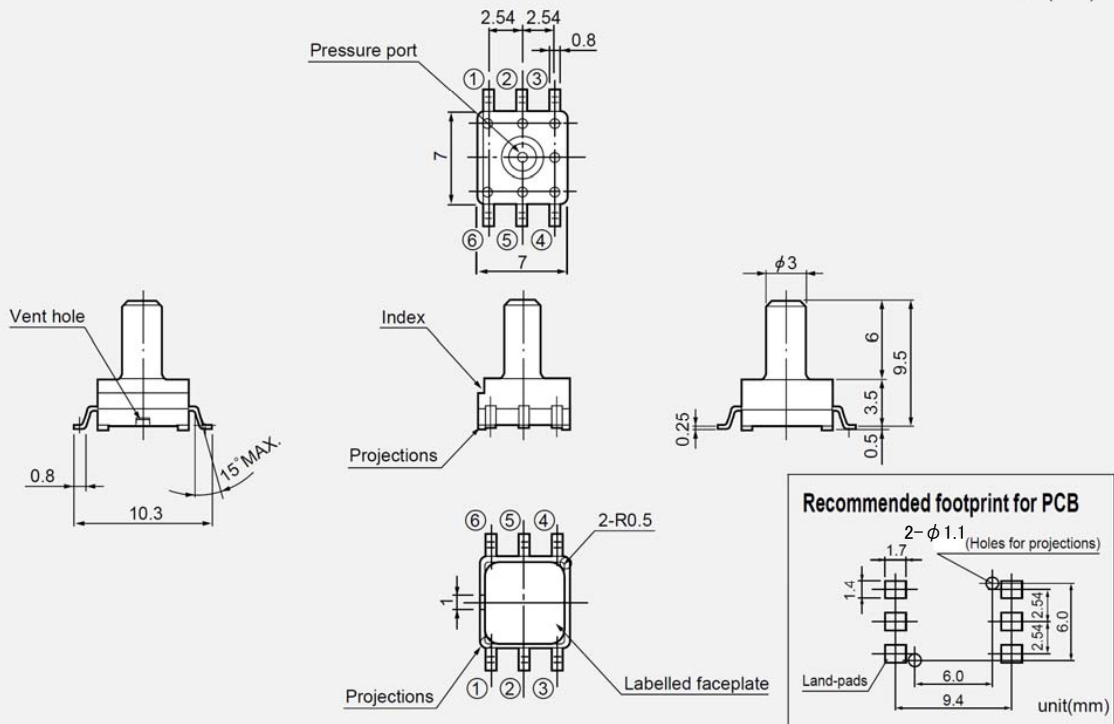
FGM-3

unit(mm)

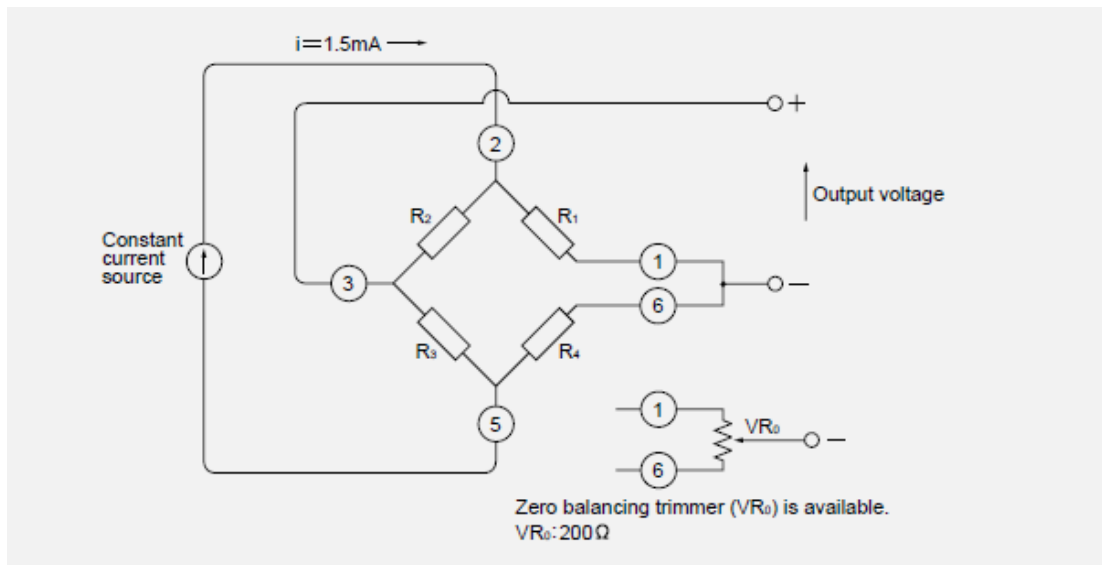


FGM-6

unit(mm)



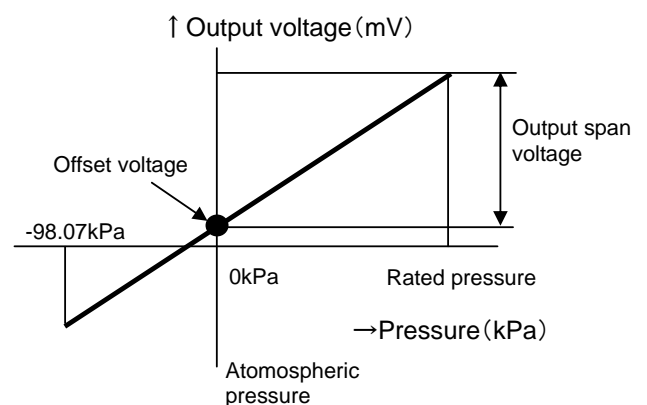
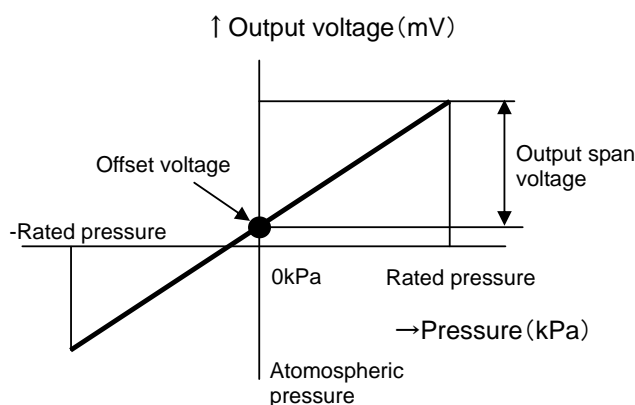
■ Connection diagram ■



■ Output characteristics ■

<302PG~307PG>
<602PG~607PG>

<315PG~3120PG>
<615PG~6120PG>



Note ; Please read instruction "Notes" before using the sensor.
Fujikura reserves the right to change specifications without notice.

If you have any questions regarding technical issues or specifications, please contact us.
Sensor Engineering Department 5-1 Kiba 1-chome, Koto-ku, Tokyo 135-8512, Japan
Phone +81-(0)3-5606-1072
E-mail : sensor@fujikura.co.jp

Headquarter Switzerland:
Angst+Pfister Sensors and Power AG

Thurgauerstrasse 66
CH-8050 Zurich
Phone +41 44 877 35 00
sensorsandpower@angst-pfister.com

Office Germany:
Angst+Pfister Sensors and Power
Deutschland GmbH
Edisonstraße 16
D-85716 Unterschleißheim
Phone +49 89 374 288 87 0
sensorsandpower.de@angst-pfister.com



We are here for you. Addresses and Contacts.

Sales Germany & Austria

Geometrical sensors
Other products

Kurt Stritzelberger
Phone +49 89 374 288 87 22
kurt.stritzelberger@angst-pfister.com

Pressure sensors
Other products

Gerhard Vetter
Phone +49 89 374 288 87 26
gerhard.vetter@angst-pfister.com

Gas sensors and modules

Peter Felder
Phone +41 44 877 35 05
peter.felder@angst-pfister.com

Sales Switzerland & Liechtenstein

Postcode 3000 – 9999

Basil Frei
Phone +41 44 877 35 18
basil.frei@angst-pfister.com

Postcode 1000 – 2999

Christian Mohrenstecher
Phone +41 76 444 57 93
christian.mohrenstecher@angst-pfister.com

Sales International Key Accounts

Peter Felder
Phone +41 44 877 35 05
peter.felder@angst-pfister.com

Sales Other Countries / Product Management

Pressure Sensors
Load Cells

Philipp Kistler
Phone +41 44 877 35 03
philipp.kistler@angst-pfister.com

Gas sensors
Gas sensor modules

Dr. Thomas Clausen
Phone +49 89 374 288 87 24
thomas.clausen@angst-pfister.com

Flow / Level / Medical products

Dr. Adriano Pittarelli
Phone +49 89 374 288 87 67
adriano.pittarelli@angst-pfister.com

Power supplies

Sebastiano Leggio
Phone +41 44 877 35 06
sebastiano.leggio@angst-pfister.com

Linear position sensors
Angle sensors

Eric Letsch
Phone +41 44 877 35 14
eric.letsch@angst-pfister.com

Accelerometers
Sensor elements

Christoph Kleye
Phone +49 89 374 288 87 61
christoph.kleye@angst-pfister.com

Drive technology
CH Postcode 5000 – 9999 / DE

Roman Homa
Phone +41 76 444 00 86
roman.homa@angst-pfister.com

Drive technology
CH Postcode 1000 – 4999 / AT / IT / FR

Christian Mohrenstecher
Phone +41 76 444 57 93
christian.mohrenstecher@angst-pfister.com

Harald Thomas
Phone +49 89 374 288 87 23
harald.thomas@angst-pfister.com