

## Sensing element / Differential

## FDM Data sheet

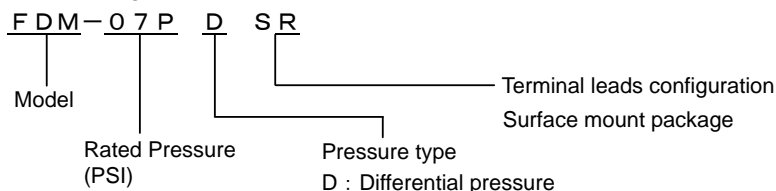
## ■ Features

Differential pressure, Surface mount package

## ■ Applications

- Industrial instrumentation
- Pressure switch, Pneumatic device
- Medical device

## ■ Part number for ordering



RoHS compliance

Measurable pressure range(kPa)	Part number for ordering
-13.79~13.79	FDM-02PDSR
-34.47~34.47	FDM-05PDSR
-48.26~48.26	FDM-07PDSR
-103.4~103.4	FDM-15PDSR
-206.8~206.8	FDM-30PDSR
-344.7~344.7	FDM-50PDSR
-482.6~482.6	FDM-70PDSR
-827.4~827.4	FDM-120PDSR

## ■ Specifications

Model	02PD	05PD	07PD	15PD	30PD	50PD	70PD	120PD	Unit	
<b>Recommended operating conditions</b>										
Pressure type	Differential pressure								—	
Rated pressure	13.79	34.47	48.26	103.4	206.8	344.7	482.6	827.4	kPa	
Measurable pressure range	-13.79 ~13.79	-34.47 ~34.47	-48.26 ~48.26	-103.4 ~103.4	-206.8~ 206.8	-344.7~ 344.7	-482.6~ 482.6	-827.4~ 827.4	kPa	
Temperature range	0~50								°C	
Pressure media	Non-corrosive gases only (No liquid)								—	
Excitation current (Constant)	1.5								mADC	
<b>Absolute maximum rating</b>										
Maximum differential pressure **1	Twice of rated pressure							1.5 times of rating pressure	—	
Port1 Maximum load pressure										
Port2 Maximum load pressure										
Maximum excitation current	3.0								mADC	
Operating temperature	-20~100								°C	
Storage temperature	-40~120								°C	
Operating humidity	30~80 (Non dew condition)								%RH	
<b>Electric characteristics (Drive Current 1.5mA constant, ambient temperature Ta=25°C)</b>										
Output span voltage **2	60~140 (at 0kPa~rated pressure)								mV	
Offset voltage	±20 (at 0kPa)								mV	
Bridge resistance	4000~6000								Ω	
Response time	2 (for the reference)								msec	
Accuracy	TSO*								±5	%FS/ 0~50°C
	TCS*								2.5	
	Linearity		±0.5	±0.3			±0.5	±0.6	%FS	
	Pressure hysteresis		±0.4	±0.2			±0.4		%FS	

\*TSO: Temperature sensitivity of offset voltage    \*TCS: Temperature coefficient of output span voltage

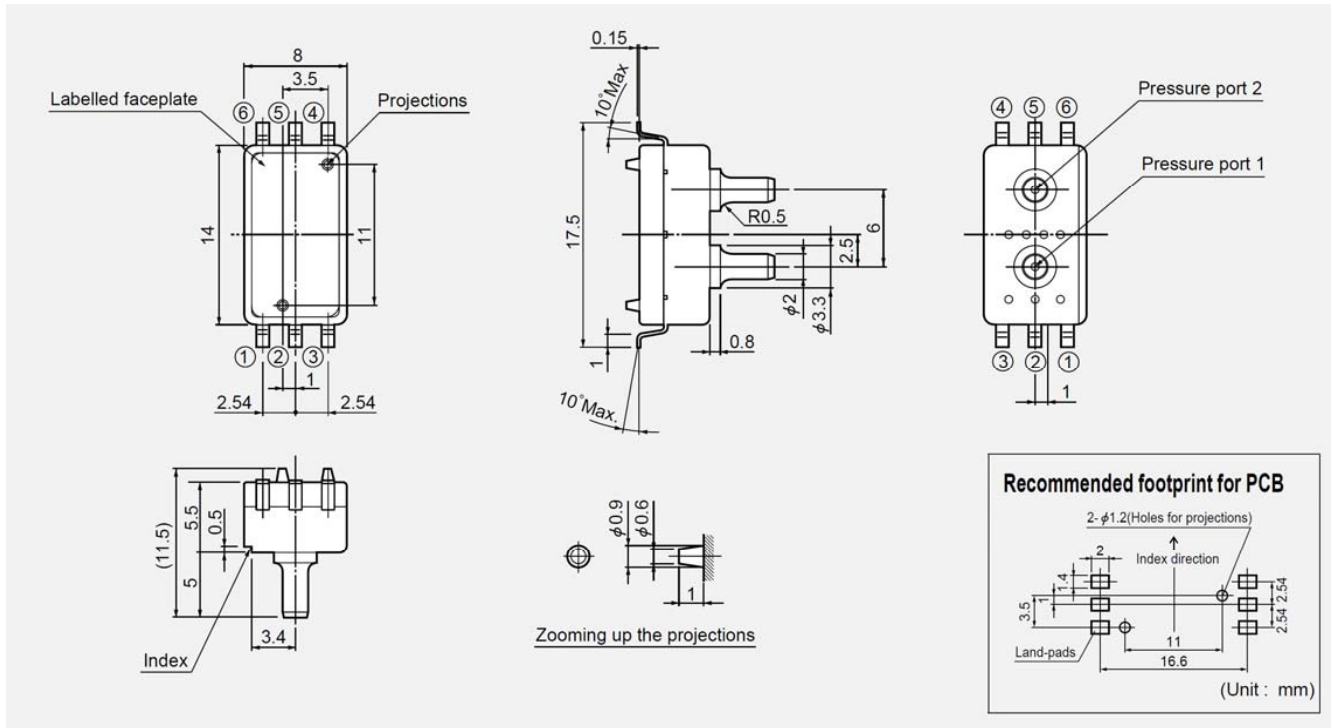
\*\*Temperature range from 0-50 deg C

\*\*1 Port1 pressure >Port2 pressure , Port2 pressure : reference pressure

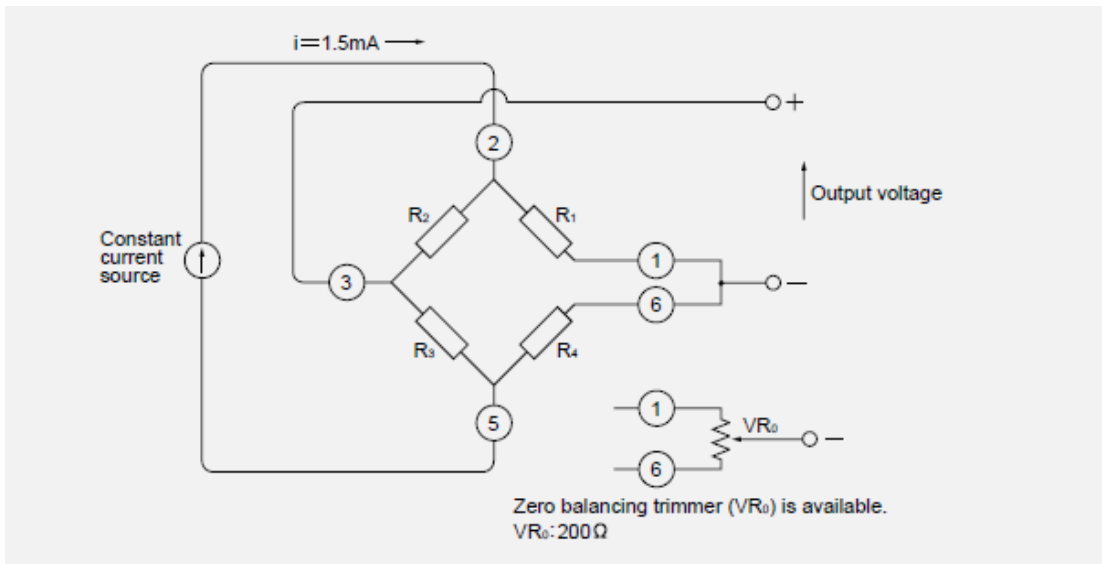
\*\*2 Output refers to pressure at pressure port2.

"Tsunagu" Technology  
**Fujikura**

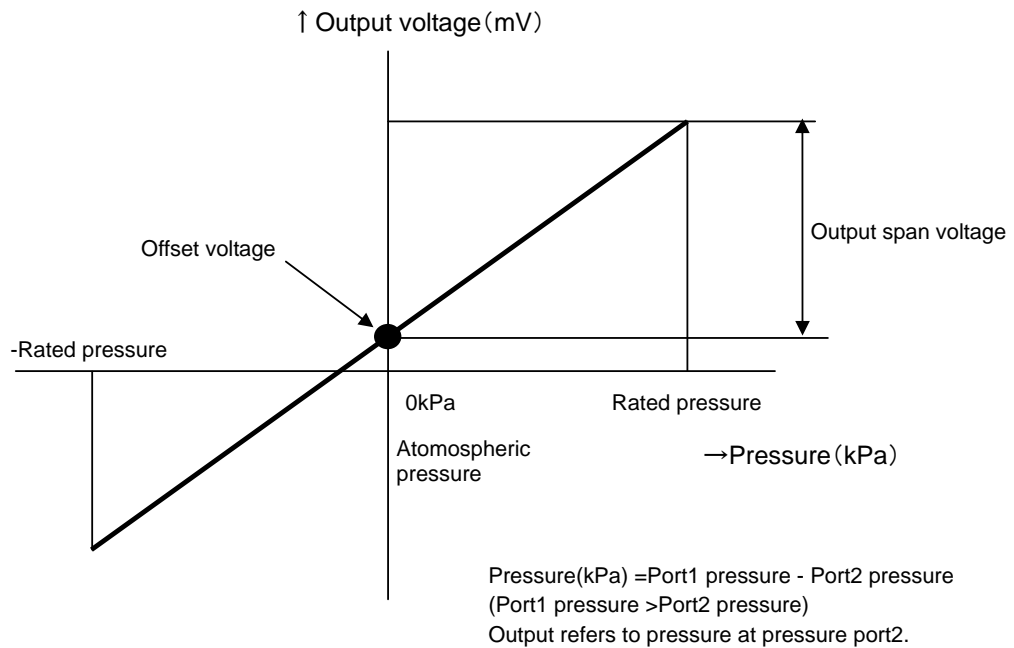
■ Outline dimensions ■



■ Connection diagram ■



### ■ Output characteristics ■



Note ; Please read instruction "Notes" before using the sensor.  
Fujikura reserves the right to change specifications without notice.

If you have any questions regarding technical issues or specifications, please contact us.  
Sensor Engineering Department 5-1 Kiba 1-chome, Koto-ku, Tokyo 135-8512, Japan  
Phone +81-(0)3-5606-1072  
E-mail : [sensor@fujikura.co.jp](mailto:sensor@fujikura.co.jp)

Headquarter Switzerland:  
Angst+Pfister Sensors and Power AG

Thurgauerstrasse 66  
CH-8050 Zurich  
Phone +41 44 877 35 00  
sensorsandpower@angst-pfister.com

Office Germany:  
Angst+Pfister Sensors and Power  
Deutschland GmbH  
Edisonstraße 16  
D-85716 Unterschleißheim  
Phone +49 89 374 288 87 0  
sensorsandpower.de@angst-pfister.com



## We are here for you. Addresses and Contacts.

### Sales Germany & Austria

Geometrical sensors  
Other products

Kurt Stritzelberger  
Phone +49 89 374 288 87 22  
kurt.stritzelberger@angst-pfister.com

Pressure sensors  
Other products

Gerhard Vetter  
Phone +49 89 374 288 87 26  
gerhard.vetter@angst-pfister.com

Gas sensors and modules

Peter Felder  
Phone +41 44 877 35 05  
peter.felder@angst-pfister.com

### Sales Switzerland & Liechtenstein

Postcode 3000 – 9999

Basil Frei  
Phone +41 44 877 35 18  
basil.frei@angst-pfister.com

Postcode 1000 – 2999

Christian Mohrenstecher  
Phone +41 76 444 57 93  
christian.mohrenstecher@angst-pfister.com

### Sales International Key Accounts

Peter Felder  
Phone +41 44 877 35 05  
peter.felder@angst-pfister.com

### Sales Other Countries / Product Management

Pressure Sensors  
Load Cells

Philipp Kistler  
Phone +41 44 877 35 03  
philipp.kistler@angst-pfister.com

Gas sensors  
Gas sensor modules

Dr. Thomas Clausen  
Phone +49 89 374 288 87 24  
thomas.clausen@angst-pfister.com

Flow / Level / Medical products

Dr. Adriano Pittarelli  
Phone +49 89 374 288 87 67  
adriano.pittarelli@angst-pfister.com

Power supplies

Sebastiano Leggio  
Phone +41 44 877 35 06  
sebastiano.leggio@angst-pfister.com

Linear position sensors  
Angle sensors

Eric Letsch  
Phone +41 44 877 35 14  
eric.letsch@angst-pfister.com

Accelerometers  
Sensor elements

Christoph Kleye  
Phone +49 89 374 288 87 61  
christoph.kleye@angst-pfister.com

Drive technology  
CH Postcode 5000 – 9999 / DE

Roman Homa  
Phone +41 76 444 00 86  
roman.homa@angst-pfister.com

Drive technology  
CH Postcode 1000 – 4999 / AT / IT / FR

Christian Mohrenstecher  
Phone +41 76 444 57 93  
christian.mohrenstecher@angst-pfister.com

Harald Thomas  
Phone +49 89 374 288 87 23  
harald.thomas@angst-pfister.com