

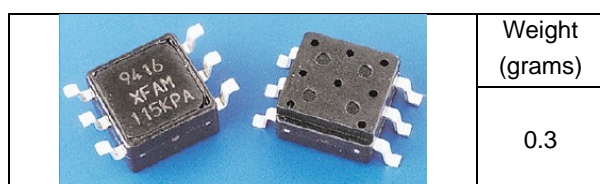
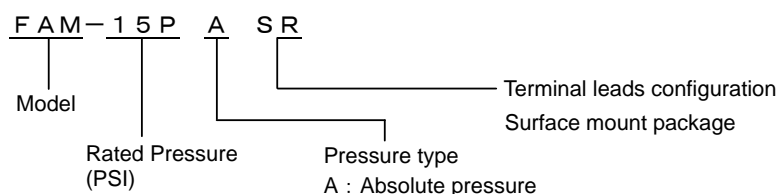
■ Features

Barometric pressure measurable
Surface mount package

■ Applications

- Industrial instrumentation
- Medical device
- Barometer, Altimeter
- Altitude compensation

■ Part number for ordering



RoHS compliance

Measurable pressure range(kPa·abs)	Part number for ordering
34.66~168.0	FAM-15PASR

■ Specifications

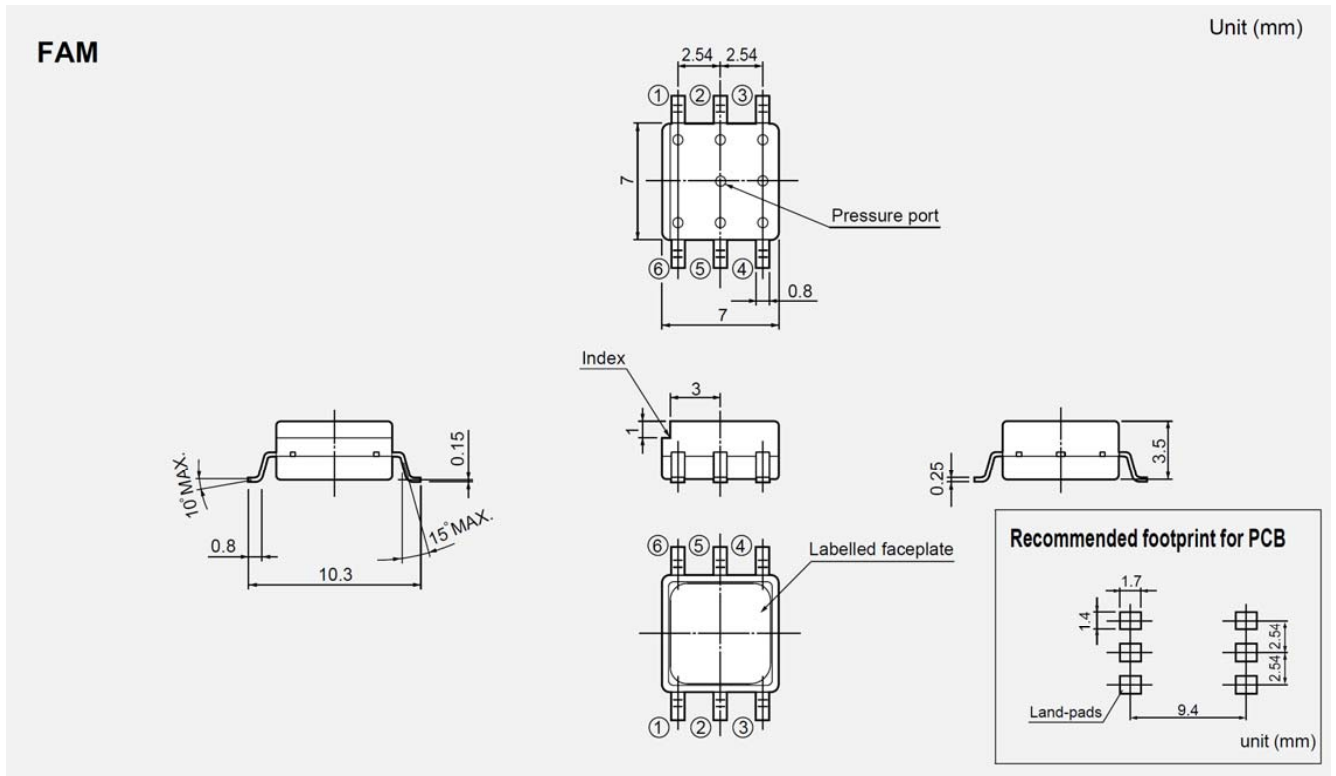
Model	FAM-15PASR	Unit	
Recommended operating conditions			
Pressure type	Absolute pressure	—	
Rated pressure	168.0	kPa·abs	
Measurable pressure range	34.66~168.0	kPa·abs	
Temperature range	0~50	°C	
Pressure media	Non-corrosive gases only (No liquid)	—	
Excitation current (Constant)	1.5	mADC	
Absolute maximum rating			
Maximum load pressure	Twice of rated pressure	—	
Maximum excitation current	3.0	mADC	
Operating temperature	-20~100	°C	
Storage temperature	-40~120	°C	
Operating humidity	30~80 (Non dew condition)	%RH	
Electric characteristics (Drive Current 1.5mA constant ,ambient temperature Ta=25°C)			
Output span voltage	80~160 (at 34.66~168.0kPa·abs)	mV	
Offset voltage	50~130 (at 101.3 kPa·abs)	mV	
Bridge resistance	4000~6000	Ω	
Response time	2 (for the reference)	msec	
Accuracy	TSO*	±3	%FS/0~50°C
	TCS*	2.5	%FS/0~50°C
	Linearity	±0.3	%FS
	Pressure hysteresis	±0.2	%FS

*TSO: Temperature sensitivity of offset voltage

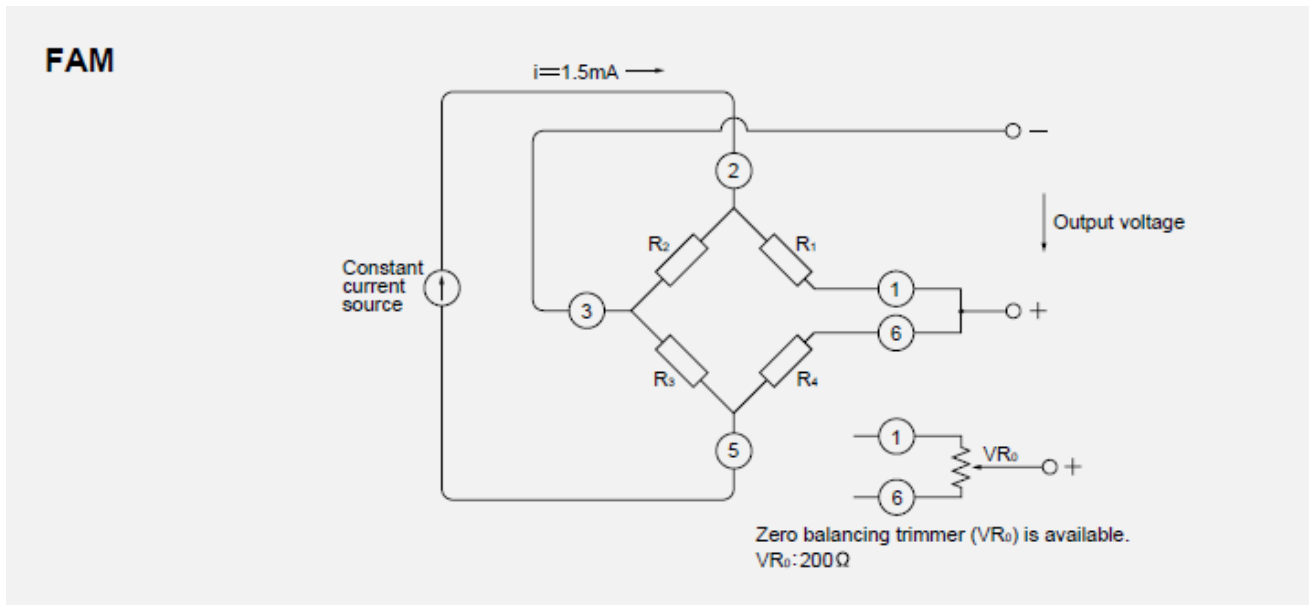
*TCS: Temperature coefficient of output span voltage

*Temperature range from 0-50 deg C

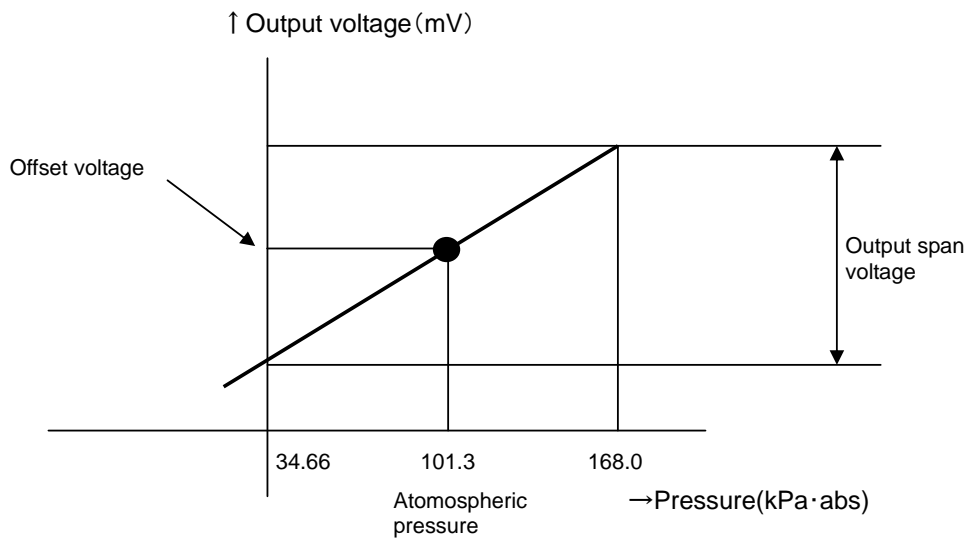
■ Outline dimensions ■



■ Connection diagram ■



■ Output characteristics ■



Note ; Please read instruction "Notes" before using the sensor.
Fujikura reserves the right to change specifications without notice.

If you have any questions regarding technical issues or specifications, please contact us.
Sensor Engineering Department 5-1 Kiba 1-chome, Koto-ku, Tokyo 135-8512, Japan
Phone +81-(0)3-5606-1072
E-mail : sensor@fujikura.co.jp

Headquarter Switzerland:
Angst+Pfister Sensors and Power AG

Thurgauerstrasse 66
CH-8050 Zurich
Phone +41 44 877 35 00
sensorsandpower@angst-pfister.com

Office Germany:
Angst+Pfister Sensors and Power
Deutschland GmbH
Edisonstraße 16
D-85716 Unterschleißheim
Phone +49 89 374 288 87 0
sensorsandpower.de@angst-pfister.com



We are here for you. Addresses and Contacts.

Sales Germany & Austria

Geometrical sensors
Other products

Kurt Stritzelberger
Phone +49 89 374 288 87 22
kurt.stritzelberger@angst-pfister.com

Pressure sensors
Other products

Gerhard Vetter
Phone +49 89 374 288 87 26
gerhard.vetter@angst-pfister.com

Gas sensors and modules

Peter Felder
Phone +41 44 877 35 05
peter.felder@angst-pfister.com

Sales Switzerland & Liechtenstein

Postcode 3000 – 9999

Basil Frei
Phone +41 44 877 35 18
basil.frei@angst-pfister.com

Postcode 1000 – 2999

Christian Mohrenstecher
Phone +41 76 444 57 93
christian.mohrenstecher@angst-pfister.com

Sales International Key Accounts

Peter Felder
Phone +41 44 877 35 05
peter.felder@angst-pfister.com

Sales Other Countries / Product Management

Pressure Sensors
Load Cells

Philipp Kistler
Phone +41 44 877 35 03
philipp.kistler@angst-pfister.com

Gas sensors
Gas sensor modules

Dr. Thomas Clausen
Phone +49 89 374 288 87 24
thomas.clausen@angst-pfister.com

Flow / Level / Medical products

Dr. Adriano Pittarelli
Phone +49 89 374 288 87 67
adriano.pittarelli@angst-pfister.com

Power supplies

Sebastiano Leggio
Phone +41 44 877 35 06
sebastiano.leggio@angst-pfister.com

Linear position sensors
Angle sensors

Eric Letsch
Phone +41 44 877 35 14
eric.letsch@angst-pfister.com

Accelerometers
Sensor elements

Christoph Kleye
Phone +49 89 374 288 87 61
christoph.kleye@angst-pfister.com

Drive technology
CH Postcode 5000 – 9999 / DE

Roman Homa
Phone +41 76 444 00 86
roman.homa@angst-pfister.com

Drive technology
CH Postcode 1000 – 4999 / AT / IT / FR

Christian Mohrenstecher
Phone +41 76 444 57 93
christian.mohrenstecher@angst-pfister.com

Harald Thomas
Phone +49 89 374 288 87 23
harald.thomas@angst-pfister.com