

Re-notification

Product End-of-Life (EOL) Notification

Attention: Valued customers

EOL Number: V-9051A

Issue Date:

July 15, 2016 --- 1st announcement

April 27, 2018 --- 2nd announcement

EOL Product Description:

Integrated pressure sensor (Pre-amplified, 5 Volts, Gauge pressure)

- XFPM-****PG(R) Series
- XFPN-****PG(R) Series
- XFGM-****PGSR Series
- XFGN-****PGSR Series

Exact part numbers are shown on Table 2 in the page 3.

Regarding customized products that have custom ID in the part number, an individual notification will be issued.

Replacement:

Amplified temperature compensated pressure sensor

- AP2 Series --- Doc#: V-70001A
- AG2 Series --- Doc#: V-70001A

Please refer to the page 2 for replacing the sensor.

Reason for EOL:

Fujikura expects that maintenance of the production line of the integrated pressure sensor will be difficult in the future. Therefore we decided to announce this EOL with enough margin for the last time buy date.

The amplified temperature compensated pressure sensor AP2 and AG2 series were developed for the upper compatible product of the integrated pressure sensor in 2013, and were launched in 2014.

It would not be recommend to stock up on the EOL sensors.

Fujikura strongly recommends to redesign your applications with the AP2 and AG2 sensors.

Last Time Buy Date: June 30, 2019

Last Ship Date: March 31, 2020

Issued by:

Kiyotaka Osanai

General Manager of Sensor Business Unit

Electronics business Company

Fujikura Ltd.

1-5-1, Kiba, Koto-Ku, Tokyo, 135-8512, Japan

Tel +81 3 5606 1072 Fax +81 3 5606 1567

V-9051A

Table 1: Comparison table of the specifications

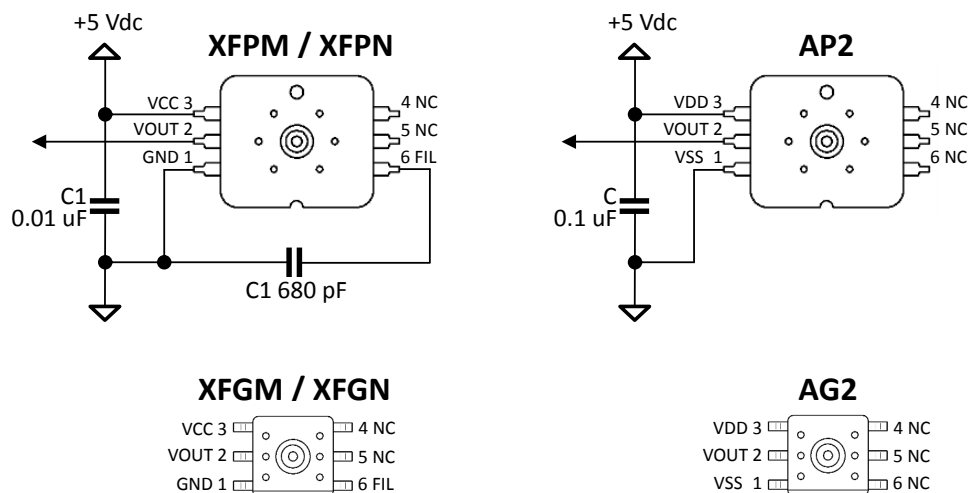
Item	Condition	XFPN/ XFGN	XFPM/XFGM	AP2 / AG2	Unit
Type of Pressure		Gauge pressure			
Pressure Media		Non-corrosive gases			
Operating Temperature		-10 to +80	-40 to +125	-40 to +125	°C
Storage Temperature		-20 to +100	-40 to +125	-40 to +125	°C
Compensated Temperature		0 to +50	0 to +85	0 to +85	°C
Supply Voltage		5±0.25	5±0.25	5±0.25	Vdc
Offset Voltage		0.5 (*1)	0.2	0.2	V
Full Scale Voltage		4.5 (*1)	4.7	4.7	V
Span Voltage		4.0 (*1)	4.5	4.5	V
Accuracy	Compensated Temperature	±5.0	±2.5	±1.5	%FS
Output Resolution		-	-	2.5 (*2)	mV
Supply Current		10	10	3	mA
Available Pressure Range	0 to +25 kPa	x	x	x	
	0 to +50 kPa	x	x	x	
	0 to +100 kPa	x	x	x	
	0 to +200 kPa	x	x	x	
	0 to +1000 kPa	-	x	x	
	-25 to 0 kPa	x	-	x	
	-100 to 0 kPa	x	x	x	
	-100 to +100 kPa	-	x	x	

Note:

- *1) The offset voltage, the full scale voltage and the span voltage of XFPN/XFGN are different from those of AP2/AG2. Therefore, your application could be required to change those setting in transition to AP2/AG2. If your application was difficult to change those setting, please consult Fujikura.
- *2) The output voltage of AP2 and AG2 pressure sensors have resolution, because the sensors have A/D and D/A converters for signal conditioning. If your applications do not accept the output resolution, please consult Fujikura.
- *3) Please carefully read the latest data sheet of AP2 and AG2 pressure sensor.

How to transit to AP2 or AG2 from XFPM/XFPN or XFGM/XFGN

Package dimensions and pin assignments of power supply and output of AP2 and AG2 are the same as those of XFPM and XFGM. Drop-in replacement from XFPM/XFPN (XFGM/XFGN) to AP2 (AG2) is available if you change related capacitors. Please refer to the specifications of AP2 and AG2.



Location of Capacitor	XFPM / XFPN, XFGM / XFGN	AP2, AG2
Pin 1 - 6	680 pF (C1)	No need
Pin 1 - 3	0.01 uF (C2)	0.1 uF (C)

V-9051A

Table 2: EOL Part number with replacement part number

No.	EOL Part Number	Suggested Replacement Part Number
1	XFPM-025KPG	AP20N-025KG
2	XFPM-050KPG	AP20N-050KG
3	XFPM-100KPG	AP20N-100KG
4	XFPM-200KPG	AP20N-200KG
5	XFPM-001MPG	AP20N-001MG
6	XFPM-100KPGV	AP20N-100KV
7	XFPM-100KPGW	AP20N-100KW
8	XFPM-025KPGR	AP20R-025KG
9	XFPM-050KPGR	AP20R-050KG
10	XFPM-100KPGR	AP20R-100KG
11	XFPM-200KPGR	AP20R-200KG
12	XFPM-001MPGR	AP20R-001MG
13	XFPM-100KPGVR	AP20R-100KV
14	XFPM-100KPGWR	AP20R-100KW
15	XFPN-025KPG	AP20N-025KG
16	XFPN-050KPG	AP20N-050KG
17	XFPN-100KPG	AP20N-100KG
18	XFPN-200KPG	AP20N-200KG
19	XFPN-03PGV	AP20N-025KV
20	XFPN-100KPGV	AP20N-100KV
21	XFPN-025KPGR	AP20R-025KG
22	XFPN-050KPGR	AP20R-050KG
23	XFPN-100KPGR	AP20R-100KG
24	XFPN-200KPGR	AP20R-200KG
25	XFPN-03PGVR	AP20R-025KV
26	XFPN-100KPGVR	AP20R-100KV
27	XFGM-6025KPGSR	AG206-025KG
28	XFGM-6050KPGSR	AG206-050KG
29	XFGM-6100KPGSR	AG206-100KG
30	XFGM-6200KPGSR	AG206-200KG
31	XFGM-6001MPGSR	AG206-001MG
32	XFGM-6100KPGVSR	AG206-100KV
33	XFGM-6100KPGWSR	AG206-100KW
34	XFGM-3025KPGSR	AG203-025KG
35	XFGM-3050KPGSR	AG203-050KG
36	XFGM-3100KPGSR	AG203-100KG
37	XFGM-3200KPGSR	AG203-200KG
38	XFGM-3001MPGSR	AG203-001MG
39	XFGM-3100KPGVSR	AG203-100KV
40	XFGM-3100KPGWSR	AG203-100KW
41	XFGN-6025KPGSR	AG206-025KG
42	XFGN-6050KPGSR	AG206-050KG
43	XFGN-6100KPGSR	AG206-100KG
44	XFGN-6200KPGSR	AG206-200KG
45	XFGN-603PGVSR	AG206-025KV
46	XFGN-6100KPGVSR	AG206-100KV

Headquarter Switzerland:
Angst+Pfister Sensors and Power AG

Thurgauerstrasse 66
CH-8050 Zurich
Phone +41 44 877 35 00
sensorsandpower@angst-pfister.com

Office Germany:
Angst+Pfister Sensors and Power
Deutschland GmbH
Edisonstraße 16
D-85716 Unterschleißheim
Phone +49 89 374 288 87 0
sensorsandpower.de@angst-pfister.com



We are here for you. Addresses and Contacts.

Sales Germany & Austria

Geometrical sensors
Other products

Kurt Stritzelberger
Phone +49 89 374 288 87 22
kurt.stritzelberger@angst-pfister.com

Pressure sensors
Other products

Gerhard Vetter
Phone +49 89 374 288 87 26
gerhard.vetter@angst-pfister.com

Gas sensors and modules

Peter Felder
Phone +41 44 877 35 05
peter.felder@angst-pfister.com

Sales Switzerland & Liechtenstein

Postcode 3000 – 9999

Basil Frei
Phone +41 44 877 35 18
basil.frei@angst-pfister.com

Postcode 1000 – 2999

Christian Mohrenstecher
Phone +41 76 444 57 93
christian.mohrenstecher@angst-pfister.com

Sales International Key Accounts

Peter Felder
Phone +41 44 877 35 05
peter.felder@angst-pfister.com

Sales Other Countries / Product Management

Pressure Sensors
Load Cells

Philipp Kistler
Phone +41 44 877 35 03
philipp.kistler@angst-pfister.com

Gas sensors
Gas sensor modules

Dr. Thomas Clausen
Phone +49 89 374 288 87 24
thomas.clausen@angst-pfister.com

Flow / Level / Medical products

Dr. Adriano Pittarelli
Phone +49 89 374 288 87 67
adriano.pittarelli@angst-pfister.com

Power supplies

Sebastiano Leggio
Phone +41 44 877 35 06
sebastiano.leggio@angst-pfister.com

Linear position sensors
Angle sensors

Eric Letsch
Phone +41 44 877 35 14
eric.letsch@angst-pfister.com

Accelerometers
Sensor elements

Christoph Kleye
Phone +49 89 374 288 87 61
christoph.kleye@angst-pfister.com

Drive technology
CH Postcode 5000 – 9999 / DE

Roman Homa
Phone +41 76 444 00 86
roman.homa@angst-pfister.com

Drive technology
CH Postcode 1000 – 4999 / AT / IT / FR

Christian Mohrenstecher
Phone +41 76 444 57 93
christian.mohrenstecher@angst-pfister.com

Harald Thomas
Phone +49 89 374 288 87 23
harald.thomas@angst-pfister.com