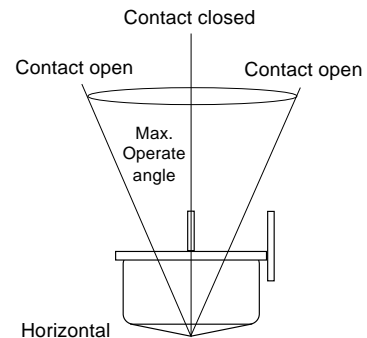
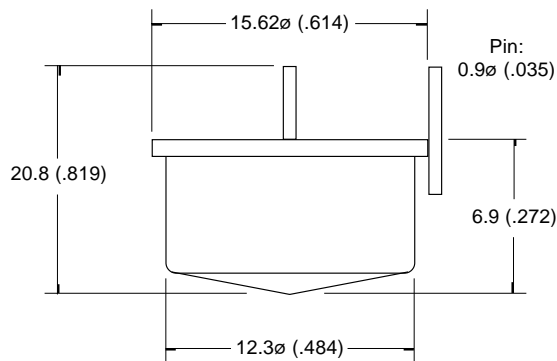


PRODUCT DATA SHEET



Tip-Over Switches operate when the switch is tilted from the vertical position. The angle through which the switch has to move before operating is called the operating angle. These switches are omni-directional.

Drawings not to scale
All dimensions in mm (inches) nominal

SPECIFICATION

CONTACT FORM/STYLE		Normally Closed
SWITCHING VOLTAGE	Max. Vac	240
SWITCHING CURRENT	Max. A	0.8A at 240 Vac / 1.5A at 120 Vac
SWITCHING CAPACITY	Max. VA	200
CONTACT RESISTANCE	Max. Ω	5
OPERATING ANGLE	Max. Deg $^{\circ}$	$2.0^{\circ} \pm 0.5^{\circ}$
OPERATING TEMPERATURE	Deg. $^{\circ}\text{C}$	$-37^{\circ} + 100^{\circ}$
STORAGE TEMPERATURE	Deg. $^{\circ}\text{C}$	$-40^{\circ} + 125^{\circ}$
CASE MATERIAL		Steel-tin plated
CABLE/TERMINATION		Pin
FEATURES		-

NOTE: When cutting or bending switch leads it is important that the glass seal is not damaged. The cutting or bending point should be no closer than 3mm (.118) to the glass to metal seal and the lead should be supported between the cutting or bending point and the glass to metal seal.

TIP-OVER SWITCH - Metal - Mercury Contacts

PART NUMBER
CM 1702-1

Rev. No.	Revision Note	Date	Signature
B	Web Site 2001	1-3-01	RG

As part of the company policy of continued product improvement, specifications may change without notice. Our sales office will be pleased to help you with the latest information on this product range and details of our full design and manufacturing service. All products are supplied to our standard conditions of sale otherwise agreed in writing.

©2001

We are here for you. Addresses and Contacts.

Headquarter Switzerland:

Angst+Pfister Sensors and Power AG
Thurgauerstrasse 66
CH-8050 Zurich
Phone +41 44 877 35 00
sensorsandpower@angst-pfister.com

Office Germany:

Angst+Pfister Sensors and Power Deutschland GmbH
Edisonstraße 16
D-85716 Unterschleißheim
Phone +49 89 374 288 87 00
sensorsandpower.de@angst-pfister.com

Scan here and get an overview of personal contacts!



sensorsandpower.angst-pfister.com
