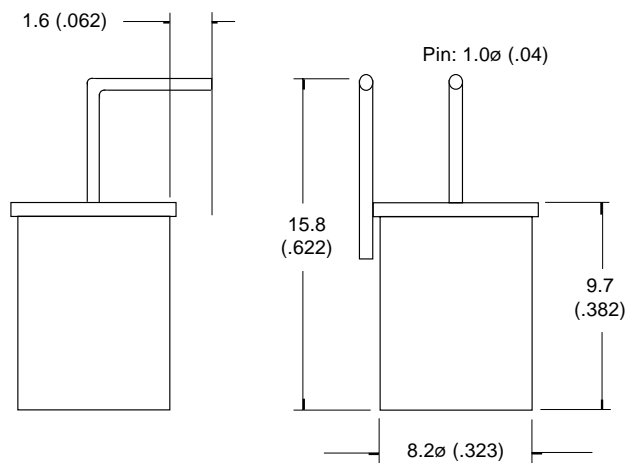
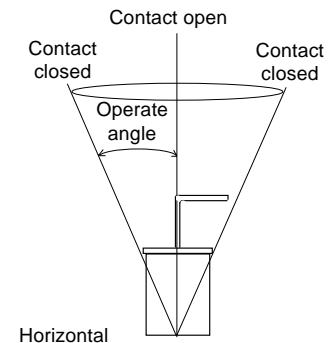


## PRODUCT DATA SHEET



Two electrodes formed 90° to mount on a vertical PCB

Drawings not to scale  
All dimensions in mm (inches) nominal



Tip-Over Switches operate when the switch is tilted from the vertical position. The angle through which the switch has to move before operating is called the operating angle. These switches are omni-directional.

## SPECIFICATION

CONTACT FORM/STYLE		Normally Open
SWITCHING VOLTAGE	Max. Vac RMS	240
SWITCHING CURRENT	Max. A	0.4A at 240 Vac / 1.0A at 120 Vac
SWITCHING CAPACITY	Max. VA	100
CONTACT RESISTANCE	Max. $\Omega$	3
OPERATING ANGLE	Max. Deg°	45° ± 10°
OPERATING TEMPERATURE	Deg. °C	-37° + 100°
STORAGE TEMPERATURE	Deg. °C	-40° + 125°
CASE MATERIAL		Steel-tin plated
CABLE/TERMINATION		Pin
FEATURES		90° Degree Pins

NOTE: When cutting or bending switch leads it is important that the glass seal is not damaged. The cutting or bending point should be no closer than 3mm (.118) to the glass to metal seal and the lead should be supported between the cutting or bending point and the glass to metal seal.

### TIP-OVER SWITCH - Metal - Mercury Contacts

PART NUMBER  
**CM 1445-5**

Rev. No.	Revision Note	Date	Signature
B	Web Site 2001	1-3-01	RG

As part of the company policy of continued product improvement, specifications may change without notice. Our sales office will be pleased to help you with the latest information on this product range and details of our full design and manufacturing service. All products are supplied to our standard conditions of sale otherwise agreed in writing.

©2001

## We are here for you. Addresses and Contacts.

---

### Headquarter Switzerland:

Angst+Pfister Sensors and Power AG  
Thurgauerstrasse 66  
CH-8050 Zurich  
Phone +41 44 877 35 00  
[sensorsandpower@angst-pfister.com](mailto:sensorsandpower@angst-pfister.com)

### Office Germany:

Angst+Pfister Sensors and Power Deutschland GmbH  
Edisonstraße 16  
D-85716 Unterschleißheim  
Phone +49 89 374 288 87 00  
[sensorsandpower.de@angst-pfister.com](mailto:sensorsandpower.de@angst-pfister.com)

---

Scan here and get an overview of personal contacts!



[sensorsandpower.angst-pfister.com](http://sensorsandpower.angst-pfister.com)

---