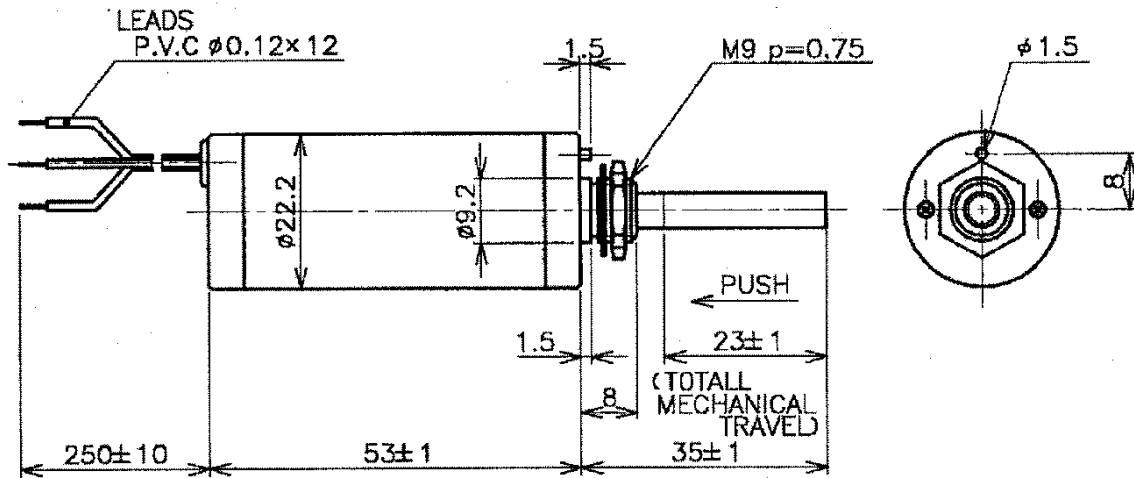
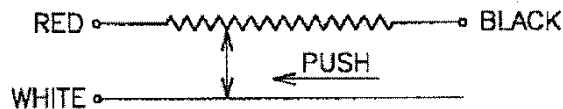


DRAWING FOR APPROVAL	SPEC. NO.
MODEL: LP-20F-6	



SCHEMATIC



SPECIFICATIONS

ELECTRICAL TRAVEL	:	20mm
TOTAL RESISTANCE	:	0.2, 0.5, 1, 2k Ω $\pm 20\%$
INDEPENDENT LINEARITY	:	$\pm 1\%$
POWER RATING	:	0.6W / 70 $^{\circ}$ C
INSULATION RESISTANCE	:	100M Ω Min DC500V
DIELECTRIC STRENGTH	:	AC500V 1 minute
TEMPERATURE COEFFICIENT OF RESISTANCE	:	± 400 ppm/ $^{\circ}$ C
OUTPUT SMOOTHNESS	:	0.1% Max.
TOTAL MECHANICAL TRAVEL	:	23 ± 1mm
RETURN SPRING FORCE	:	450 × 10 ⁻² N (450g Φ) Max.

⚠	MAY 9, '97	LEAD WIRE LENGTH WAS 150	M. Tojo	Y. N.
REV	DATE	DESCRIPTION	DRAWN	CHKD
APPROVED		TOLERANCE	DATE	OCT 22, '85
CHECKED	I.SOMA	≤ 10 ± 0.25	SCALE	1/1
DRAWN	K.TERASIMA	10 < ≤ 100 ± 0.5	DRAWING PRACTICE	⊕ - ▽
		100 < ± 1.0		
		ANGLE $\pm 1.5^{\circ}$		
MIDORI PRECISIONS CO., LTD.			DRAWING NO.	
			B-MPC-B13	

We are here for you. Addresses and Contacts.

Headquarter Switzerland:

Angst+Pfister Sensors and Power AG
Thurgauerstrasse 66
CH-8050 Zurich
Phone +41 44 877 35 00
sensorsandpower@angst-pfister.com

Office Germany:

Angst+Pfister Sensors and Power Deutschland GmbH
Edisonstraße 16
D-85716 Unterschleißheim
Phone +49 89 374 288 87 00
sensorsandpower.de@angst-pfister.com

Scan here and get an overview of personal contacts!



sensorsandpower.angst-pfister.com
