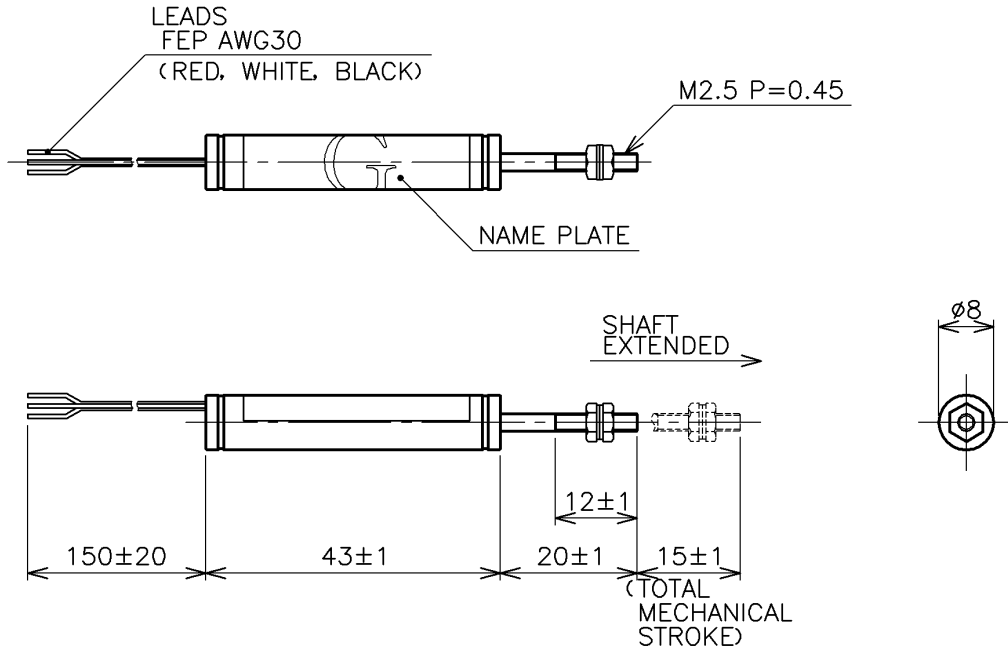


SPECIFICATION DRAWING		CUSTOMER/SPEC. NO.	PAGE
MODEL:	LP-10FQJ		1/1

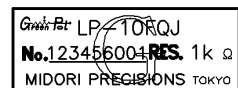
THIS PRODUCT COMPLIES WITH RoHS DIRECTIVE.



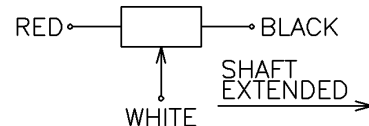
SPECIFICATIONS

- ELECTRICAL STROKE : 10±0.5mm
- TOTAL RESISTANCE : 1kΩ ±20%
- INDEPENDENT LINEARITY : ±1%
- OUTPUT SMOOTHNESS : Δ0.3% MAX.
- INSULATION RESISTANCE : 100MΩ MIN. DC500V
- DIELECTRIC STRENGTH : AC500V 1MINUTE
- TEMPERATURE COEFFICIENT OF RESISTANCE : ±400ppm/K
- TOTAL MECHANICAL STROKE : 15±1mm
- FRICTION : 0.3N MAX.
- MASS : APPROX. 10g

NAME PLATE



SCHEMATIC



• RED, WHITE AND BLACK INDICATE LEAD COLORS

△	1.25.2011	THIS NEW DRAWING IS REVISED TO CHANGED 1 ITEM.	M. Kamibi	M. Kamibi	K.YOSHINO Y.YOSHIZAMA
REV	DATE	DESCRIPTION	APPROVED	CHECKED	DRAWN
APPROVED	11.13.2006	H.YONEMOCHI	DATE 11.11.2006		MIDORI PRECISIONS CO., LTD.
CHECKED	11.13.2006	H.YONEMOCHI	SCALE 1 : 1		
DRAWN	11.11.2006	K.YOSHINO	DRAWING PRACTICE		
		TOLERANCE			DRAWING NO.
		≤ 10 ±0.25			REV.
		10 < ≤ 100 ±0.5			B-MPE-B47
		100 < ±1.0			1
		ANGLE ±1.5°			

A4

We are here for you. Addresses and Contacts.

Headquarter Switzerland:

Angst+Pfister Sensors and Power AG
Thurgauerstrasse 66
CH-8050 Zurich
Phone +41 44 877 35 00
sensorsandpower@angst-pfister.com

Office Germany:

Angst+Pfister Sensors and Power Deutschland GmbH
Edisonstraße 16
D-85716 Unterschleißheim
Phone +49 89 374 288 87 00
sensorsandpower.de@angst-pfister.com

Scan here and get an overview of personal contacts!



sensorsandpower.angst-pfister.com
