

PEI-S103-1- 0.6 Inclinator

- Safety control of bridges and buildings, static stability
- Very high sensitivity and resolution
- Analogue or digital outputs
- IP67 covering

Single axis. High precision and stability •

Digital signal processing and filtering •

Robust duralumin case •

Specification

Measuring range (F.R.) $\pm 0,3^{\circ}(0.6^{\circ})$
 Nonlinearity in F.R.* max 0,005°
 Resolution in F.R.* min 0,0002°
 Sensitivity in F.R.* min 0,0002°
 Hysteresis in F.R.* max 0,0002°
 Response time* ~ 1 s
 Cross-axis sensitivity* max 1% up to F.R.
 Temperature stability -20~50°C max. 400 ppm/°C
 Operating temperature -20~60°C
 Storage temperature -40~80°C
 Available outputs 0-5V or RS232 or RS485
 Protection IP67
 Power supply voltage 7~28 VDC
 Power consumption (with voltage output) ~ 7 mA
 Input Axis Misalignment** max 1% from F.R.
 Weight (without cable) max. 200 g.

* measured on 20°C
 ** Relative to the base of the inclinometer

Order information

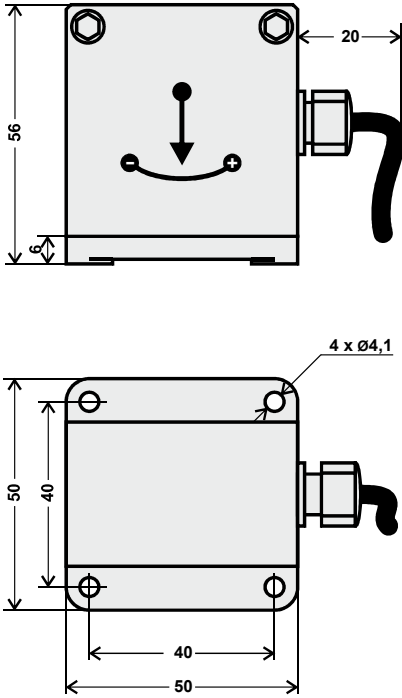
PEI-S103-1-0.6-X-X

Full range of tilt measuring (F.R.)

Output	
U	0~5V
RS232	RS232
RS485	RS485

Cable connection	
1	Connection with cable gland (option 1)
2	Connection with cable connector (option 2)

Dimension

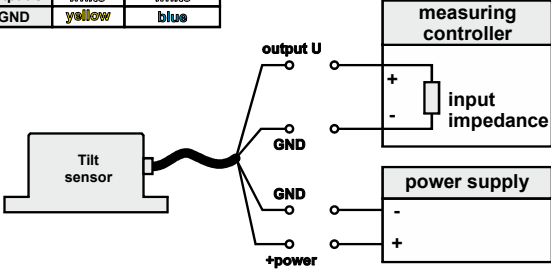


Front view dimensions: height 56, width 20, mounting hole diameter 4 x Ø4,1.

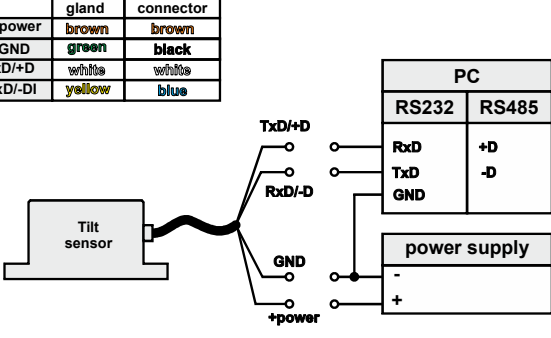
Side view dimensions: total height 50, mounting hole offset 40, total width 50, mounting hole diameter 4 x Ø4,1.

Connection circuit

	gland	connector
+ power	brown	brown
GND	green	black
output U	white	white
GND	yellow	blue



	gland	connector
+ power	brown	brown
GND	green	black
TxD/+D	white	white
RxD/-DI	yellow	blue



We are here for you. Addresses and Contacts.

Headquarter Switzerland:

Angst+Pfister Sensors and Power AG
Thurgauerstrasse 66
CH-8050 Zurich
Phone +41 44 877 35 00
sensorsandpower@angst-pfister.com

Office Germany:

Angst+Pfister Sensors and Power Deutschland GmbH
Edisonstraße 16
D-85716 Unterschleißheim
Phone +49 89 374 288 87 00
sensorsandpower.de@angst-pfister.com

Scan here and get an overview of personal contacts!



sensorsandpower.angst-pfister.com
