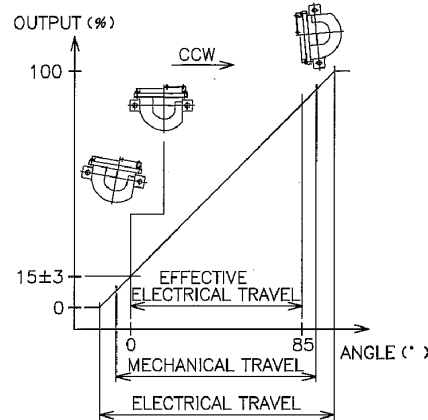
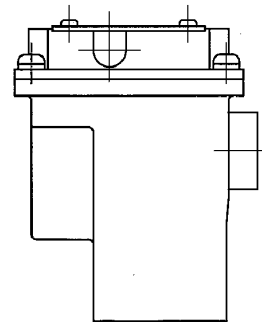
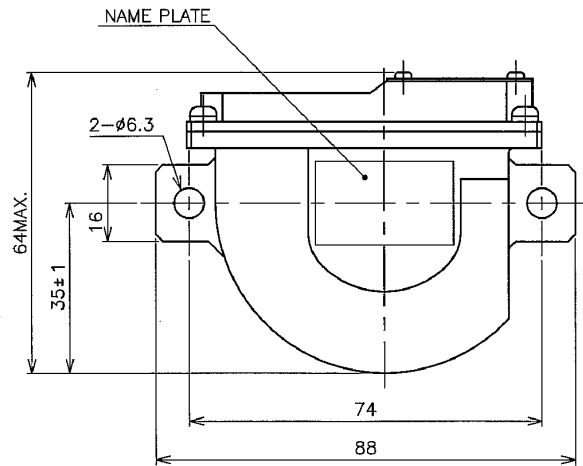


OUTPUT RATIO CHARACTERISTIC

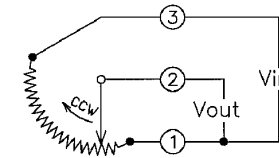


SPECIFICATIONS

- MECHANICAL TRAVEL : 105° MIN.
- LINEARITY : ±1%  
(INCLUDING HYSTERESIS, VIBRATING ON MEASUREMENT)
- ELECTRICAL TRAVEL : 120°±1.5°
- EFFECTIVE ELECTRICAL TRAVEL : 85°
- TOTAL RESISTANCE : 500Ω ±20%
- OUTPUT RATIO AT 0° : 15±3%
- INSULATION RESISTANCE : 200MΩ MIN. AT DC 500V
- OPERATING TEMP. : -30~80℃
- STORAGE TEMP. : -40~80℃
- VIBRATION : 49m/s<sup>2</sup> 33Hz (X,Y,Z AXIS : 2h)
- SHOCK : 200m/s<sup>2</sup> (X,Y,Z AXIS : 3 TIMES IN BOTH DIRECTIONS)
- WATER PROOF : IP 67 (EXCEPT TERMINAL)



SCHEMATIC



REV	DATE	DESCRIPTION	DRAWN	CHKD
7.23.'01		THIS NEW DRAWING IS REVISED TO MANY CHANGE ITEM.	M. Tojo A-K	M. Namiki

DRAWING FOR APPROVAL			SPEC. NO.
MODEL: 7402POT			PEWATRON
APPROVED	TOLERANCE	DATE	MIDORI PRECISIONS CO., LTD.
CHECKED Y.NAKAMURA	±10 ±0.25	10.31.'91	
DRAWN Y.MIZUOKA	10 < ±100 ±0.5	SCALE 1/1	
	100 < ±1.0	DRAWING PRACTICE	DRAWING NO. A-MPD-B69
	ANGLE ±1.5°		

Headquarter Switzerland:  
Angst+Pfister Sensors and Power AG  
Thurgauerstrasse 66  
CH-8050 Zurich  
Phone +41 44 877 35 00  
sensorsandpower@angst-pfister.com

Office Germany:  
Angst+Pfister Sensors and Power Deutschland GmbH  
Edisonstraße 16  
D-85716 Unterschleißheim  
Phone +49 89 374 288 87 0  
sensorsandpower.de@angst-pfister.com



## We are here for you. Addresses and Contacts.

### Sales Germany & Austria

Geometrical sensors  
Other products

Kurt Stritzelberger  
Phone +49 89 374 288 87 22  
kurt.stritzelberger@angst-pfister.com

Pressure sensors  
Other products

Gerhard Vetter  
Phone +49 89 374 288 87 26  
gerhard.vetter@angst-pfister.com

Gas sensors and modules

Peter Felder  
Phone +41 44 877 35 05  
peter.felder@angst-pfister.com

### Sales Switzerland & Liechtenstein

Postcode 3000 – 9999

Basil Frei  
Phone +41 44 877 35 18  
basil.frei@angst-pfister.com

Postcode 1000 – 2999

Christian Mohrenstecher  
Phone +41 76 444 57 93  
christian.mohrenstecher@angst-pfister.com

### Sales International Key Accounts

Peter Felder  
Phone +41 44 877 35 05  
peter.felder@angst-pfister.com

### Sales Other Countries / Product Management

Pressure Sensors  
Load Cells

Philipp Kistler  
Phone +41 44 877 35 03  
philipp.kistler@angst-pfister.com

Gas sensors  
Gas sensor modules

Dr. Thomas Clausen  
Phone +49 89 374 288 87 24  
thomas.clausen@angst-pfister.com

Flow / Level / Medical products

Dr. Adriano Pittarelli  
Phone +49 89 374 288 87 67  
adriano.pittarelli@angst-pfister.com

Power supplies

Sebastiano Leggio  
Phone +41 44 877 35 06  
sebastiano.leggio@angst-pfister.com

Linear position sensors  
Angle sensors

Eric Letsch  
Phone +41 44 877 35 14  
eric.letsch@angst-pfister.com

Drive technology  
CH Postcode 5000 – 9999 / DE

Roman Homa  
Phone +41 76 444 00 86  
roman.homa@angst-pfister.com

Drive technology  
CH Postcode 1000 – 4999 / AT / IT / FR

Christian Mohrenstecher  
Phone +41 76 444 57 93  
christian.mohrenstecher@angst-pfister.com

Accelerometers  
Sensor elements

Christoph Kleye  
Phone +49 89 374 288 87 61  
christoph.kleye@angst-pfister.com

Harald Thomas  
Phone +49 89 374 288 87 23  
harald.thomas@angst-pfister.com

**Experts on Design-In**  
for sensors and power solutions