

# E5 Assembly Instructions

## Step 1:

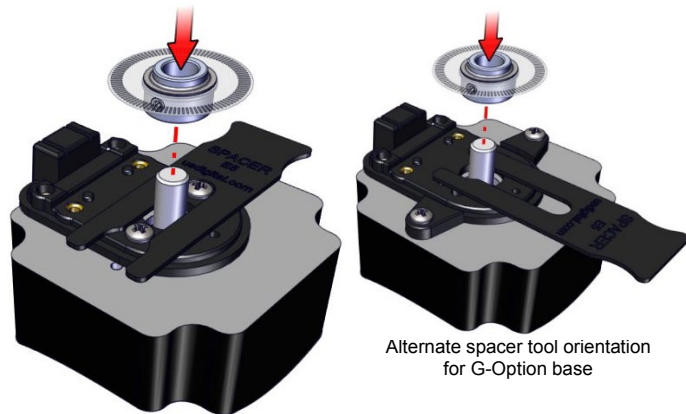
Place encoder base onto mounting surface. Slip centering tool over the shaft and into the center hole of the base. While holding pressure on the centering tool, tighten mounting screws. Remove centering tool.



## Step 2:

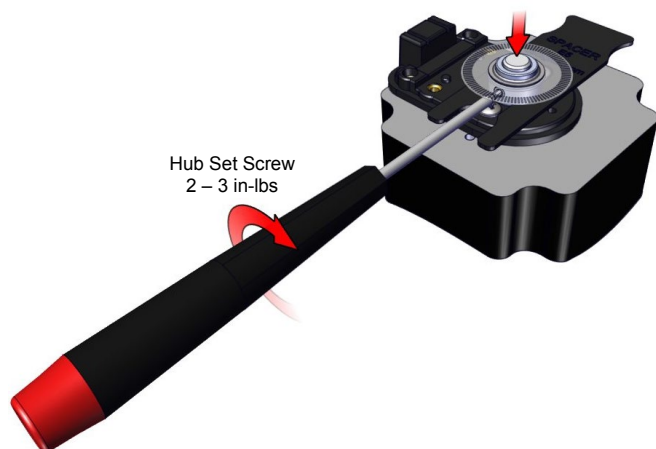
Place spacer tool around shaft. Slip hubdisk assembly onto shaft and slide down until it bottoms out against spacer tool.

**Note:** Alternate spacer orientations may be required depending on base/mounting configuration.



## Step 3:

Tighten set screw with provided hex wrench while pressing down on hub. Remove spacer tool.



# E5 Assembly Instructions

## Step 4:

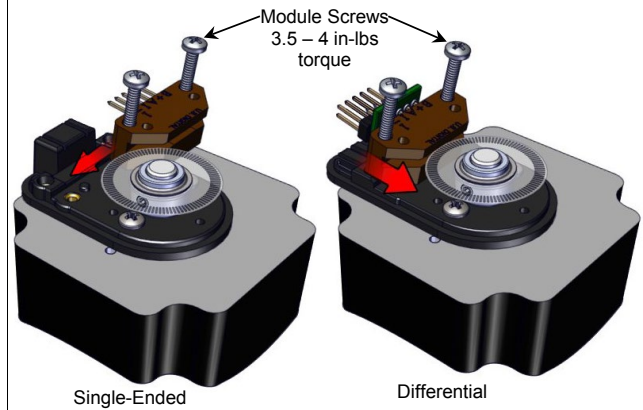
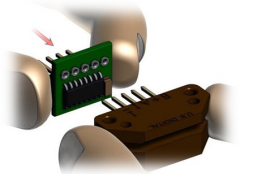
Slip optical module into position until the two alignment pins slip into holes of module (thick side of module towards bottom). Secure with two 4-40 x 1/2" screws (supplied).

### Differential version only:

Press line driver onto module pins until it reaches the end of its motion.

### Caution!

To avoid injury make sure that the line driver is held properly (as shown) during installation, module pins are sharp!

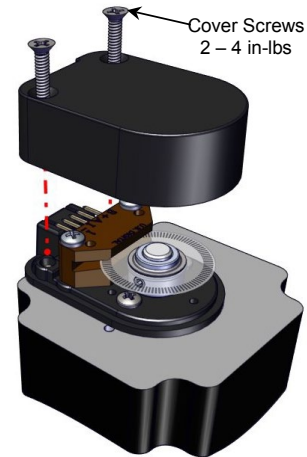


Single-Ended

Differential

## Step 5:

Place cover over assembly and secure with two 4-40 x 5/8" flat head screws (supplied).



Headquarter Switzerland:  
Angst+Pfister Sensors and Power AG

Thurgauerstrasse 66  
CH-8050 Zurich  
Phone +41 44 877 35 00  
sensorsandpower@angst-pfister.com

Office Germany:  
Angst+Pfister Sensors and Power  
Deutschland GmbH  
Edisonstraße 16  
D-85716 Unterschleißheim  
Phone +49 89 374 288 87 0  
sensorsandpower.de@angst-pfister.com



## We are here for you. Addresses and Contacts.

### Sales Germany & Austria

Geometrical sensors  
Other products

Kurt Stritzelberger  
Phone +49 89 374 288 87 22  
kurt.stritzelberger@angst-pfister.com

Pressure sensors  
Other products

Gerhard Vetter  
Phone +49 89 374 288 87 26  
gerhard.vetter@angst-pfister.com

Gas sensors and modules

Peter Felder  
Phone +41 44 877 35 05  
peter.felder@angst-pfister.com

### Sales Switzerland & Liechtenstein

Postcode 3000 – 9999

Basil Frei  
Phone +41 44 877 35 18  
basil.frei@angst-pfister.com

Postcode 1000 – 2999

Christian Mohrenstecher  
Phone +41 76 444 57 93  
christian.mohrenstecher@angst-pfister.com

### Sales International Key Accounts

Peter Felder  
Phone +41 44 877 35 05  
peter.felder@angst-pfister.com

### Sales Other Countries / Product Management

Pressure Sensors  
Load Cells

Philipp Kistler  
Phone +41 44 877 35 03  
philipp.kistler@angst-pfister.com

Gas sensors  
Gas sensor modules

Dr. Thomas Clausen  
Phone +49 89 374 288 87 24  
thomas.clausen@angst-pfister.com

Flow / Level / Medical products

Dr. Adriano Pittarelli  
Phone +49 89 374 288 87 67  
adriano.pittarelli@angst-pfister.com

Power supplies

Sebastiano Leggio  
Phone +41 44 877 35 06  
sebastiano.leggio@angst-pfister.com

Linear position sensors  
Angle sensors

Eric Letsch  
Phone +41 44 877 35 14  
eric.letsch@angst-pfister.com

Accelerometers  
Sensor elements

Christoph Kleye  
Phone +49 89 374 288 87 61  
christoph.kleye@angst-pfister.com

Drive technology  
CH Postcode 5000 – 9999 / DE

Roman Homa  
Phone +41 76 444 00 86  
roman.homa@angst-pfister.com

Drive technology  
CH Postcode 1000 – 4999 / AT / IT / FR

Christian Mohrenstecher  
Phone +41 76 444 57 93  
christian.mohrenstecher@angst-pfister.com

Harald Thomas  
Phone +49 89 374 288 87 23  
harald.thomas@angst-pfister.com