



E16 Micro Optical Kit Encoder

E16 Features

- Push-on hub - spring loaded collet design
- Fits shaft diameters of 1.5mm (0.059 inches) and 2mm (0.079 inches)
- 250/256 to 4,000/4096 cycles per revolution (CPR)
- 1,000/1024 to 16000/16384 pulses per revolution (PPR)
- Single +5V supply



E16 Product Description

The E16 16mm micro optical encoder is designed to provide A, B and Index digital quadrature signals for high volume, restricted space applications. The E16 utilizes an innovative, push-on encoder disk which accepts shaft diameters of 1.5mm and 2mm.



The E16 is designed to be a one-time installation micro optical encoder, the base provides mounting holes for two M1.6-0.35, length 3mm screws on a 10mm bolt circle. The encoder cover is easily snapped onto the base and is marked with the connector pin-out.

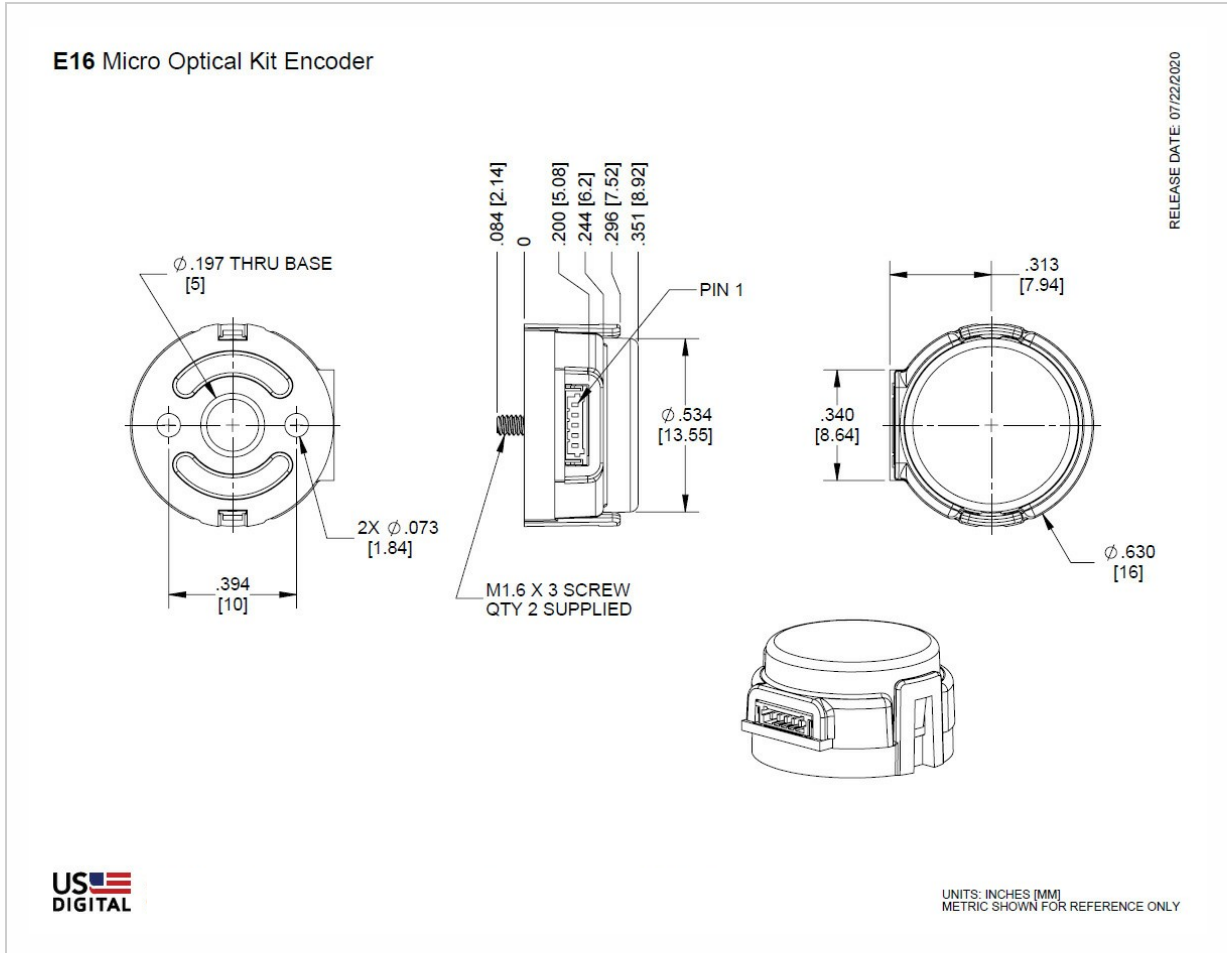
The E16 series encoder is connected using a 5-conductor, polarized, 0.8mm pitch connector (Hirose part number DF52-5P-0.8C). Mating cable (see the Cables web page) is not included and is available separately.

Please Note: Due to the E16's design, it is recommended for use as a one-time installation.



E16 Micro Optical Kit Encoder

Mechanical Drawings



Specifications

ENVIRONMENTAL

PARAMETER	VALUE	UNITS
Operating Temperature	-40 to 100	C
Electrostatic Discharge, IEC 61000-4-2	±12	kV
Shock, 6 millisecond, half-sine	75	G
Vibration (20Hz to 2kHz, sinusoidal)	20	G





E16 Micro Optical Kit Encoder

MECHANICAL

PARAMETER	VALUE	UNITS
Max. Shaft Axial Play	±0.010	in.
Max. Shaft Runout	0.002 T.I.R.	in.
Max. Acceleration	250000	rad/sec ²
Maximum RPM, CPR = 250	48000	RPM
Maximum RPM, CPR = 256	46875	RPM
Maximum RPM, CPR = 4000	27750	RPM
Maximum RPM, CPR = 4096	27099	RPM
Codewheel Moment of Inertia	2.8×10^{-7}	oz-in-s ²
Mounting Screw Size Default (D-option base)	M1.6 x 3	mm
Screw Bolt Circle Diameter	10 ±0.13	mm
Minimum Shaft Length (1)	6	mm
Maximum Shaft Length (1)	7.75	mm
Mounting Screw Torque	1-2	in-lbs
Technical Bulletin TB1001 - Shaft and Bore Tolerances	Download (https://www.usdigital.com/media/yvzb4qsy/tb_1001.pdf)	

(1) Including axial play.



E16 Micro Optical Kit Encoder

ELECTRICAL

PARAMETER	MIN.	TYP.	MAX.	UNITS	NOTES
Supply Voltage	4.5	5.0	5.5	V	
Supply Current		18	26	mA	no load
Low-level Output			0.4	V	$I_{OL} = 4 \text{ mA}$, $V_{CC} = 5V$
		0.1		V	no load
High-level Output	4.7			V	$I_{OH} = 4 \text{ mA}$, $V_{CC} = 5V$
		4.9		V	no load
Output Rise Time		80	135	ns	no load
Output Fall Time		80	135	ns	no load
Maximum RPM					
250/256 CPR	0.2			MHz	
500/512 CPR	0.4			MHz	
1,000/1,024 CPR	0.8			MHz	
2,000/2,048 CPR	1.6			MHz	
4,000/4,096 CPR	1.85			MHz	

PHASE RELATIONSHIP

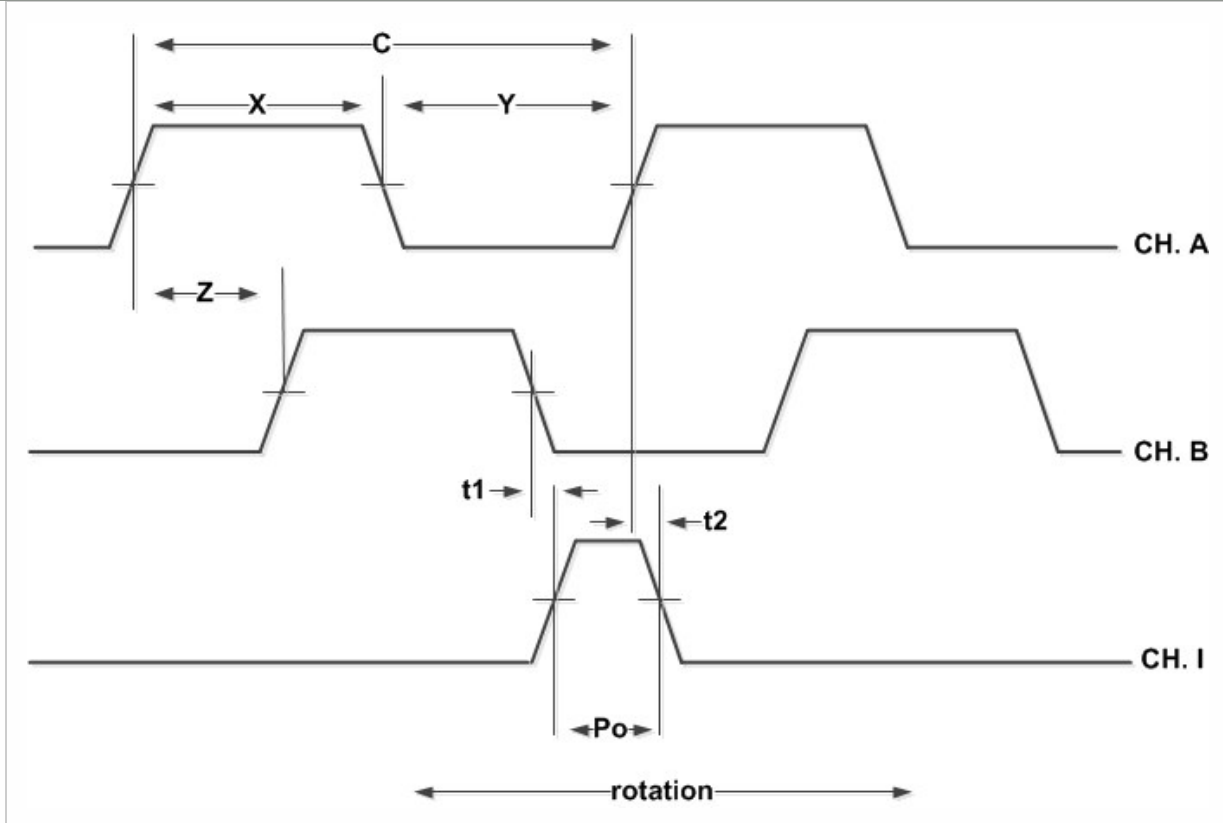
- Specifications apply over entire operating temperature range.
- Values are for the worst error over full rotation.
- Refer to timing diagram below.

PARAMETER	SYMBOL	MIN.	TYP.	MAX.	UNITS
Symmetry	X, Y	150	180	210	$^{\circ}e$ (https://www.usdigital.com/support/resources/glossary/#listing-e#)
Quadrature	Z	60	90	120	$^{\circ}e$ (https://www.usdigital.com/support/glossary/#listing-e#)
Index Pulse Width	Po	60	90	120	$^{\circ}e$ (https://www.usdigital.com/support/glossary/#listing-e#)
Ch. I Rise After Ch. B or Ch. A Fall	t1		10		ns
Ch. I Fall After Ch. B or Ch. A Rise	t2		10		ns

TIMING DIAGRAM



E16 Micro Optical Kit Encoder



CPR

The number of Cycles (C) of the A or B outputs Per Revolution.

Index (I)

The index output goes high once per revolution, coincident with the low states of channels A and B, nominally 1/4 of one cycle (90°e).

One Shaft Rotation

360 mechanical degrees.

One Electrical Degree (°e)

1/360th of one cycle.

One Cycle (C)

360 electrical degrees (°e). Each cycle can be decoded into 1, 2, or 4 states, referred to as x1, x2, or x4 resolution multiplication.

PPR

The number of resolvable Positions Per Revolution of the encoder disk with x4 quadrature decoding.

Quadrature (Z)

The phase lag or lead between channels A and B in electrical degrees, nominally 90°e.

Symmetry

A measure of the relationship between (X) and (Y) in electrical degrees, nominally 180°e.



E16 Micro Optical Kit Encoder

PIN-OUT

PIN	DESCRIPTION
1	Ground
2	Index
3	A channel
4	+5VDC power
5	B channel

ACCESSORIES

1. CENTERING TOOL*

Part #: CTOOL-E16-(Shaft Diameter)

Description: This reusable tool is used to accurately center the **E16** base on the shaft.

2. SPACER TOOL*

Part #: SPACER-E16

Description: This reusable tool is used to properly space the codewheel from the encoder.

*Both the CTOOL and SPACER-E16 tools are included with all packaging options.

3. SCREWS

Part #: SCREW-M16-3MM-PH

Description: Pan Head, Philips M1.6-0.35, length 3mm.

Use: Base Mounting

Quantity Required: 2

Screws are included



E16 Micro Optical Kit Encoder

ORDERING INFORMATION

E16	-	-	-	-	-	-	-
	CPR	Bore	Output	Cover	Base	Packaging	
	250	1.5 mm (059)	Single	Default (D)	Default (D)	Encoder components packaged in bulk. One spacer and one centering tool per 100 encoders. (B)	
	256	2 mm (079)	Ended (S)				
	500						
	512						
	1000						
	1024						
	2000					Each encoder packaged individually. One spacer tool and one centering tool per 100 encoders. (1)	
	2048						
	4000						
	4096					Each encoder packaged individually. One spacer and one centering tool per encoder. (2)	

Notes

- Cables and connectors are not included and must be ordered separately.
- US Digital® warrants its products against defects in materials and workmanship for two years. See complete warranty (<https://www.usdigital.com/company/warranty>) for details.

Headquarter Switzerland:
Angst+Pfister Sensors and Power AG

Thurgauerstrasse 66
CH-8050 Zurich
Phone +41 44 877 35 00
sensorsandpower@angst-pfister.com

Office Germany:
Angst+Pfister Sensors and Power
Deutschland GmbH
Edisonstraße 16
D-85716 Unterschleißheim
Phone +49 89 374 288 87 0
sensorsandpower.de@angst-pfister.com



We are here for you. Addresses and Contacts.

Sales Germany & Austria

Geometrical sensors
Other products

Kurt Stritzelberger
Phone +49 89 374 288 87 22
kurt.stritzelberger@angst-pfister.com

Pressure sensors
Other products

Gerhard Vetter
Phone +49 89 374 288 87 26
gerhard.vetter@angst-pfister.com

Gas sensors and modules

Peter Felder
Phone +41 44 877 35 05
peter.felder@angst-pfister.com

Sales Switzerland & Liechtenstein

Postcode 3000 – 9999

Basil Frei
Phone +41 44 877 35 18
basil.frei@angst-pfister.com

Postcode 1000 – 2999

Christian Mohrenstecher
Phone +41 76 444 57 93
christian.mohrenstecher@angst-pfister.com

Sales International Key Accounts

Peter Felder
Phone +41 44 877 35 05
peter.felder@angst-pfister.com

Sales Other Countries / Product Management

Pressure Sensors
Load Cells

Philipp Kistler
Phone +41 44 877 35 03
philipp.kistler@angst-pfister.com

Gas sensors
Gas sensor modules

Dr. Thomas Clausen
Phone +49 89 374 288 87 24
thomas.clausen@angst-pfister.com

Flow / Level / Medical products

Dr. Adriano Pittarelli
Phone +49 89 374 288 87 67
adriano.pittarelli@angst-pfister.com

Power supplies

Sebastiano Leggio
Phone +41 44 877 35 06
sebastiano.leggio@angst-pfister.com

Linear position sensors
Angle sensors

Eric Letsch
Phone +41 44 877 35 14
eric.letsch@angst-pfister.com

Accelerometers
Sensor elements

Christoph Kleye
Phone +49 89 374 288 87 61
christoph.kleye@angst-pfister.com

Drive technology
CH Postcode 5000 – 9999 / DE

Roman Homa
Phone +41 76 444 00 86
roman.homa@angst-pfister.com

Drive technology
CH Postcode 1000 – 4999 / AT / IT / FR

Christian Mohrenstecher
Phone +41 76 444 57 93
christian.mohrenstecher@angst-pfister.com

Harald Thomas
Phone +49 89 374 288 87 23
harald.thomas@angst-pfister.com