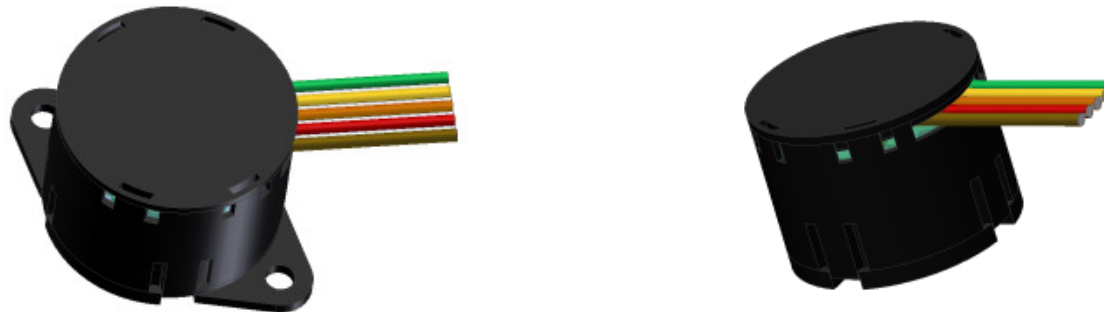


Optical Incremental Miniature Kit encoder 18M series

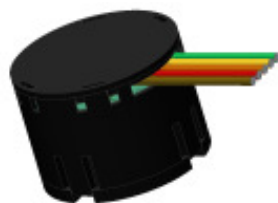


2011.09.12

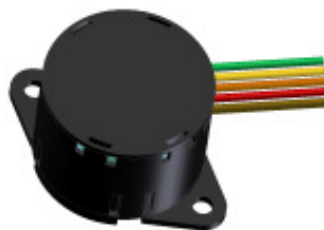
New 18M series

◆ Features

- Quick and Easy Assembly
- High resolution up to 1600ppr
- Miniature size with out diameter 18mm and overall height 13mm



< Mounting pitch 12mm, 13mm >

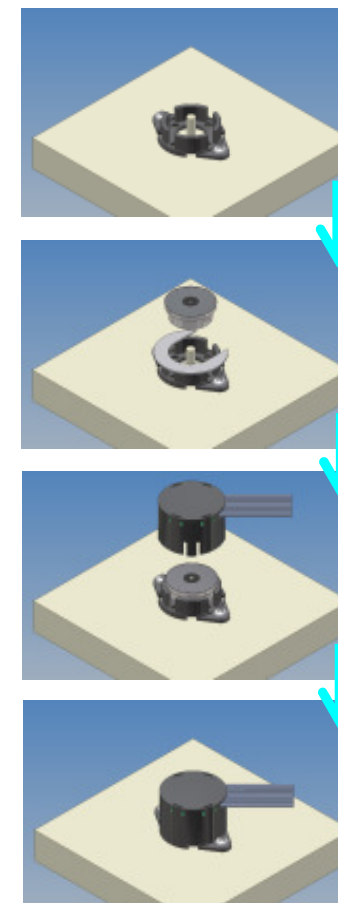


< Mounting pitch 22mm >

◆ Advantages of New 18M series

- The reduction of number of components from 4pcs to 3pcs
= Reducing the assembly time.
- Various mounting pitch : 12mm, 13mm, 22mm
- Available motor shaft : up to 6mm

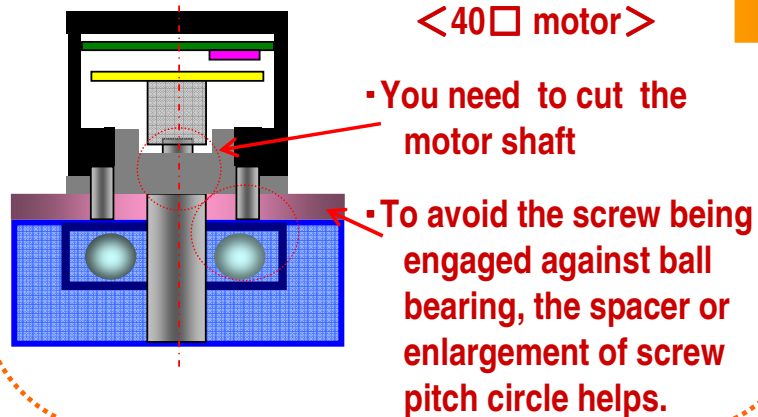
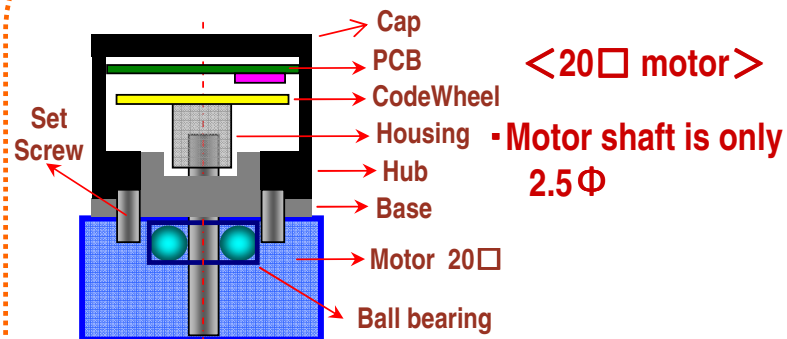
Easy Assembly



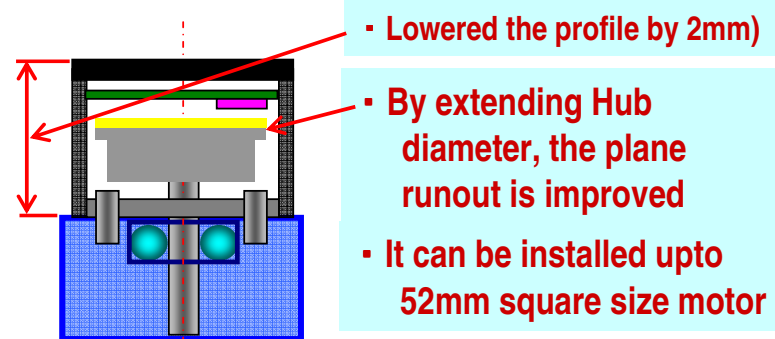
Assembly Sequence (image)

Advantages of New 18M series

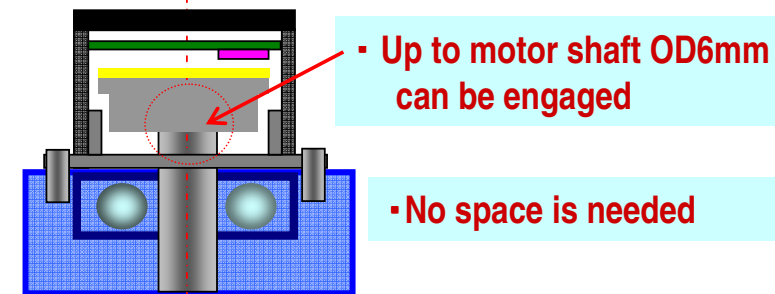
< Existing Version >



< New Version >

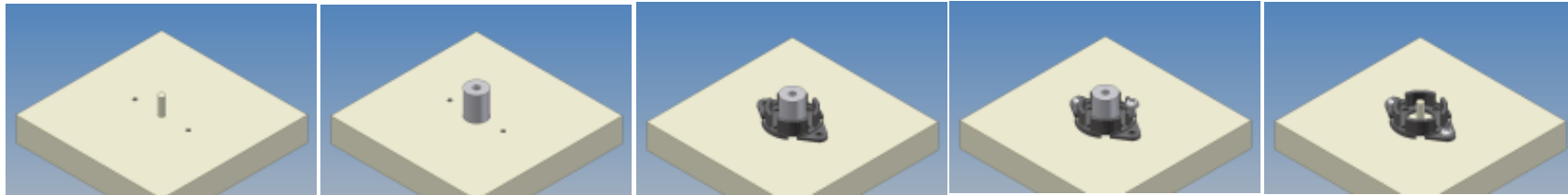


< Mounting pitch 12mm, 13mm >

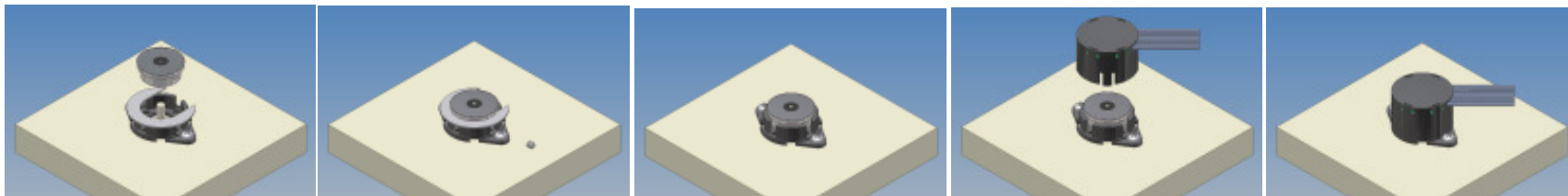


< Mounting pitch 22mm >

Assembly instructions (Flat mount)



1. Target motor and shaft (Refer to spec. sheet)
2. Place the jig on the motor shaft for centering of the base plate to the motor shaft
3. Place the base plate on the motor
4. Fasten the base plate on the motor with M2 × 3 screws
5. Remove the jig



6. Place the spacer jig on the base plate, and slide from the top code wheel assembly
7. Do not remove the spacer jig yet. Fasten the code wheel assembly with M2 set screw (The recommended torque ; 0.2N·m+25%)
8. Remove the spacer jig by sliding from the side
9. Slide the cap fully from the top
10. Completed

Headquarter Switzerland:
Angst+Pfister Sensors and Power AG
Thurgauerstrasse 66
CH-8050 Zurich
Phone +41 44 877 35 00
sensorsandpower@angst-pfister.com

Office Germany:
Angst+Pfister Sensors and Power Deutschland GmbH
Edisonstraße 16
D-85716 Unterschleißheim
Phone +49 89 374 288 87 0
sensorsandpower.de@angst-pfister.com



We are here for you. Addresses and Contacts.

Sales Germany & Austria

Geometrical sensors
Other products

Kurt Stritzelberger
Phone +49 89 374 288 87 22
kurt.stritzelberger@angst-pfister.com

Pressure sensors
Other products

Gerhard Vetter
Phone +49 89 374 288 87 26
gerhard.vetter@angst-pfister.com

Gas sensors and modules

Peter Felder
Phone +41 44 877 35 05
peter.felder@angst-pfister.com

Sales Switzerland & Liechtenstein

Postcode 3000 – 9999

Basil Frei
Phone +41 44 877 35 18
basil.frei@angst-pfister.com

Postcode 1000 – 2999

Christian Mohrenstecher
Phone +41 76 444 57 93
christian.mohrenstecher@angst-pfister.com

Sales International Key Accounts

Peter Felder
Phone +41 44 877 35 05
peter.felder@angst-pfister.com

Sales Other Countries / Product Management

Pressure Sensors
Load Cells

Philipp Kistler
Phone +41 44 877 35 03
philipp.kistler@angst-pfister.com

Gas sensors
Gas sensor modules

Dr. Thomas Clausen
Phone +49 89 374 288 87 24
thomas.clausen@angst-pfister.com

Flow / Level / Medical products

Dr. Adriano Pittarelli
Phone +49 89 374 288 87 67
adriano.pittarelli@angst-pfister.com

Power supplies

Sebastiano Leggio
Phone +41 44 877 35 06
sebastiano.leggio@angst-pfister.com

Linear position sensors
Angle sensors

Eric Letsch
Phone +41 44 877 35 14
eric.letsch@angst-pfister.com

Drive technology
CH Postcode 5000 – 9999 / DE

Roman Homa
Phone +41 76 444 00 86
roman.homa@angst-pfister.com

Drive technology
CH Postcode 1000 – 4999 / AT / IT / FR

Christian Mohrenstecher
Phone +41 76 444 57 93
christian.mohrenstecher@angst-pfister.com

Accelerometers
Sensor elements

Christoph Kleye
Phone +49 89 374 288 87 61
christoph.kleye@angst-pfister.com

Harald Thomas
Phone +49 89 374 288 87 23
harald.thomas@angst-pfister.com

Experts on Design-In
for sensors and power solutions