



EH 80 C / P / PG / K

BLIND / THROUGH HOLLOW SHAFT INCREMENTAL ENCODER

MAIN FEATURES

∅ 80 mm encoder series recommended in feedback control systems on AC servomotors.

- 3 channel encoder (A / B / Z) up to 2048 ppr
- Power supply up to +30 V DC with several electric interfaces available
- Up to 105 kHz output frequency
- Cable output, connector available on cable end
- Through or blind hollow shaft diameter up to 15 mm
- Shaft fixing by grain or collar clamping



ORDERING CODE

EH80	C	500	S	5	L	8	X	6	PR	.XXX
SERIES incremental encoder EH80										
MODEL blind hollow shaft C through hollow shaft P through hollow shaft with collar clamping PG blind hollow shaft with rear fixing K										
RESOLUTION ppr from 1 to 2048 see table for pulses availability										
ZERO PULSE without zero pulse S with zero pulse Z										
POWER SUPPLY (with L electrical interface) 5 V DC 5 5 ... 28 V DC 5/28										
ELECTRICAL INTERFACE NPN open collector C push-pull P line driver L power supply 5/28V - output RS-422 RS										
BORE DIAMETER (mod. C - P) mm 8 mm 10 (mod. C - P) mm 12 (mod. C - P - PG) mm 14 (mod. C - P - PG) mm 15										
ENCLOSURE RATING IP 54 X										
MAX ROTATION SPEED (mod. P - PG) 3000 rpm 3 (mod. C - K) 6000 rpm 6										
OUTPUT TYPE radial (standard length 0.3 m) PR preferred cable lengths 1.5 / 2 / 3 / 5 / 10 m, to be added after OUTPUT TYPE (eg. PR5)										
VARIANT custom version XXX										



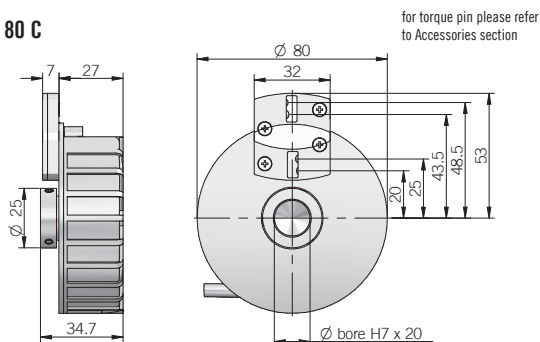
© Copyright 2018 Eltra S.p.a. Unipersonale. All rights reserved. All informations in this catalog are subject to change without notice. Eltra takes no responsibility for typographic errors. For the terms of sales please check the website. REV. 170911

86

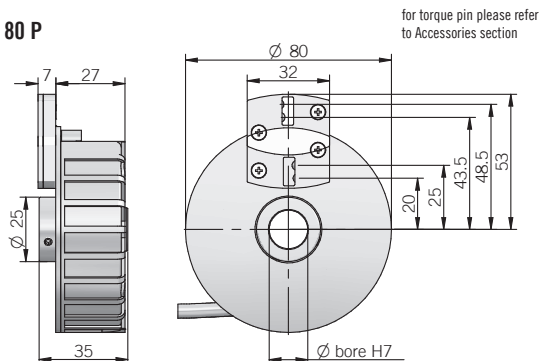
30 1985 - 2015
eltra@eltra.it | www.eltra.it

OPTICAL HOLLOW SHAFT INCREMENTAL ENCODERS | EH 80 C / P / PG / K

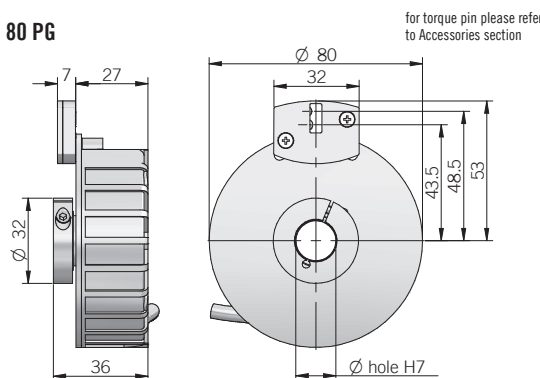
80 C



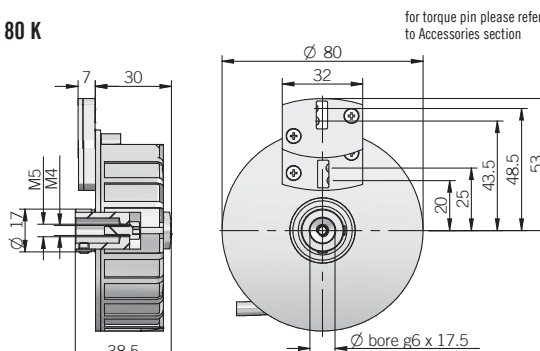
80 P



80 PG



80 K



dimensions in mm

ELECTRICAL SPECIFICATIONS

Resolution	from 1 to 2048 ppr
Power supply	5 = 4,5 ... 5,5 V DC 5/28 = 4,5 ... 30 V DC (reverse polarity protection)
Power draw without load	800 mW max
Max load current	20 mA / channel
Output type*	NPN open collector (AEIC-7273, pull-up max +30 V DC) push-pull / line driver HTL (AEIC-7272) line driver RS-422 (AELT-5000 or equivalent)
Max output frequency	105 kHz
Counting direction	A leads B clockwise (shaft view)
Electromagnetic compatibility	according to 2014/30/EU directive
RoHS	according to 2011/65/EU directive
UL / CSA	certificate n. E212495

* for further details please see OUTPUT LEVELS under TECHNICAL BASICS section

MECHANICAL SPECIFICATIONS

Bore diameter	ø 8 / 10 / 12 / 14 / 15 mm
Enclosure rating	IP 54 (IEC 60529)
Max rotation speed	3000 rpm (mod.P / PG) 6000 rpm (mod.C / K)
Shock	50 G, 11 ms (IEC 60068-2-27)
Vibration	20 G, 10 ... 2000 Hz (IEC 60068-2-6)
Moment of inertia	4 x 10 ⁻⁶ kgm ² (95 x 10 ⁻⁶ lbf ²)
Starting torque (at +20°C / +68°F)	< 0,04 Nm (5,66 Ozin)
Bearing stage material	PA66 glass fiber reinforced
Shaft material	EN-AW 2011 aluminum (mod. C / K) 1.4305 / AISI 303 stainless steel (mod.P / PG)
Housing material	PA66 glass fiber reinforced
Bearings	2 ball bearings
Bearings life	10 ⁹ revolutions
Operating temperature	-20° ... +85 °C (-4° ... +185°F) -20° ... +100°C (-4° ... +212°F) on demand
Storage temperature	-25° ... +85 °C (-13° ... +185°F)
Fixing torque for grub screws	max 0,75 Nm (106 Ozin)
Fixing torque for collar clamping	1 Nm recommended (142 Ozin)
Weight	250 g (8,82 oz)

CONNECTIONS

Function	Cable C / P	Cable L / RS
+V DC	red	red
0 V	black	black
Ch. A	green	green
Ch. A-	/	brown
Ch. B	yellow	yellow
Ch. B-	/	orange
Ch. Z	blue	blue
Ch. Z-	/	white
⊥	shield	shield

RESOLUTIONS

1 - 2 - 4 - 5 - 10 - 25 - 30 - 50 - 60 - 100* - 200 - 250 - 256 - 360 - 400 - 500 - 512 - 600 - 1000 - 1024 - 2000 - 2048

*available only without zero pulse
please directly contact our offices for other pulses, preferred resolutions in bold



© Copyright 2018 Eltra S.p.a. Unipersonale. All rights reserved. All informations in this catalog are subject to change without notice. Eltra takes no responsibility for typographic errors. For the terms of sales please check the website. REV. 170911

30 1985-2015
eltra@eltra.it | www.eltra.it

Headquarter Switzerland:
Angst+Pfister Sensors and Power AG

Thurgauerstrasse 66
CH-8050 Zurich
Phone +41 44 877 35 00
sensorsandpower@angst-pfister.com

Office Germany:
Angst+Pfister Sensors and Power
Deutschland GmbH
Edisonstraße 16
D-85716 Unterschleißheim
Phone +49 89 374 288 87 0
sensorsandpower.de@angst-pfister.com



We are here for you. Addresses and Contacts.

Sales Germany & Austria

Geometrical sensors
Other products

Kurt Stritzelberger
Phone +49 89 374 288 87 22
kurt.stritzelberger@angst-pfister.com

Pressure sensors
Other products

Gerhard Vetter
Phone +49 89 374 288 87 26
gerhard.vetter@angst-pfister.com

Gas sensors and modules

Peter Felder
Phone +41 44 877 35 05
peter.felder@angst-pfister.com

Sales Switzerland & Liechtenstein

Postcode 3000 – 9999

Basil Frei
Phone +41 44 877 35 18
basil.frei@angst-pfister.com

Postcode 1000 – 2999

Christian Mohrenstecher
Phone +41 76 444 57 93
christian.mohrenstecher@angst-pfister.com

Sales International Key Accounts

Peter Felder
Phone +41 44 877 35 05
peter.felder@angst-pfister.com

Sales Other Countries / Product Management

Pressure Sensors
Load Cells

Philipp Kistler
Phone +41 44 877 35 03
philipp.kistler@angst-pfister.com

Gas sensors
Gas sensor modules

Dr. Thomas Clausen
Phone +49 89 374 288 87 24
thomas.clausen@angst-pfister.com

Flow / Level / Medical products

Dr. Adriano Pittarelli
Phone +49 89 374 288 87 67
adriano.pittarelli@angst-pfister.com

Power supplies

Sebastiano Leggio
Phone +41 44 877 35 06
sebastiano.leggio@angst-pfister.com

Linear position sensors
Angle sensors

Eric Letsch
Phone +41 44 877 35 14
eric.letsch@angst-pfister.com

Accelerometers
Sensor elements

Christoph Kleye
Phone +49 89 374 288 87 61
christoph.kleye@angst-pfister.com

Drive technology
CH Postcode 5000 – 9999 / DE

Roman Homa
Phone +41 76 444 00 86
roman.homa@angst-pfister.com

Drive technology
CH Postcode 1000 – 4999 / AT / IT / FR

Christian Mohrenstecher
Phone +41 76 444 57 93
christian.mohrenstecher@angst-pfister.com

Harald Thomas
Phone +49 89 374 288 87 23
harald.thomas@angst-pfister.com