

MANUAL TYPE

UFO Model



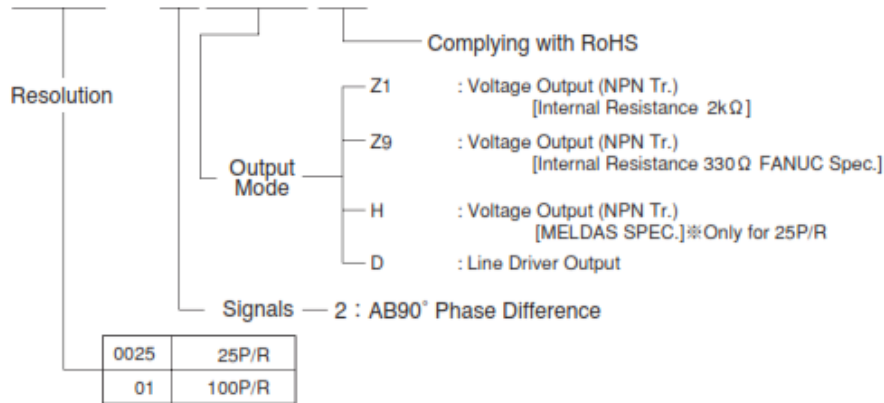
Compact & Very Thin

- Suitable for Thin Type Operator Panel.
- Click Mechanism.

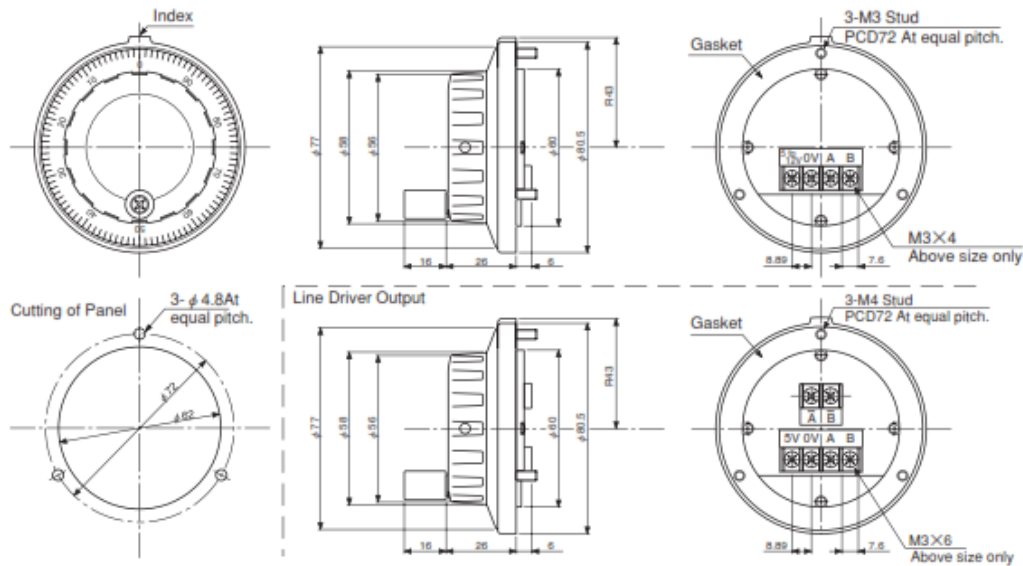
Model



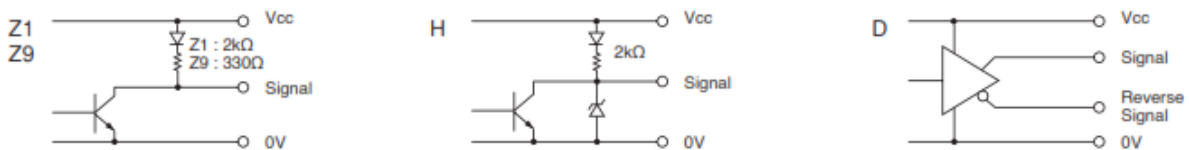
UFO-□□-2□□E



External Dimension



Output Circuit



UFO

Electrical Spec

| TYPE | | Z1 | Z9 | H | D |
|----------------------------|-------------------|------------------|-----------|------------|----------------|
| Power Supply(Vcc) | | DC+4.5V ~ +13.2V | DC+5V±10% | DC+12V±10% | DC+5V±5% |
| Current Consumption | | 50 mA Max | 70 mA Max | 50 mA Max | 150 mA Max |
| Resolution | | 100P/R · 25P/R | | 25P/R | 100P/R · 25P/R |
| Output Voltage | "H" | Vcc-1V Min | | +5V±10% | 2.5 V Min |
| | "L" ^{※1} | 0.5 V Max | | | |
| Maximum Frequency Response | | 5 kHz | | | |
| Rise & Fall Time | | 1 μs Max | | 1.5 μs Max | 200 ns Max |
| Maximum Sink Current | | 20 mA | | | |

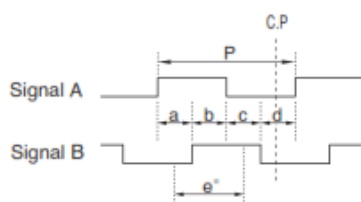
※1) at Maximum Sink Current

Wave Form

CW → Rotating Toward Clockwise Viewed from Front Side

$$P=1/\text{Resolution} \quad a,b,c,d=P/4 \pm P/6$$

2Z1 · 2Z9 · 2H

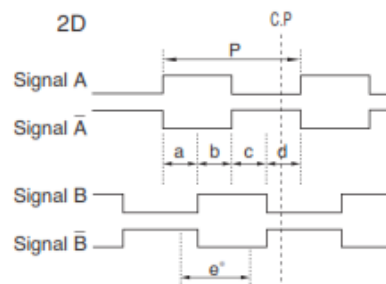


C.P=Click points

For mode 25P/R click point is at each position of a,b,c,d.

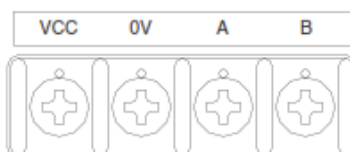
※Point "e" is recommended as the system switching timing.

2D

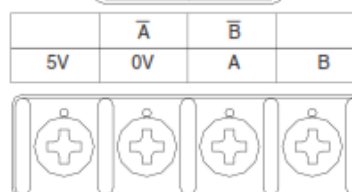


Electrical Connections

2Z1 · 2Z9 · 2H



2D



Mechanical Spec

| | | |
|---------------------------|---|-------|
| Starting Torque | 1.96×10 ⁻² N·m~5.88×10 ⁻² N·m | |
| Shaft Loading | Thrust | 9.8N |
| | Radial | 19.6N |
| Maximum Permissible Speed | 600min ⁻¹ (Instantaneous) 200min ⁻¹ (Continuous) | |
| Rotational Life | > 1 million rotations (200min ⁻¹) | |
| Net Weight | 200g Max | |

Environmental Spec

| | |
|-----------------------|---|
| Operating Temperature | -10°C~+60°C |
| Storage Temperature | -20°C~+70°C |
| Humidity | RH 85% Max No Condensation |
| Vibration | 10~55 Hz / 1.5mm X, Y, Z Each 2h |
| Shock | 490m/s ² , 11ms X, Y, Z Each 3 times |
| Ingress Protection | IP64(Panel Mounting) |

Headquarter Switzerland:
Angst+Pfister Sensors and Power AG

Thurgauerstrasse 66
CH-8050 Zurich
Phone +41 44 877 35 00
sensorsandpower@angst-pfister.com

Office Germany:
Angst+Pfister Sensors and Power
Deutschland GmbH
Edisonstraße 16
D-85716 Unterschleißheim
Phone +49 89 374 288 87 0
sensorsandpower.de@angst-pfister.com



We are here for you. Addresses and Contacts.

Sales Germany & Austria

Geometrical sensors
Other products

Kurt Stritzelberger
Phone +49 89 374 288 87 22
kurt.stritzelberger@angst-pfister.com

Pressure sensors
Other products

Gerhard Vetter
Phone +49 89 374 288 87 26
gerhard.vetter@angst-pfister.com

Gas sensors and modules

Peter Felder
Phone +41 44 877 35 05
peter.felder@angst-pfister.com

Sales Switzerland & Liechtenstein

Postcode 3000 – 9999

Basil Frei
Phone +41 44 877 35 18
basil.frei@angst-pfister.com

Postcode 1000 – 2999

Christian Mohrenstecher
Phone +41 76 444 57 93
christian.mohrenstecher@angst-pfister.com

Sales International Key Accounts

Peter Felder
Phone +41 44 877 35 05
peter.felder@angst-pfister.com

Sales Other Countries / Product Management

Pressure Sensors
Load Cells

Philipp Kistler
Phone +41 44 877 35 03
philipp.kistler@angst-pfister.com

Gas sensors
Gas sensor modules

Dr. Thomas Clausen
Phone +49 89 374 288 87 24
thomas.clausen@angst-pfister.com

Flow / Level / Medical products

Dr. Adriano Pittarelli
Phone +49 89 374 288 87 67
adriano.pittarelli@angst-pfister.com

Power supplies

Sebastiano Leggio
Phone +41 44 877 35 06
sebastiano.leggio@angst-pfister.com

Linear position sensors
Angle sensors

Eric Letsch
Phone +41 44 877 35 14
eric.letsch@angst-pfister.com

Accelerometers
Sensor elements

Christoph Kleye
Phone +49 89 374 288 87 61
christoph.kleye@angst-pfister.com

Drive technology
CH Postcode 5000 – 9999 / DE

Roman Homa
Phone +41 76 444 00 86
roman.homa@angst-pfister.com

Drive technology
CH Postcode 1000 – 4999 / AT / IT / FR

Christian Mohrenstecher
Phone +41 76 444 57 93
christian.mohrenstecher@angst-pfister.com

Harald Thomas
Phone +49 89 374 288 87 23
harald.thomas@angst-pfister.com