

## Description

The **S6** series high resolution optical shaft encoder is a non-contacting rotary to digital converter. Useful for position feedback or manual interface, the encoder converts real-time shaft angle, speed, and direction into TTL-compatible quadrature outputs with or without index. The encoder utilizes an unbreakable mylar disk, metal shaft and bushing, LED light source, and monolithic electronics. It operates from a single +5VDC supply.

Three shaft torque versions are available. The standard torque version has a sleeve bushing lubricated with a viscous motion control gel to provide torque and feel that is ideal for front panel human interface applications.

The no torque added option has a sleeve bushing and a low viscosity lubricant (that does not intentionally add torque) for low RPM applications where a small amount of torque is acceptable.

The ball bearing version uses miniature precision ball bearings that are suitable for high speed and ultra low torque applications.

A secure connection to the **S6** series encoder is made through a 5-pin (single-ended version) or 10-pin (differential version) finger-latching connector (sold separately). The mating connectors are available from US Digital with several cable options and lengths.

For differential version: the internal differential line driver (26C31) can source and sink 20mA at TTL levels. The recommended receiver is industry standard 26C32. Maximum noise immunity is achieved when the differential receiver is terminated with a 150  $\Omega$  resistor in series with a .0047  $\mu$  F capacitor placed across each differential pair. The capacitor simply conserves power; otherwise power consumption would increase by approximately 20mA per pair, or 60mA for 3 pairs.

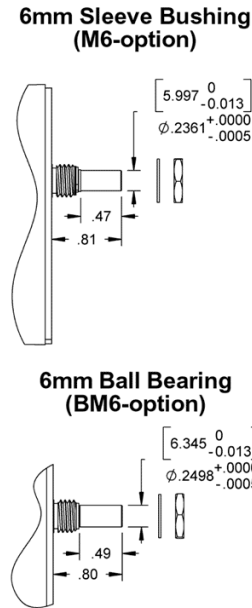
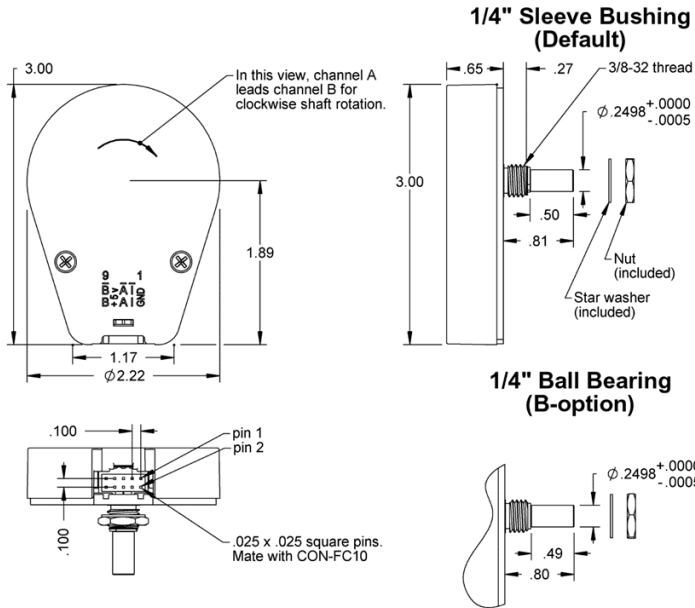


## Features

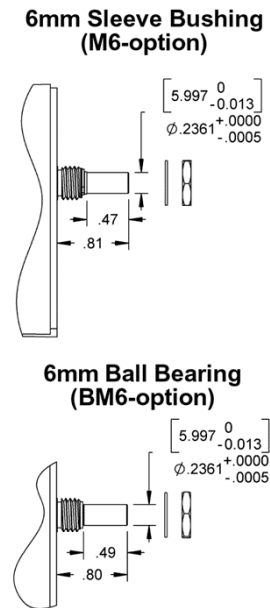
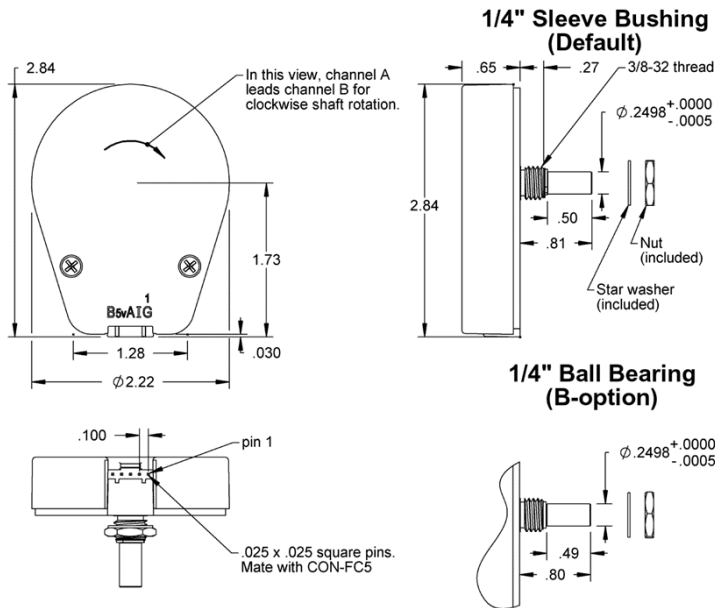
- Small size
- Optional differential / line-driver output
- Positive finger-latching connector
- 2-channel quadrature, TTL squarewave outputs
- 3rd channel index option
- Ball bearing option tracks to 10,000 RPM
- -40C to +100C operating temperature
- Single +5VDC supply

Rev. 141006202055

**Differential**



**Single-Ended**



Rev. 141006202055

## Environmental

Parameter	Value	Units
Operating Temperature (CPR < 3600)	-40 to 100	C
Operating Temperature (CPR ≥ 3600)	-25 to 100	C
Vibration (5Hz to 2kHz)	20	G
Electrostatic Discharge, Human Body Model	± 4	kV

## Mechanical

Parameter	Sleeve Bushing	Ball Bearing
Max. Acceleration	250000 rad/sec <sup>2</sup>	250000 rad/sec <sup>2</sup>
Max. Shaft Speed	100 rpm	10000 rpm
Max. Shaft Torque	0.5 ± 0.2 in-oz 0.3 in-oz ( <b>N</b> -option)	0.05 in-oz
Max. Shaft Loading	2 lbs. dynamic 20 lbs. static	1 lb.
Bearing Life	> 1000000 revolutions	$L_{10} = (19.3/F_r)^3$ * Where $L_{10}$ = bearing life in millions of revs, and $F_r$ = radial shaft loading in pounds
Weight		
Single-ended	1.92 oz.	1.78 oz.
Differential	2.00 oz.	1.86 oz.
Max. Shaft Total Indicated Runout	0.0015 in.	0.0015 in.
Max. Panel Nut Tightening Torque	20 in-lbs	20 in-lbs
	<a href="#">Technical Bulletin TB1001 - Shaft and Bore Tolerances</a>	<a href="#">Download</a>

\* only valid with negligible axial shaft loading.

## Phase Relationship

B leads A for clockwise shaft rotation, and A leads B for counterclockwise rotation viewed from the shaft side of the encoder (*see the EM1 page*).

## Single-ended Electrical

- Specifications apply over entire operating temperature range.
- Typical values are specified at  $V_{cc} = 5.0V_{dc}$  and 25 ° C.
- For complete details, see the EM1 and EM2 product pages.

Rev. 141006202055

Parameter	Min.	Typ.	Max.	Units	Conditions
Supply Voltage	4.5	5.0	5.5	V	
Supply Current		27	33	mA	CPR < 1000, no load
		54	62	mA	CPR ≥ 1000 and < 3600, no load
		72	85	mA	CPR ≥ 3600, no load
Low-level Output			0.5	V	IOL = 8mA max., CPR < 3600
			0.5	mA	IOL = 5mA max., CPR ≥ 3600
		0.05		mA	no load, CPR < 3600
		0.25		mA	no load, CPR ≥ 3600
High-level Output	2.0			V	IOH = -8mA max., CPR < 3600
	2.0			V	IOH = -5mA max., CPR ≥ 3600
		4.8		V	no load, CPR < 3600
		3.5		V	no load, CPR ≥ 3600
Output Current Per Channel	-8		8	mA	CPR < 3600
	-5		5	mA	CPR ≥ 3600
Output Rise Time		110		nS	CPR < 3600
		50		nS	CPR ≥ 3600
Output Fall Time		35		nS	CPR < 3600
		50		nS	CPR ≥ 3600

## Differential Electrical

- Specifications apply over entire operating temperature range.
- Typical values are specified at Vcc = 5.0Vdc and 25 ° C.
- For complete details, see the EM1 and EM2 product pages.

Parameter	Min.	Typ.	Max.	Units	Conditions
Supply Voltage	4.5	5.0	5.5	V	
Supply Current		29	36	mA	CPR < 1000, no load
		57	65	mA	CPR ≥ 1000 and < 3600, no load
		72	85	mA	CPR ≥ 3600, no load
Low-level Output		0.2	0.4	V	IOL = 20mA max.
High-level Output	2.4	3.4		V	IOH = -20mA max.
Differential Output Rise/Fall Time			15	nS	

## Pin-outs

Rev. 141006202055

**5-pin Single-ended: (1)**

Pin	Description
1	Ground
2	Index
3	A channel
4	+5VDC power
5	B channel

**10-pin Differential Standard: (2)**

Pin	Description
1	Ground
2	Ground
3	Index-
4	Index+
5	A- channel
6	A+ channel
7	+5VDC power
8	+5VDC power
9	B- channel
10	B+ channel

- (1) 5-pin single-ended mating connector is CON-FC5.  
 (2) 10-pin differential mating connector is CON-FC10.

Rev. 141006202055

## Ordering Information

<b>S6</b> -	<input type="text"/>	-	<input type="text"/>	-	<input type="text"/>	-	<input type="text"/>	-	<input type="text"/>
	<b>CPR</b>		<b>Shaft</b>		<b>Index</b>		<b>Output</b>		<b>Torque</b>
	64 =		236 =Metric 6mm diameter shaft		NE =No Index		S =Single-ended		D =Default
	1000 =		250 = 1/4" diameter		IE =Index		D =Differential		B =Ball Bearing
	1024 =								N =No Torque Added
	1800 =								
	2000 =								
	2048 =								
	2500 =								
	3600 =								
	4000 =								
	4096 =								
	5000 =								
	7200 =								
	8000 =								
	8192 =								
	10000 =								

## Notes

- Cables and connectors are not included and must be ordered separately.
- For ordering information please see the Compatible Cables / Connectors section above.
- US Digital warrants its products against defects in materials and workmanship for two years. See complete warranty for details.

Rev. 141006202055

## We are here for you. Addresses and Contacts.

---

### Headquarter Switzerland:

Angst+Pfister Sensors and Power AG  
Thurgauerstrasse 66  
CH-8050 Zurich  
Phone +41 44 877 35 00  
[sensorsandpower@angst-pfister.com](mailto:sensorsandpower@angst-pfister.com)

### Office Germany:

Angst+Pfister Sensors and Power Deutschland GmbH  
Edisonstraße 16  
D-85716 Unterschleißheim  
Phone +49 89 374 288 87 00  
[sensorsandpower.de@angst-pfister.com](mailto:sensorsandpower.de@angst-pfister.com)

---

Scan here and get an overview of personal contacts!



[sensorsandpower.angst-pfister.com](https://sensorsandpower.angst-pfister.com)

---