

Description

The **S5** series optical shaft encoder is a non-contacting rotary to digital converter. Useful for position feedback or manual interface, the encoder converts real-time shaft angle, speed, and direction into TTL-compatible quadrature outputs with or without index. The encoder utilizes an unbreakable mylar disk, metal shaft and bushing, LED light source, and monolithic electronics. It operates from a single +5VDC supply.

Three shaft torque versions are available. The standard torque version has a sleeve bushing lubricated with a viscous motion control gel to provide torque and feel that is ideal for front panel human interface applications.

The no torque added option has a sleeve bushing and a low viscosity lubricant (that does not intentionally add torque) for low RPM applications where a small amount of torque is acceptable.

The ball bearing version uses miniature precision ball bearings that are suitable for high speed and ultra low torque applications.

A secure connection to the **S5** series encoder is made through a 5-pin (single-ended version) or 10-pin (differential version) finger-latching connector (sold separately). The mating connectors are available from US Digital with several cable options and lengths.

For differential version: the internal differential line driver (26C31) can source and sink 20mA at TTL levels. The recommended receiver is industry standard 26C32. Maximum noise immunity is achieved when the differential receiver is terminated with a 150 Ω resistor in series with a .0047 μ F capacitor placed across each differential pair. The capacitor simply conserves power; otherwise power consumption would increase by approximately 20mA per pair, or 60mA for 3 pairs.

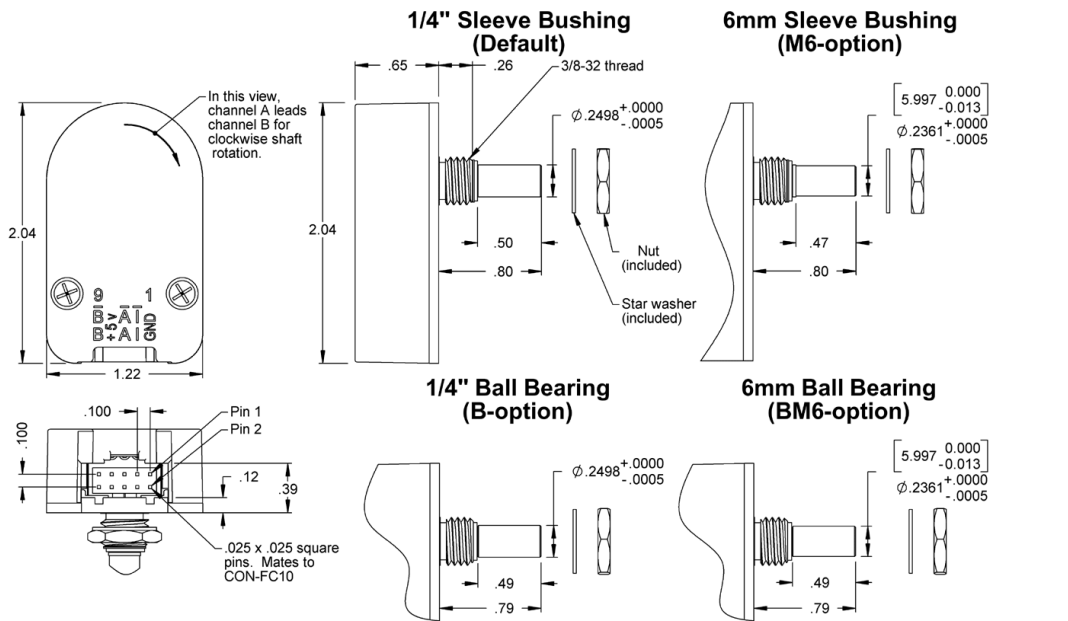


Features

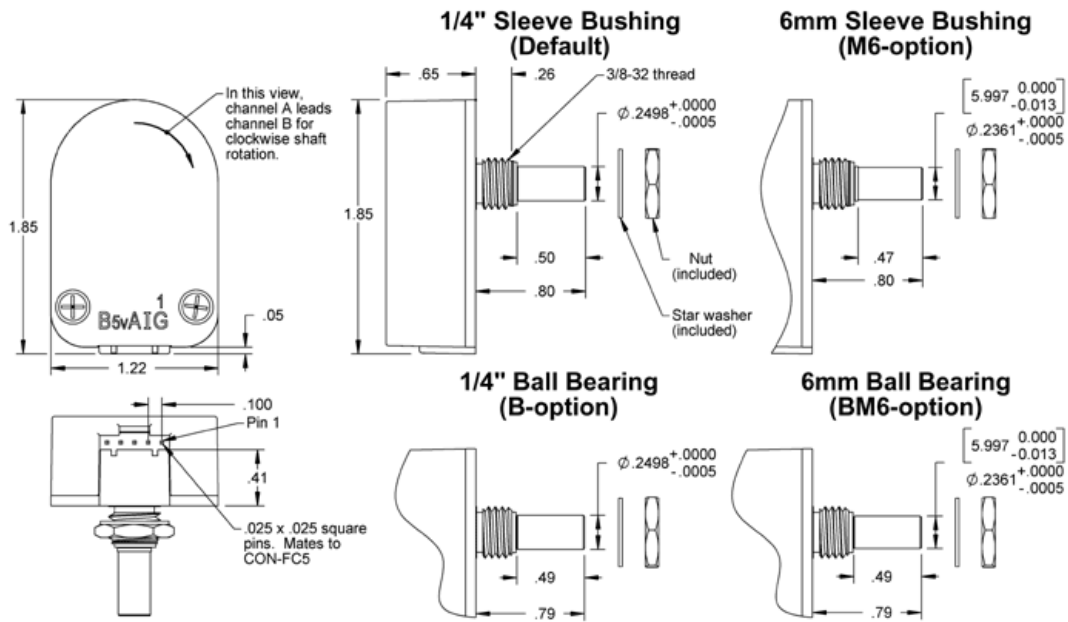
- Small size
- Low cost
- Optional differential / line-driver output
- Positive finger-latching connector
- 2-channel quadrature, TTL squarewave outputs
- 3rd channel index option
- Ball bearing option tracks to 10,000 RPM
- -25 to +100C operating temperature
- Single +5VDC supply

Rev. 140521125911

Differential



Single-Ended



Rev. 140521125911

Environmental

Parameter	Value	Units
Operating Temperature, CPR < 2000	-40 to 100	C
Operating Temperature, CPR ≥ 2000	-25 to 100	C
Vibration (5Hz to 2kHz)	20	G
Electrostatic Discharge, Human Body Model	± 4	kV

Mechanical

Parameter	Sleeve Bushing	Ball Bearing
Max. Acceleration	250000 rad/sec ²	250000 rad/sec ²
Max. Shaft Speed	100 rpm	10000 rpm
Max. Shaft Torque	0.5 ± 0.2 in-oz 0.3 in-oz (N -option)	0.05 in-oz
Max. Shaft Loading	2 lbs. dynamic 20 lbs. static	1 lb.
Bearing Life	> 1000000 revolutions	$L_{10} = (19.3/F_r)^3$ * Where L_{10} = bearing life in millions of revs, and F_r = radial shaft loading in pounds
Weight		
Single-ended	1.01 oz.	1.15 oz.
Differential	1.28 oz.	1.42 oz.
Max. Shaft Total Indicated Runout	0.0015 in.	0.0015 in.
Max. Panel Nut Tightening Torque	20 in-lbs	20 in-lbs
	Technical Bulletin TB1001 - Shaft and Bore Tolerances	Download

* only valid with negligible axial shaft loading.

Phase Relationship

B leads A for clockwise shaft rotation, and A leads B for counterclockwise rotation viewed from the shaft side of the encoder (see the EM1 page).

Single-ended Electrical

- Specifications apply over entire operating temperature range.
- Typical values are specified at $V_{cc} = 5.0V_{dc}$ and 25 ° C.
- For complete details, see the EM1 or EM2 product pages.

Rev. 140521125911

Parameter	Min.	Typ.	Max.	Units	Conditions
Supply Voltage	4.5	5.0	5.5	V	
Supply Current		27	33	mA	CPR < 500, no load
		54	62	mA	CPR ≥ 500 and <2000, no load
		72	85	mA	CPR ≥ 2000, no load
Low-level Output			0.5	V	IOL = 8mA max., CPR < 2000
			0.5	V	IOL = 5mA max., CPR ≥ 2000
		0.25		V	no load, CPR ≥ 2000
High-level Output	2.0			V	IOH = -8mA max. and CPR < 2000
	2.0			V	IOH = -5mA max. and CPR ≥ 2000
		4.8		V	no load and CPR < 2000
		3.5		V	no load and CPR ≥ 2000
Output Current Per Channel	-8		8	mA	CPR < 2000
	-5		5	mA	CPR ≥ 2000
Output Rise Time		110		nS	CPR < 2000
		50		nS	CPR ≥ 2000, ± 5mA load
Output Fall Time		100		nS	CPR < 2000
		50		nS	CPR ≥ 2000, ± 5mA load

Differential Electrical

- Specifications apply over entire operating temperature range.
- Typical values are specified at Vcc = 5.0Vdc and 25 ° C.
- For complete details, see the EM1 product page.

Parameter	Min.	Typ.	Max.	Units	Conditions
Supply Voltage	4.5	5.0	5.5	V	
Supply Current		29	36	mA	CPR < 500, no load
		57	65	mA	CPR ≥ 500 and < 2000, no load
		73	88	mA	CPR ≥ 2000, no load
Low-level Output		0.2	0.4	V	IOL = 20mA max.
High-level Output	2.4	3.4		V	IOH = -20mA max.
Differential Output Rise/Fall Time			15	nS	

Pin-outs

5-pin Single-ended: (1)

Pin	Description
1	Ground
2	Index
3	A channel
4	+5VDC power
5	B channel

10-pin Differential Standard: (2)

Pin	Description
1	Ground
2	Ground
3	Index-
4	Index+
5	A- channel
6	A+ channel
7	+5VDC power
8	+5VDC power
9	B- channel
10	B+ channel

- (1) 5-pin single-ended mating connector is CON-FC5.
(2) 10-pin differential mating connector is CON-FC10.

Rev. 140521125911

Ordering Information

CPR	Shaft	Index	Output	Torque
32 =	236 =Metric 6mm diameter shaft	NE =No Index	S =Single-ended	D =Default
50 =	250 = 1/4" diameter	IE =Index	D =Differential	B =Ball Bearing
96 =				N =No torque added
100 =				
192 =				
200 =				
250 =				
256 =				
360 =				
400 =				
500 =				
512 =				
540 =				
720 =				
900 =				
1000 =				
1024 =				
1250 =				
2000 =				
2048 =				
2500 =				
4000 =				
4096 =				
5000 =				

Notes

- Cables and connectors are not included and must be ordered separately.
- For ordering information please see the Compatible Cables / Connectors section above.
- US Digital warrants its products against defects in materials and workmanship for two years. See complete warranty for details.

Rev. 140521125911

Headquarter Switzerland:
Angst+Pfister Sensors and Power AG

Thurgauerstrasse 66
CH-8050 Zurich
Phone +41 44 877 35 00
sensorsandpower@angst-pfister.com

Office Germany:
Angst+Pfister Sensors and Power
Deutschland GmbH
Edisonstraße 16
D-85716 Unterschleißheim
Phone +49 89 374 288 87 0
sensorsandpower.de@angst-pfister.com



We are here for you. Addresses and Contacts.

Sales Germany & Austria

Geometrical sensors
Other products

Kurt Stritzelberger
Phone +49 89 374 288 87 22
kurt.stritzelberger@angst-pfister.com

Pressure sensors
Other products

Gerhard Vetter
Phone +49 89 374 288 87 26
gerhard.vetter@angst-pfister.com

Gas sensors and modules

Peter Felder
Phone +41 44 877 35 05
peter.felder@angst-pfister.com

Sales Switzerland & Liechtenstein

Postcode 3000 – 9999

Basil Frei
Phone +41 44 877 35 18
basil.frei@angst-pfister.com

Postcode 1000 – 2999

Christian Mohrenstecher
Phone +41 76 444 57 93
christian.mohrenstecher@angst-pfister.com

Sales International Key Accounts

Peter Felder
Phone +41 44 877 35 05
peter.felder@angst-pfister.com

Sales Other Countries / Product Management

Pressure Sensors
Load Cells

Philipp Kistler
Phone +41 44 877 35 03
philipp.kistler@angst-pfister.com

Gas sensors
Gas sensor modules

Dr. Thomas Clausen
Phone +49 89 374 288 87 24
thomas.clausen@angst-pfister.com

Flow / Level / Medical products

Dr. Adriano Pittarelli
Phone +49 89 374 288 87 67
adriano.pittarelli@angst-pfister.com

Power supplies

Sebastiano Leggio
Phone +41 44 877 35 06
sebastiano.leggio@angst-pfister.com

Linear position sensors
Angle sensors

Eric Letsch
Phone +41 44 877 35 14
eric.letsch@angst-pfister.com

Accelerometers
Sensor elements

Christoph Kleye
Phone +49 89 374 288 87 61
christoph.kleye@angst-pfister.com

Drive technology
CH Postcode 5000 – 9999 / DE

Roman Homa
Phone +41 76 444 00 86
roman.homa@angst-pfister.com

Drive technology
CH Postcode 1000 – 4999 / AT / IT / FR

Christian Mohrenstecher
Phone +41 76 444 57 93
christian.mohrenstecher@angst-pfister.com

Harald Thomas
Phone +49 89 374 288 87 23
harald.thomas@angst-pfister.com